



SERVICE BULLETIN

Classification: FE14-003b	Reference: NTB15-044b	Date: March 29, 2016
------------------------------	--------------------------	-------------------------

FUEL FILLER CAP TETHER CLIP SERVICE INFORMATION

This bulletin has been amended. The Applied Vehicles and Parts Information sections have been revised. Please discard previous versions.

<p>APPLIED VEHICLES:</p> <ul style="list-style-type: none"> 2009-2016 370Z Coupe (Z34) 2010-2016 370Z Roadster (Z34) 2013-2016 Altima (L33) 2012-2015 Armada (TA60) 2012-2016 Frontier (D40) 2009-2016 GT-R (R35) 2011-2016 Juke (F15) 2012-2014 Maxima (A35) 2016 Maxima (A36) 2009-2014 Murano (Z51) 2015-2016 Murano (Z52) 2011-2014 Murano CrossCabriolet (Z51) 2013-2016 NV200 (M20) 	<ul style="list-style-type: none"> 2012-2016 NV (F80) 2013-2016 Pathfinder (R52) 2014 Pathfinder Hybrid (R52) 2011-2016 Quest 2014-2016 Rogue (T32) 2014-2015 Rogue Select (S35) 2013-2016 Sentra (B17) 2014-2016 Taxi 2012-2015 Titan (A60) 2016 Titan XD (A61) 2012-2016 Versa Sedan (N17) 2014-2016 Versa NOTE (E12) 2012-2015 Xterra (N50)
---	---

SERVICE INFORMATION

If the clip for the fuel filler cap tether becomes lost or is detached for any reason, it is no longer necessary to replace the fuel filler cap.

The clip or "pin" is now available as a separate service part. See Figure 1.

NOTE: Do not replace the fuel filler cap if only the pin is needed.



Figure 1
Example of pin. Your vehicle's pin may differ.

Nissan Bulletins are intended for use by qualified technicians, not 'do-it-yourselfers'. Qualified technicians are properly trained individuals who have the equipment, tools, safety instruction, and know-how to do a job properly and safely. **NOTE:** If you believe that a described condition may apply to a particular vehicle, DO NOT assume that it does. See your Nissan dealer to determine if this applies to your vehicle.

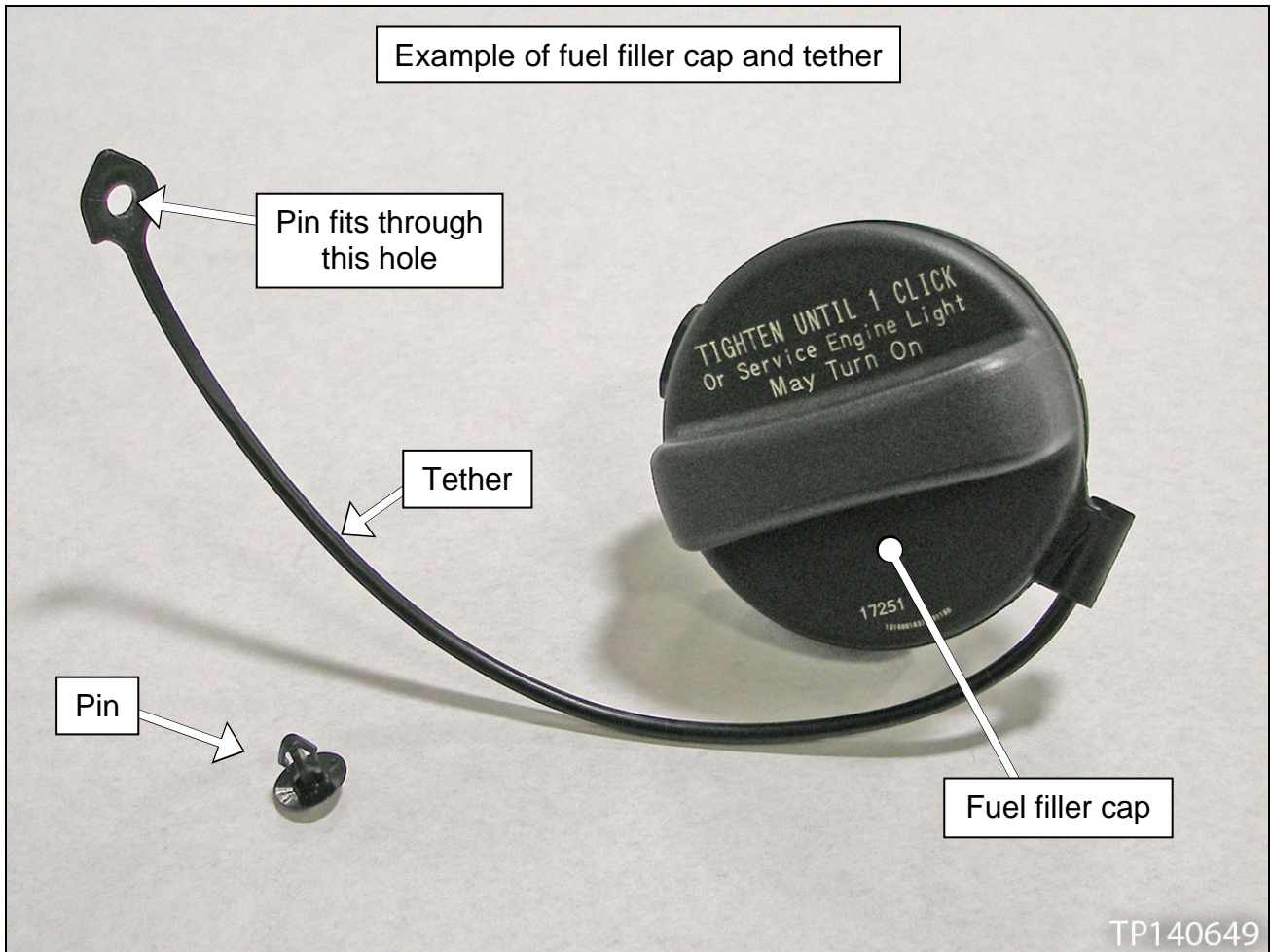


Figure 2

SERVICE PROCEDURE

1. Remove the pin if still mounted to the body or fuel door.
 - Figure 3 shows an example of pin location. Pin location on your vehicle may differ.
 - Use "Trim Tool Set" J-46534 or suitable tool.

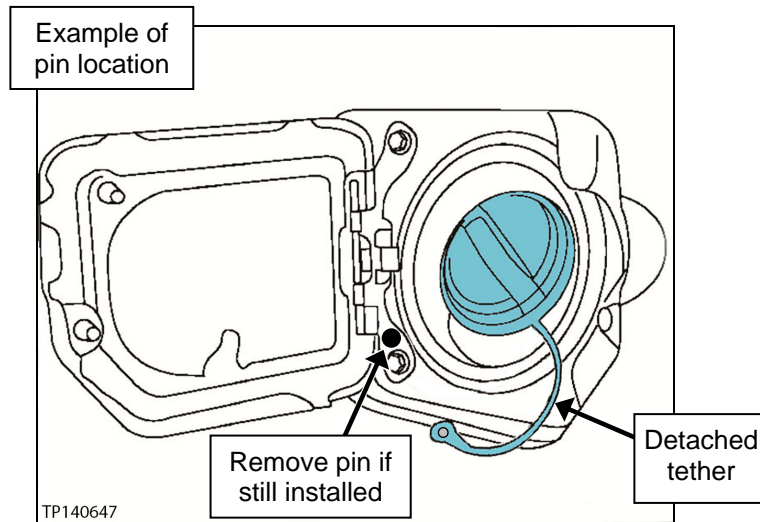


Figure 3

2. Attach the small end of the tether with the new pin (see Figure 4).
 - Make sure the tether is NOT twisted.
 - Push the pin through the small hole of the tether and into the body or fuel door with your thumb.

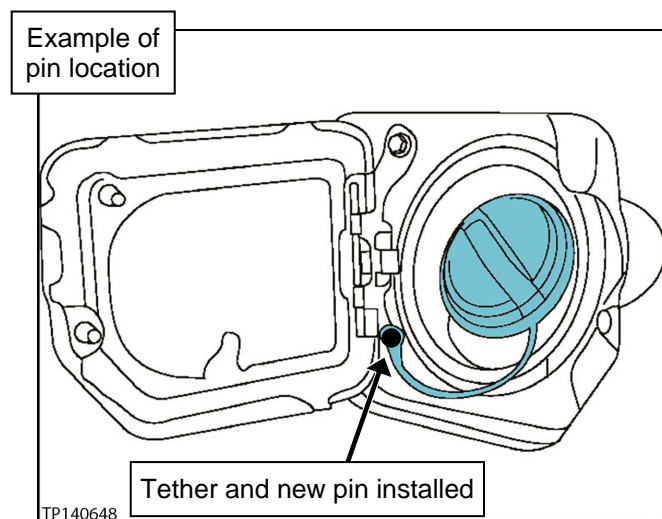


Figure 4

PARTS INFORMATION

MODEL	DESCRIPTION	PART NUMBER	QUANTITY
2012-2016 Versa Sedan	CLIP (pin)	17571-9BD0B	1
2014-2016 Versa NOTE			
2013-2016 Altima			
2012-2014 Maxima			
2016 Maxima			
2014-2016 Rogue (T32)			
2013-2016 Pathfinder			
2014 Pathfinder Hybrid			
2012-2016 Frontier (King Cab and Crew Cab LWB)			
2015-2016 Murano			
2012-2016 Frontier (Crew Cab SWB)	CLIP (pin)	17571-9EG0C	1
2012-2015 Xterra			
2012-2015 Titan			
2012-2016 NV (F80)			
2012-2015 Armada	CLIP (pin)	17571-ZZ60C	1
2013-2016 NV200			
2014-2016 Taxi			
2009-2014 Murano	CLIP (pin)	17571-ZH00A	1
2011-2014 Murano CrossCabriolet			
2011-2016 Quest			
2011 Juke			
2014-2015 Rogue Select	CLIP (pin)	17571-4HA0A	1
2015-2016 370Z Coupe and Roadster			
2015-2016 GT-R			
2015-2016 Juke			
2011-2014 370Z Coupe and Roadster	CLIP (pin)	17429-1BB0A	1
2012-2014 Juke			
2009-2010 370Z Coupe	CLIP (pin)	17571-ZP50B	1
2010 370Z Roadster			
2009-2014 GT-R	CLIP (pin)	17571-EJ70A	1
2013-2016 Sentra	CLIP (pin)	17571-9EG0C	1
2016 Titan XD (Diesel)	CLIP (pin)	17571-EZ40B	1

CLAIMS INFORMATION

Submit a Primary Part (PP) type line claim using the following claims coding:

DESCRIPTION	PFP	OP CODE	SYM	DIA	FRT
Replace Fuel Cap Tether Clip	(1)	FX50AA	ZE	32	0.2

(1) Refer to the **PARTS INFORMATION** table and use the appropriate P/N as the PFP.

