

© 2016 Mazda Motor of America, Inc.

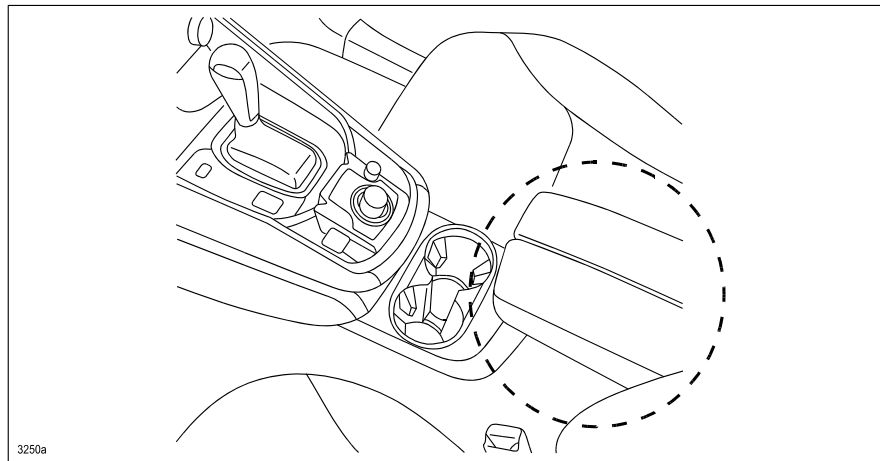
Subject: 2016 CX-9 - CENTER CONSOLE LID RATTLES WHEN DRIVING ON ROUGH ROADS	Bulletin No: 09-052/16
	Last Issued: 10/06/2016

APPLICABLE MODEL(S)/VINS

2016 CX-9 vehicles with VINs lower than JM3TC*****114518 (produced before July 18, 2016)

DESCRIPTION

Some vehicles may exhibit a rattling noise from the center console lid while driving on rough roads or when an occupant leans onto the arm rest. Due to variations in the assembly and parts dimensions, some center console lids have play beyond the specifications, which causes a rattling noise. Urethane pads have been attached to the hinge arm of the center console lids to eliminate the noise.

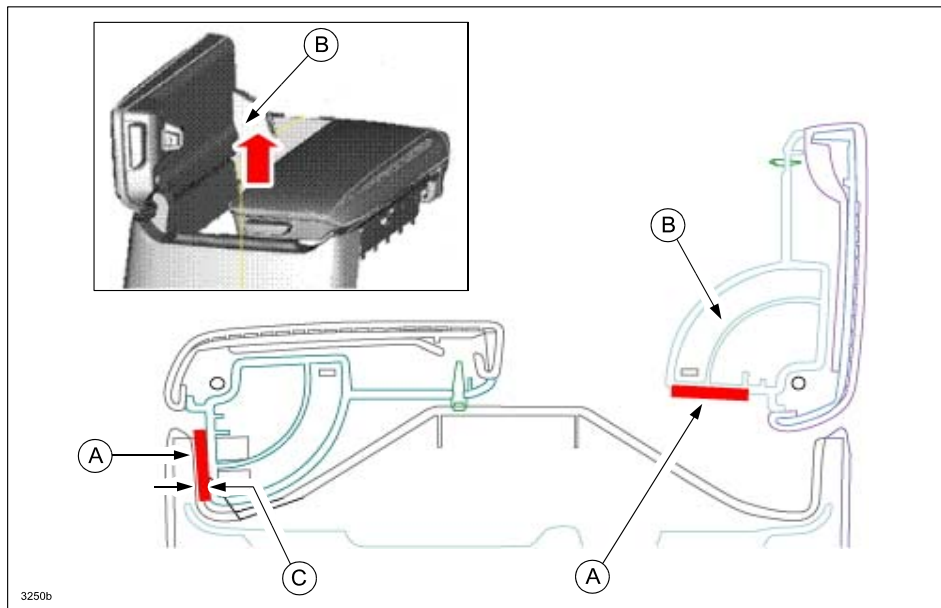


Customers having this concern should have their vehicle repaired using the following repair procedure.

CONSUMER NOTICE: The information and instructions in this bulletin are intended for use by skilled technicians. Mazda technicians utilize the proper tools/equipment and take training to correctly and safely maintain Mazda vehicles. These instructions should not be performed by "do-it-yourselfers." Customers should not assume this bulletin applies to their vehicle or that their vehicle will develop the described concern. To determine if the information applies, customers should contact their nearest authorized Mazda dealership. Mazda North American Operations reserves the right to alter the specifications and contents of this bulletin without obligation or advance notice. All rights reserved. No part of this bulletin may be reproduced in any form or by any means, electronic or mechanical---including photocopying and recording and the use of any kind of information storage and retrieval system ---without permission in writing.

REPAIR PROCEDURE

1. Verify the customer concern.
2. Open both center console lids.
3. Degrease the hinge arms (B) where the urethane pads (A) will be attached.
4. Peel off the backing film from the urethane pads (20 x 8 x 4 mm), then attach them to each hinge arm as shown below.



NOTE: The normal clearance when the lid is closed is 2 mm. Attaching the urethane pad decreases the clearance (C) and restricts rattling.

5. Verify the repair.

PART(S) INFORMATION

Part Number	Description	Qty.	Notes
TKY0-55-179	Urethane Pad	2	Size: 20 x 8 x 4 mm

WARRANTY INFORMATION

NOTE:

- This warranty information applies only to verified customer complaints on vehicles eligible for warranty repair.
- This repair will be covered under Mazda's New Vehicle Limited Warranty term.
- Additional diagnostic time cannot be claimed for this repair.
- This TSB can be performed by D329 Mazda Certified Lube Technicians.

Warranty Type	A
Symptom Code	82
Damage Code	97
Part Number Main Cause	****-64-450-*** (Console Lid)
Quantity	0
Related Part Number	TKY0-55-179
Quantity	2
Operation Number / Labor Hours:	XXM68XRX / 0.2 Hrs.
TSB can be performed by D329 Mazda Certified Lube Technicians:	Yes

NOTE: Check the GEPC for the correct Console Lid part number for the subject vehicle.