



Maserati Technical Bulletin

Date: August 19th, 2016
Bulletin No. MAS000863 Special Tools for
Levante (M161)
Supersedes: NA
Section: Engine

MASERATI

MODEL: Levante (M161)

SUBJECT: Special Tools

DATE: August 19th, 2016

DESCRIPTION

For your information, 1 set of the mandatory special tools needed for service and maintenance of the Levante will automatically be sent to each Dealer. These tools will arrive in several different shipments as they become available. The tools and part numbers are listed below in the event you want to order additional tools.

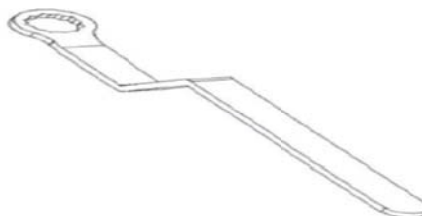
- 900028636 – Socket for rear differential bolts. Used to torque the bolts on the axles of the rear differential.



- 900028637 – Tool for front differential seal installation.



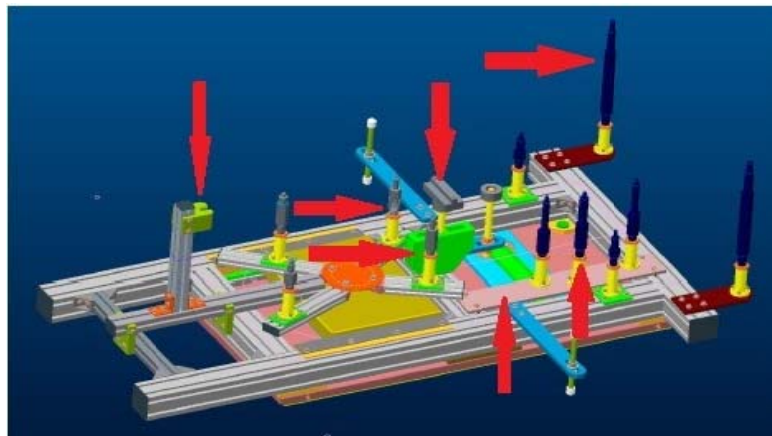
- 900028638 – Rear camber adjustment tool. Used to turn the rear camber adjustment bolt and to hold the bolt in place when using a torque wrench.



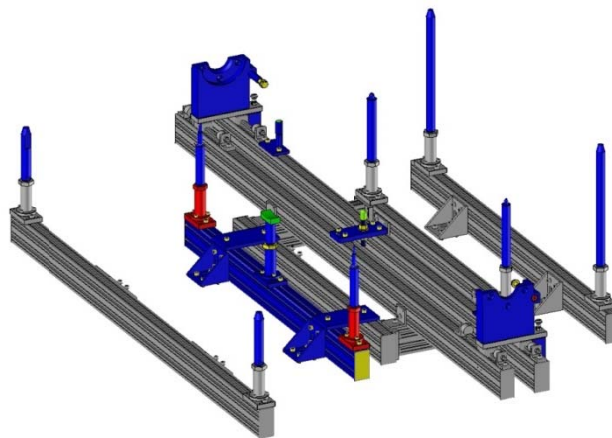
- 900000472 – Tool for camber adjustment bolt. Used along with the wrench p/n: 900028638 to torque the camber bolts.



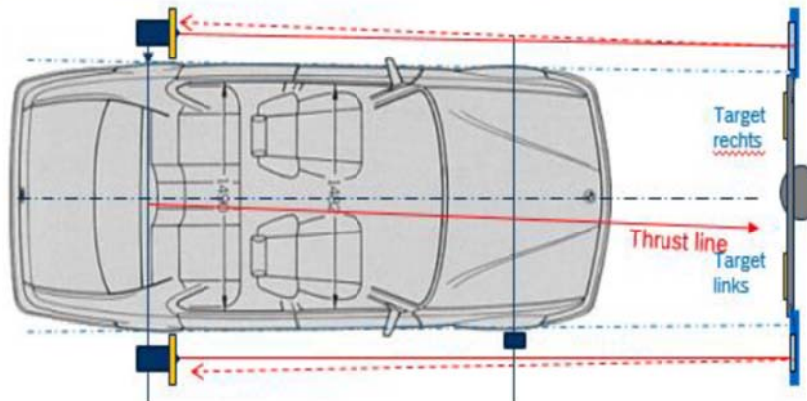
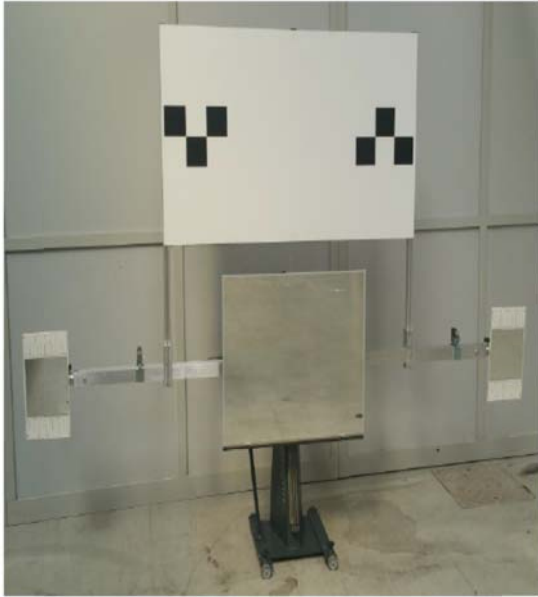
- 900000477 - Upgrade kit (aligning pins, red arrows below) for engine/gearbox removal support frame.



- 900000478 - Upgrade kit (aligning pins, shown in blue below) for rear chassis assembly (sub-frame) removal support frame.



- 900000482 – Radar and camera calibration tool kit. This tool is used to calibrate the radar sensor and vehicle cameras.



- 900000483 – Bodywork protection cover kit. This kit can also be used on M156 and M157 with different rear fender and rear door covers (as shown below), which are included in this kit.



- 900000473 – Air line connection valve for refilling the rear air suspension system.



If you have any questions, please contact your ABM or Maserati Technical Support.

Nicola Rosciano
Manager Technical Support
Maserati North America, Inc.

Luis Sanchez
Technical Director
Maserati North America, Inc.