



# Technical Journal

TITLE:

**Dash absorber insulation, Damp or bad smell**

<b>REF NO:</b> TJ 32040.1.0	<b>ISSUING DEPARTMENT:</b> Technical Service	<b>CAR MARKET:</b> United States and Canada	
<b>PARTNER:</b> 3 US 7510 Volvo Car USA		<b>ISSUE DATE:</b> 2016-11-07	<b>STATUS DATE:</b> 2016-11-16
<b>FUNC GROUP:</b> 8700	<b>FUNC DESC:</b> Air conditioning unit	<b>Page 1 of 22</b>	

“Right first time in Time”

## Attachment

File Name	File Size
TJI-497457-2_1_2_en-US.pdf	4.2005 MB
TJI-497457-3_1_2_en-US.pdf	4.5571 MB

## Vehicle Type

Type	Eng	Eng Desc	Sales	Body	Gear	Steer	Model Year	Plant	Chassis range	Struc Week Range
234							2017-2017		0000350-0009837	201617-201642
256							2016-2017		0000561-0144278	201505-201642

## CSC Customer Symptom Codes

Code	Description
R7	Body frame/Other water leaks (sealing issues only)
A2	Climate control system/Unusual odor

## VST Operation Number

## DTC Diagnostic Trouble Codes

## Text

**DESCRIPTION:**

Water seepage from sealing to Climate unit in plenum area.

**SERVICE:**

Add new sealing on the HWAS box (Humidity Water Air Separator) and secure assembly of the box according to attached instruction.

**VEHICLE REPORT:**

Yes, please submit a Vehicle Report if the service solution described in this TJ has no effect. Use concern area "Vehicle Report" and sub concern area "Support not needed", use function group 8700.

**To view TJ attachment continue to next page. This TJ has two attachments.**



## Volvo Car Customer Service

TJ Instruction VCC-497457-2

<b>Title</b>	Air inlet housing	<b>Page</b>	1 ( 10 )
<b>Action</b>	Adjustment	<b>Operation number:</b>	99400-2 97174-2 36050-2

Issue	Date	Reason
1	2016-10	First issue

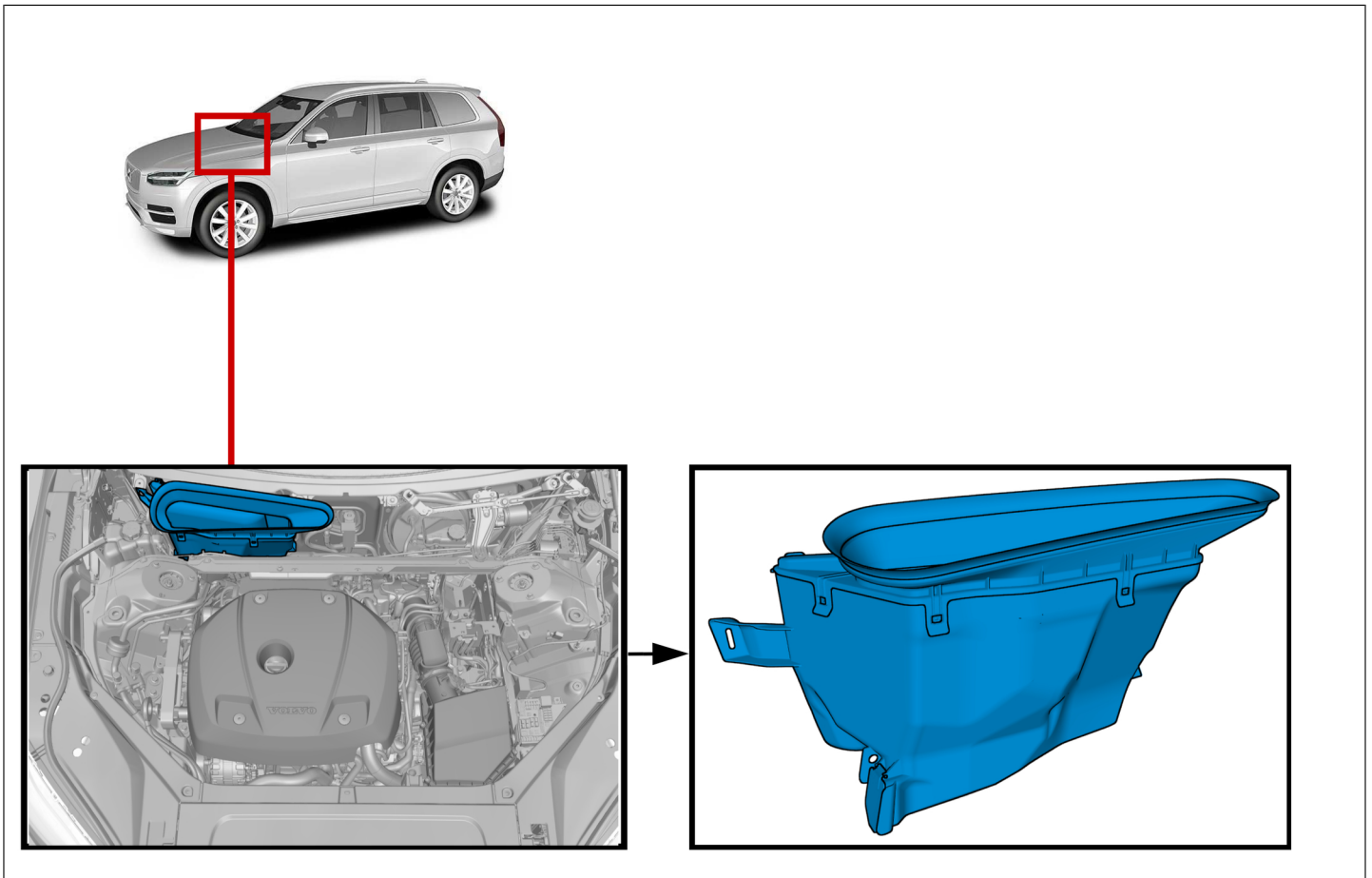
### Affected vehicles

Model year	Model
2016, 2017	XC90 (16-)

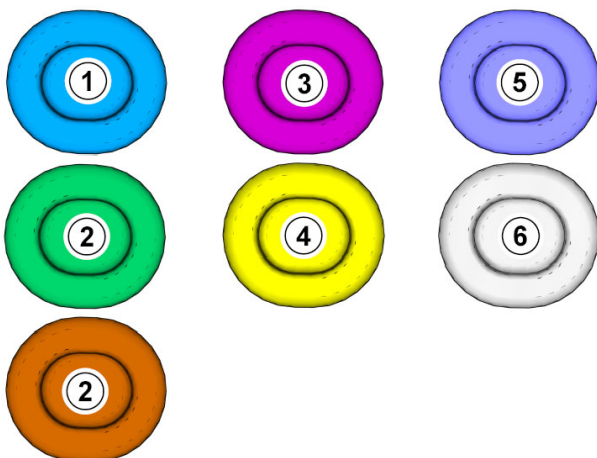
### Materials

Materials	Qty.	Part No.	Notes
Isopropanol	0.02	1161721	CLEANING;
Sealing	1.0	31694105	SEAL - LHD / RHD;

## Orientation view



## Color symbols

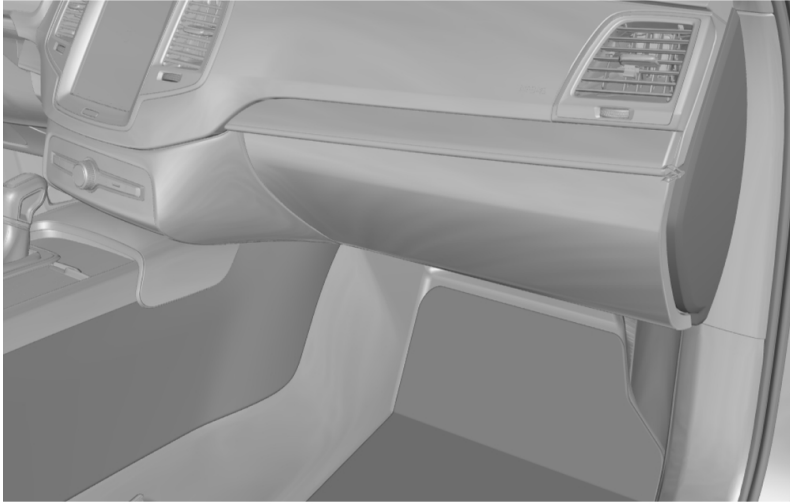


**Note! This colour chart displays (in colour print and electronic version) the importance of the different colours used in the images of the method steps.**

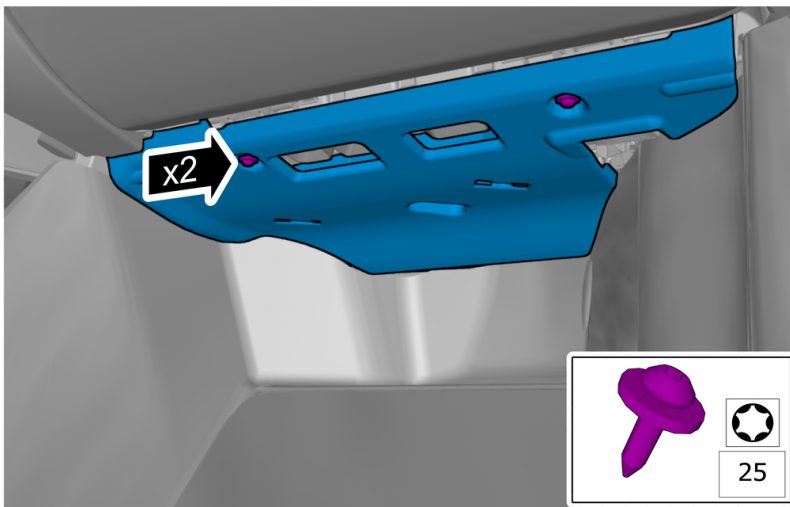
- 1 . Used for focused component, the component with which you will do something.
- 2 . Used as extra colors when you need to show or differentiate additional parts.
- 3 . Used for attachments that are to be removed/installed. May be screws, clips, connectors, etc.
- 4 . Used when the component is not fully removed from the vehicle but only hung to the side.
- 5 . Used for standard tools and special tools.
- 6 . Used as background color for vehicle components.

Check

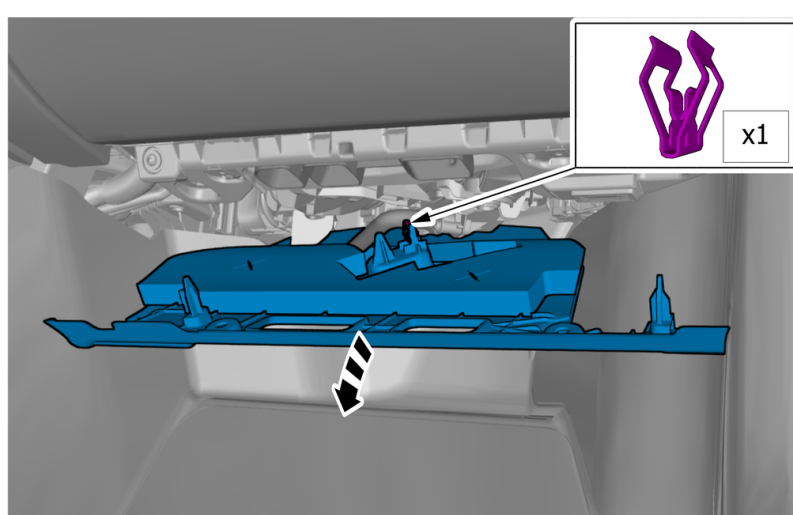
Applies to the passenger side



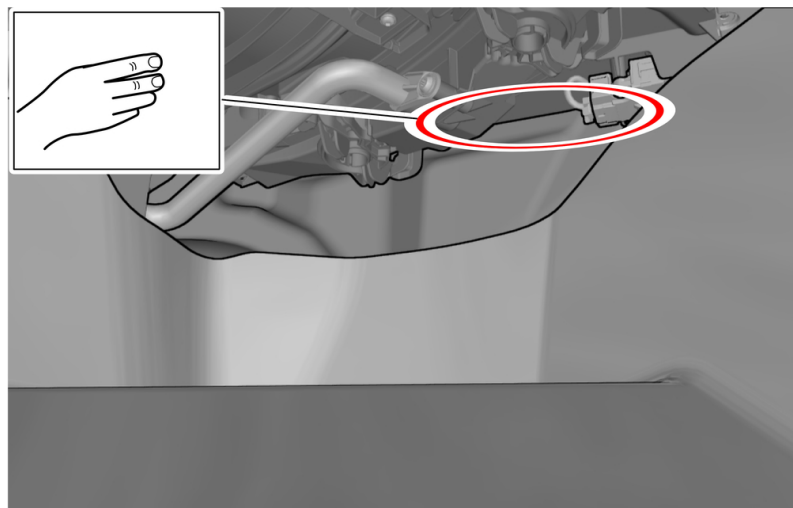
Note! Orientation view



Remove the screws.



Remove the part carefully  
Remove the panel.



**Note! Check for moisture in the area indicated.**

Reach with your hand behind the fan housing and check for moisture between the insulating mat foam and the body wall.

If no faults are detected, to install, reverse the removal procedure.

All vehicles

**Removal**

Remove the cowl panel cover , refer to:  
Removal, replacement and installation  
8 - Body and interior  
82 - Bonnet (Hood), front end, wings, door sill  
823 - radiator grille

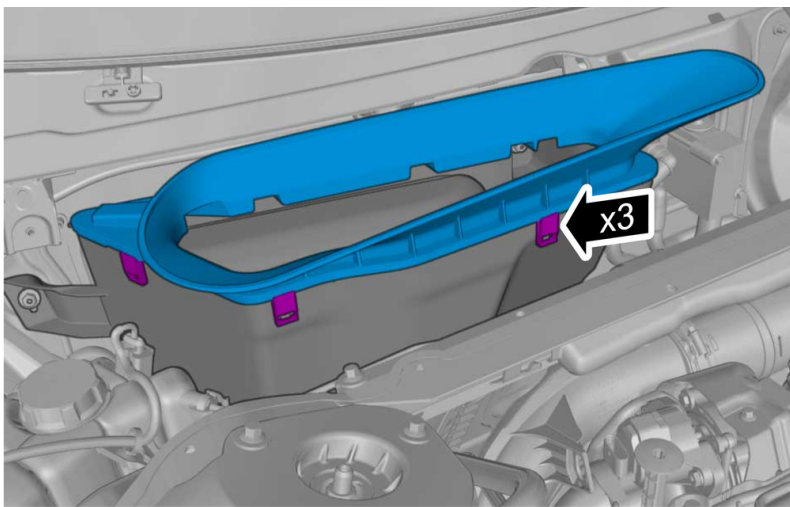
Set the vehicle to Active mode, described in user mode , refer to:

- General Information
- 3 - Electrical system
- 30 - General
- 300 - general

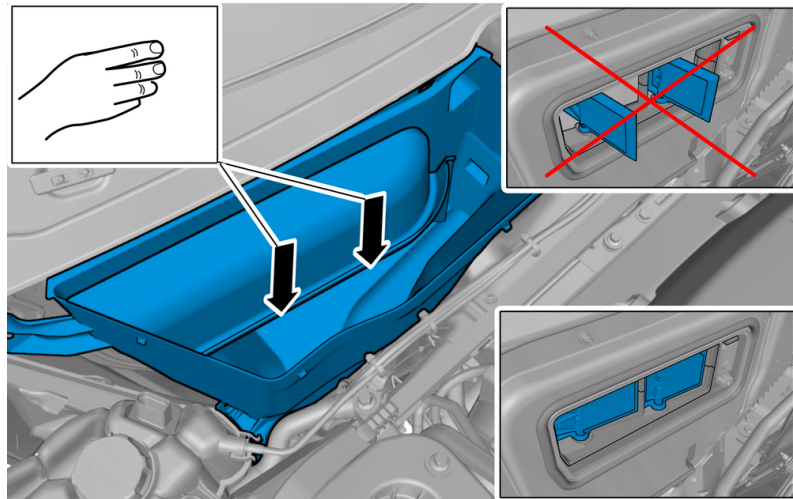
Activate service position according to:  
Diagnostics / Components / Control modules/  
Climate Control Module (CCM) / Diagnostic  
sequences / Service position of damper motors

Set the vehicle to Inactive mode, described in user mode , refer to:

- General Information
- 3 - Electrical system
- 30 - General
- 300 - general

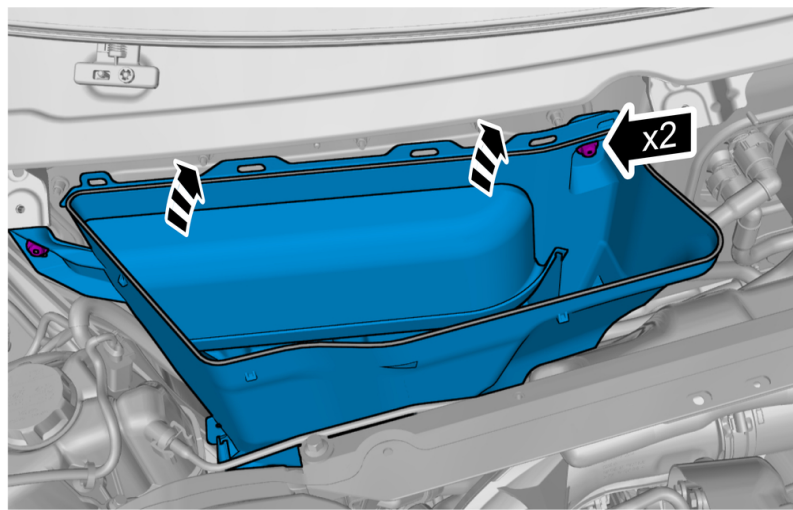


Release the catches.  
Remove the part carefully  
Remove the marked part.

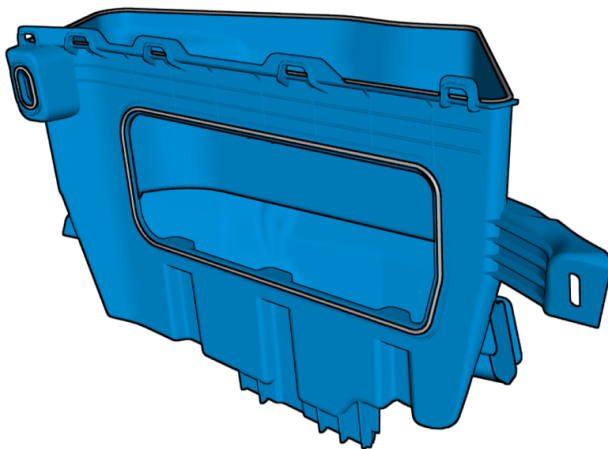


**Caution! Make sure that the flaps have reached service position (closed).**

Check with your hand that the flaps have closed. If not, run the script for Service position. Do not force the flaps closed by hand!



Remove the nuts.  
Remove the part carefully  
Remove the marked part.

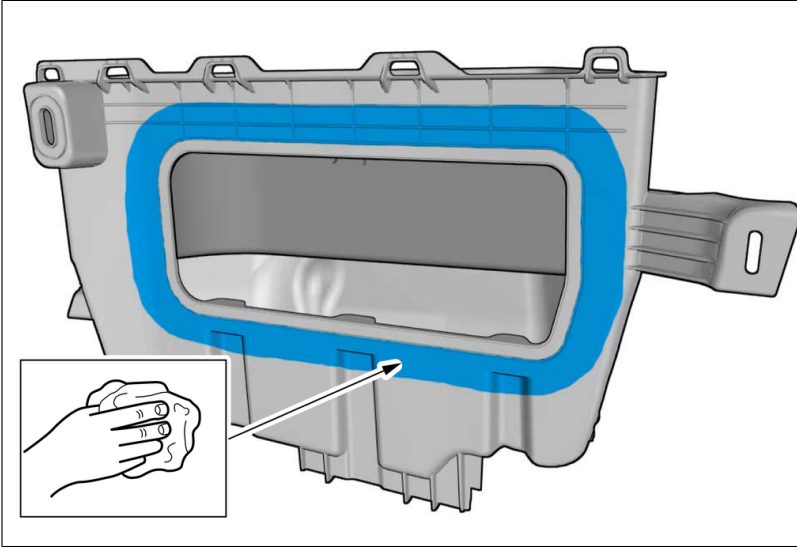




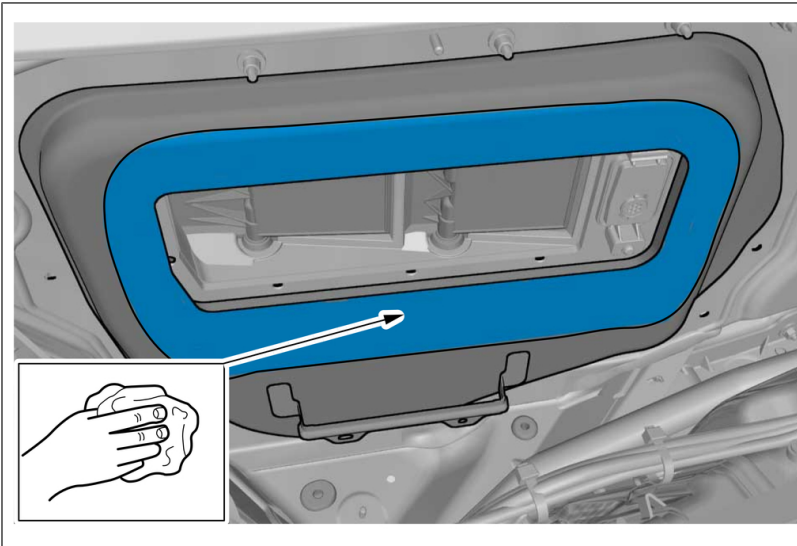
Cleaning

Clean the marked area.

**Use:** Isopropanol , 1161721

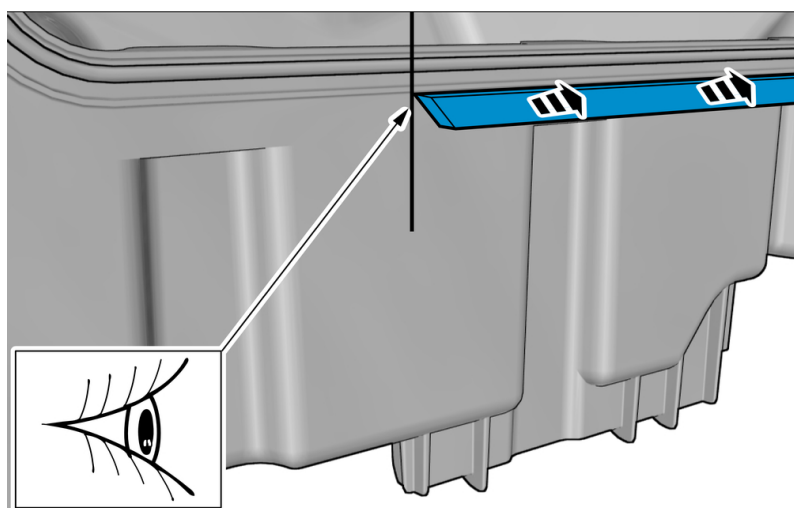


Clean the marked area.

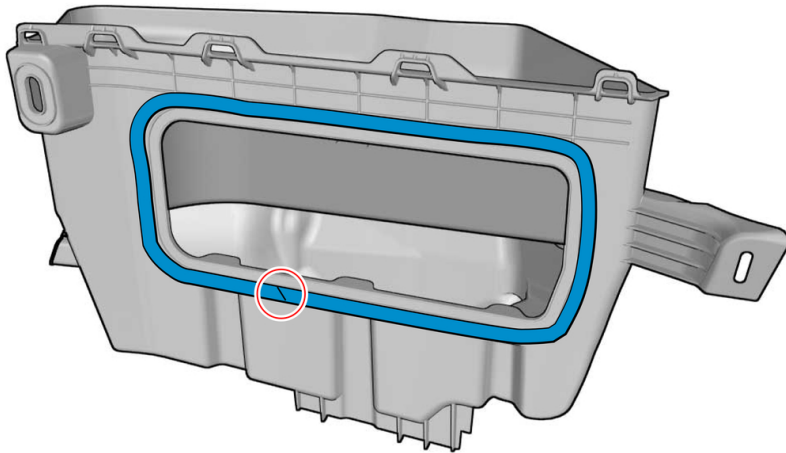


### Adjustment

Left hand drive vehicles



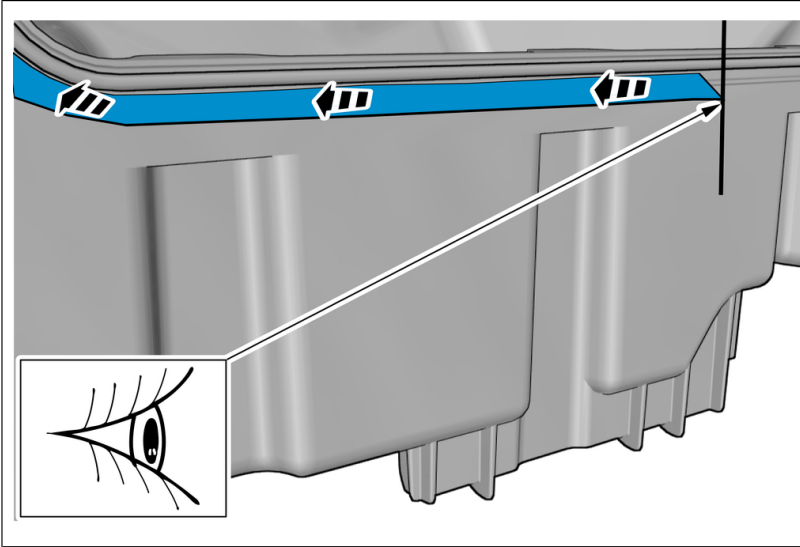
Install the marked component.



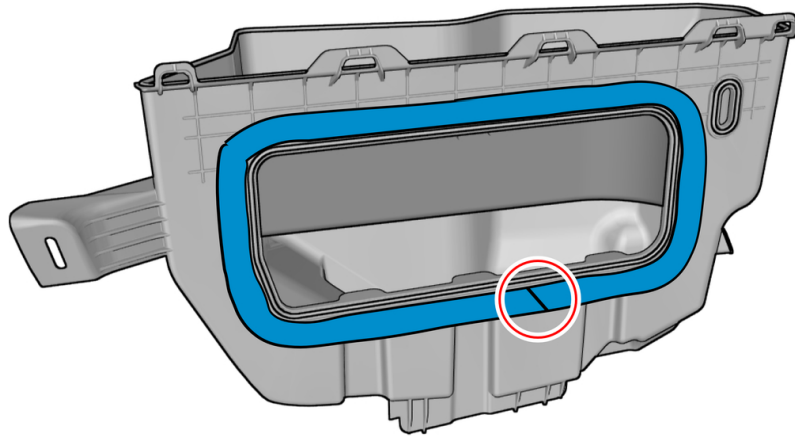
**Note! Make sure that the seal is correctly located.**

Make sure to place the joint where indicated in the graphic.

Right-hand drive vehicles



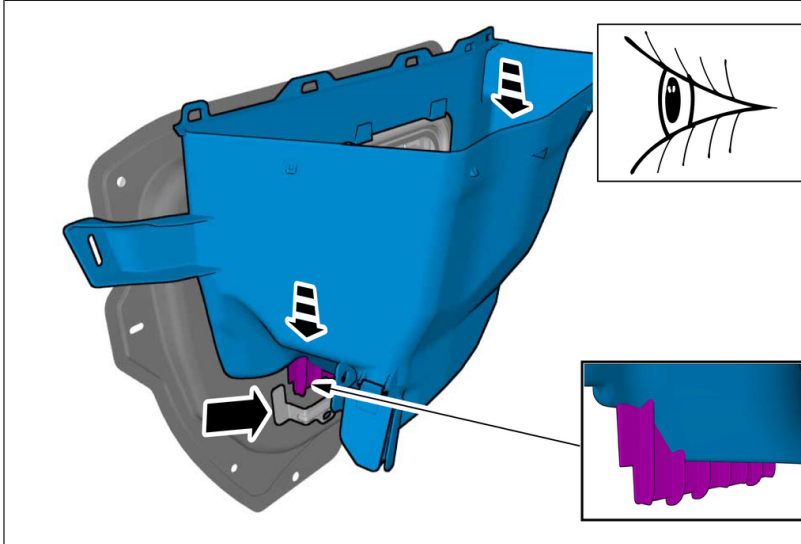
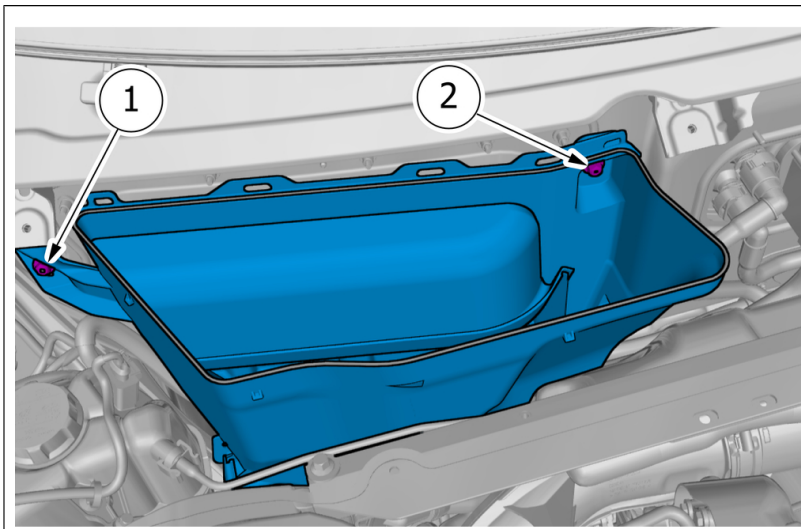
Install the marked component.



**Note! Make sure that the seal is correctly located.**

Make sure to place the joint where indicated in the graphic.

All vehicles

**Installation****Caution! Make sure that the component is positioned correctly.****Note! Make sure to follow the sequence indicated.**

Install the nuts

**Torque:**

Air inlet housing, to Body , 3 Nm

To install, reverse the removal procedure.



## Volvo Car Customer Service

TJ Instruction VCC-497457-3

<b>Title</b>	Air inlet housing	<b>Page</b>	1 ( 10 )
<b>Action</b>	Adjustment	<b>Operation number:</b>	36050-2 97174-2 99400-2

Issue	Date	Reason
1	2016-10	First issue

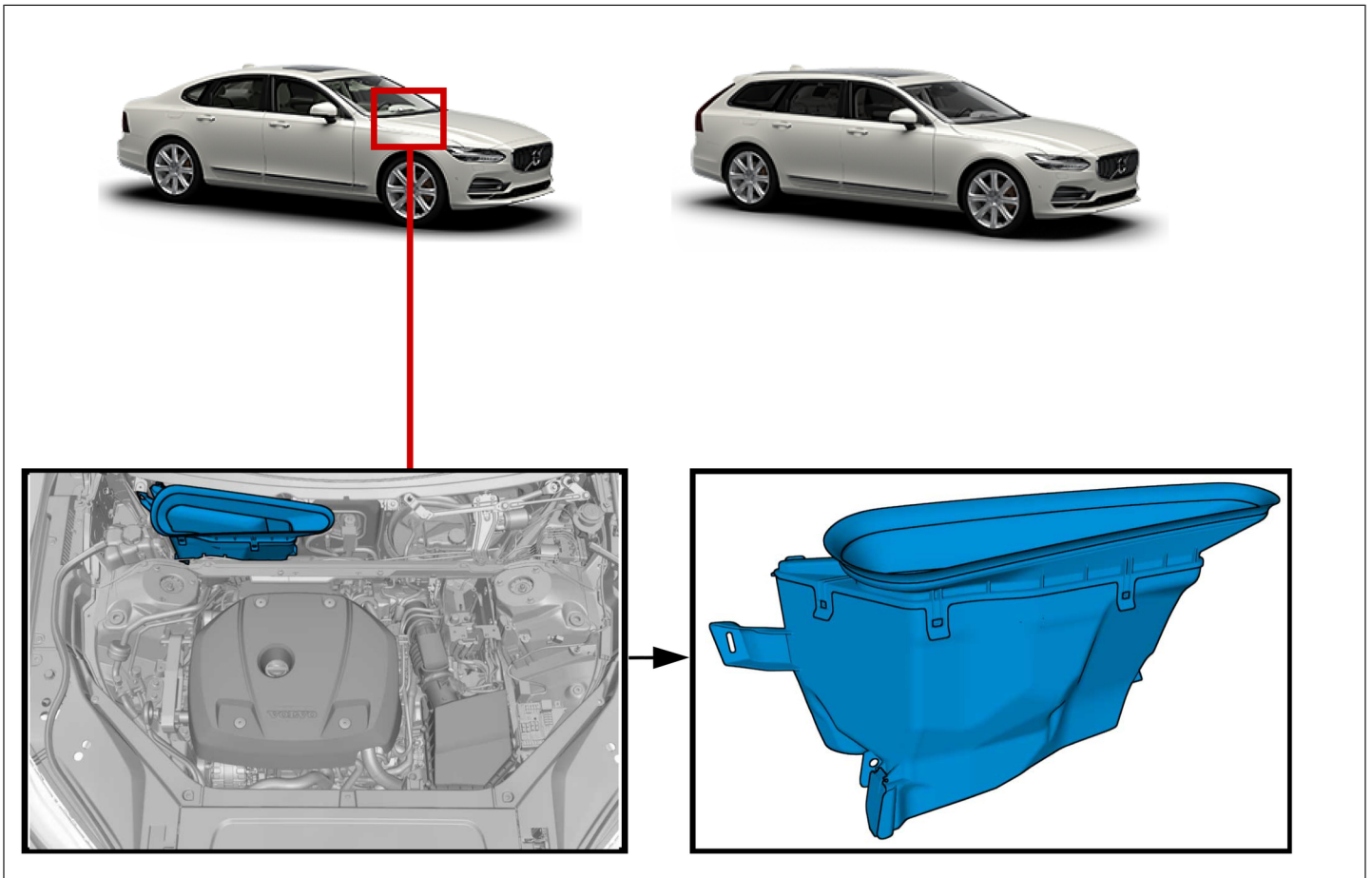
### Affected vehicles

Model year	Model
2017	S90 (17-)

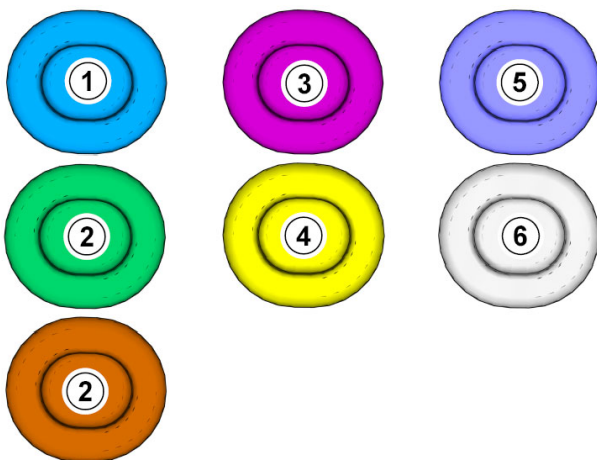
### Materials

Materials	Qty.	Part No.	Notes
Isopropanol	0.02	1161721	CLEANING;
Sealing	1.0	31694118	SEAL - LHD / RHD;

## Orientation view



## Color symbols

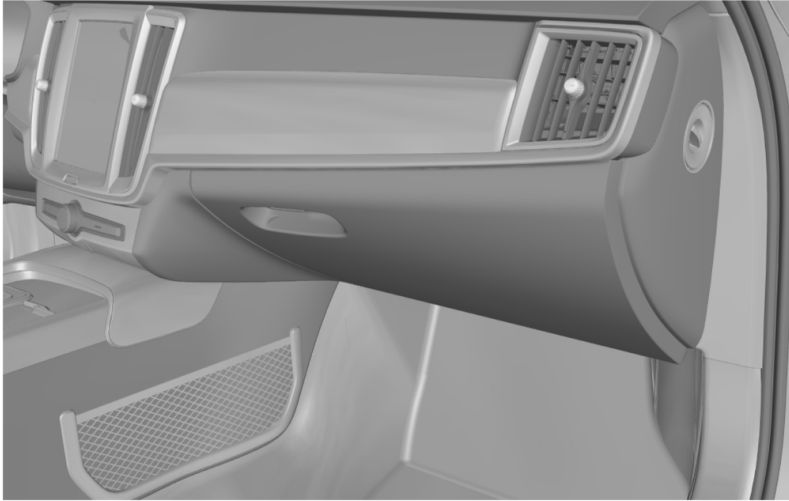


**Note! This colour chart displays (in colour print and electronic version) the importance of the different colours used in the images of the method steps.**

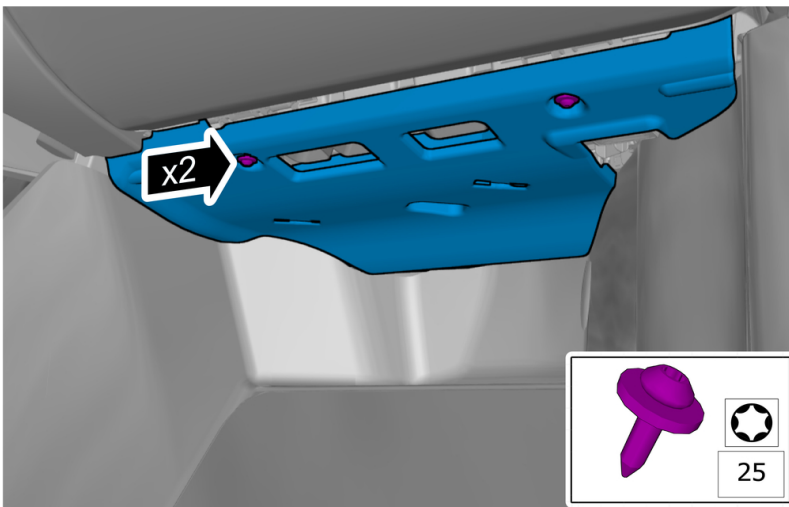
- 1 . Used for focused component, the component with which you will do something.
- 2 . Used as extra colors when you need to show or differentiate additional parts.
- 3 . Used for attachments that are to be removed/installed. May be screws, clips, connectors, etc.
- 4 . Used when the component is not fully removed from the vehicle but only hung to the side.
- 5 . Used for standard tools and special tools.
- 6 . Used as background color for vehicle components.

Check

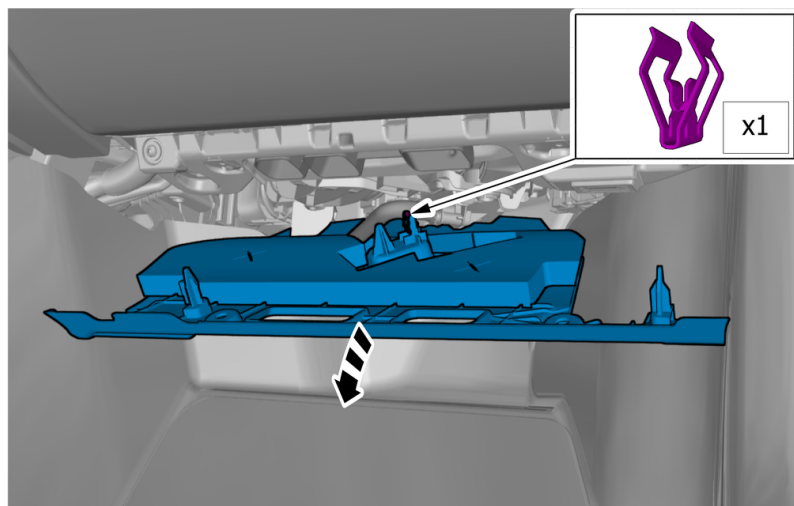
Applies to the passenger side



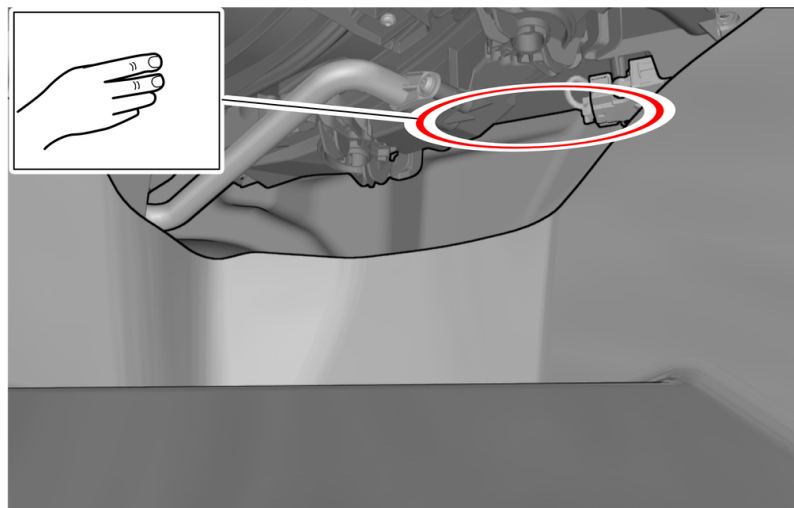
Note! Orientation view



Remove the screws.



Remove the part carefully  
Remove the panel.



**Note! Check for moisture in the area indicated.**

Reach with your hand behind the fan housing and check for moisture between the insulating mat foam and the body wall.

If no faults are detected, to install, reverse the removal procedure.

All vehicles

**Removal**

Remove the cowl panel cover , refer to:  
Removal, replacement and installation  
8 - Body and interior  
82 - Bonnet (Hood), front end, wings, door sill  
823 - radiator grille



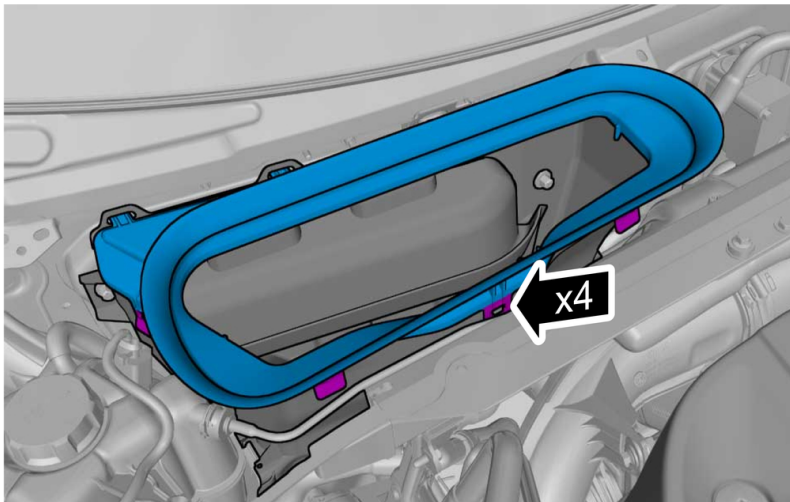
Set the vehicle to Active mode, described in user mode , refer to:

- General Information
- 3 - Electrical system
- 30 - General
- 300 - general

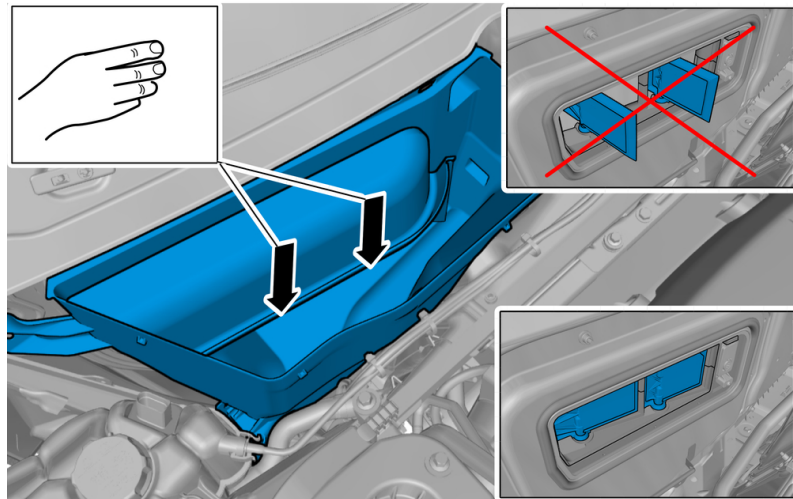
Activate service position according to:  
Diagnostics / Components / Control modules/  
Climate Control Module (CCM) / Diagnostic  
sequences / Service position of damper motors

Set the vehicle to Inactive mode, described in user mode , refer to:

- General Information
- 3 - Electrical system
- 30 - General
- 300 - general

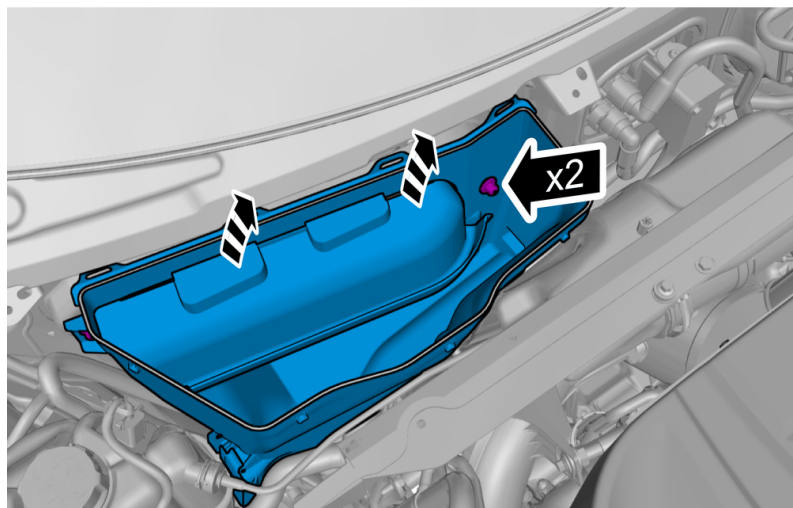


Release the catches.  
Remove the part carefully  
Remove the marked part.



**Caution! Make sure that the flaps have reached service position (closed).**

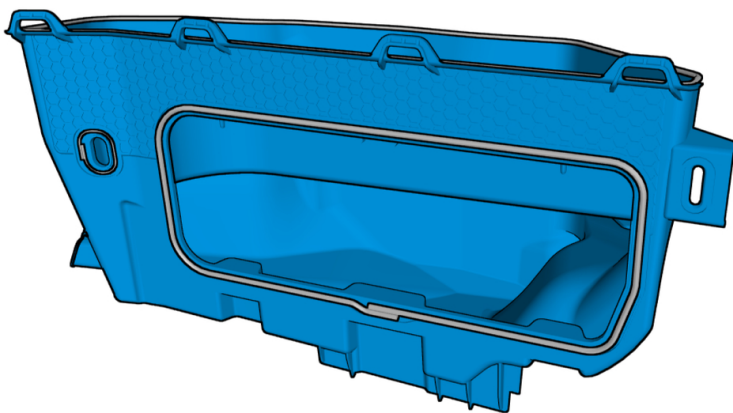
Check with your hand that the flaps have closed. If not, run the script for Service position. Do not force the flaps closed by hand!



Remove the nuts.

Remove the part carefully

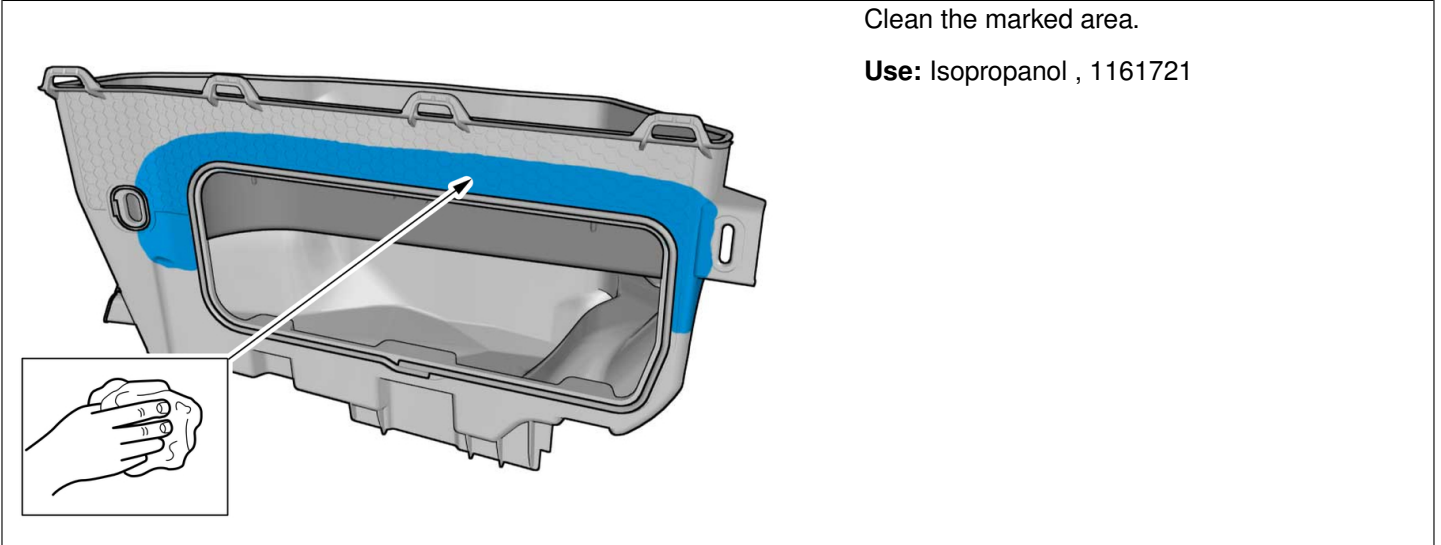
Remove the marked part.



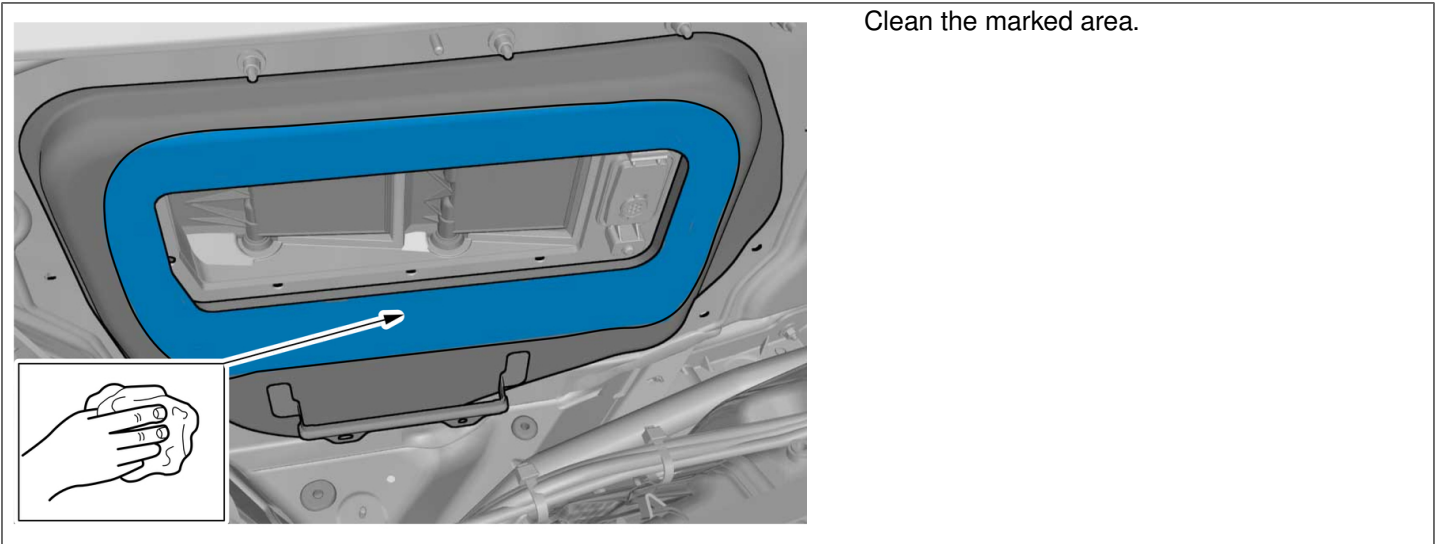
**Cleaning**

Clean the marked area.

**Use:** Isopropanol , 1161721

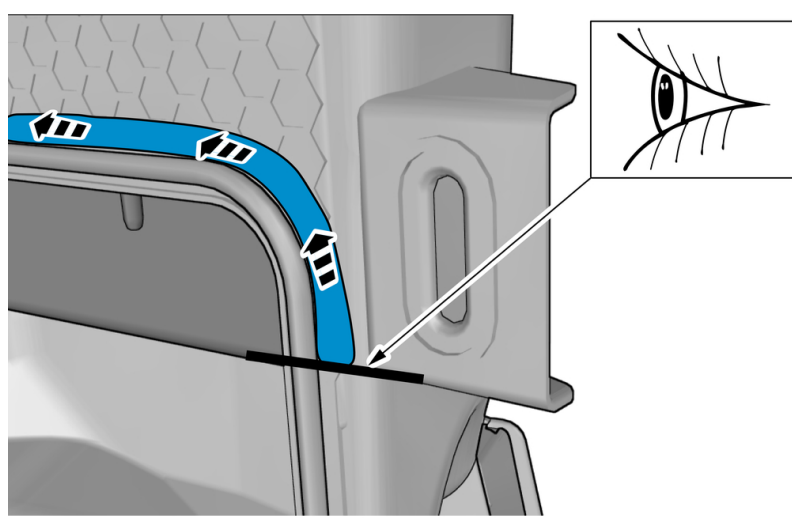


Clean the marked area.

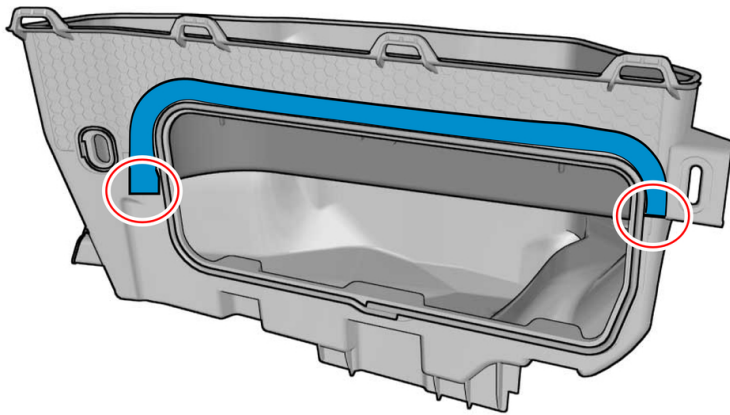


### Adjustment

Left hand drive vehicles

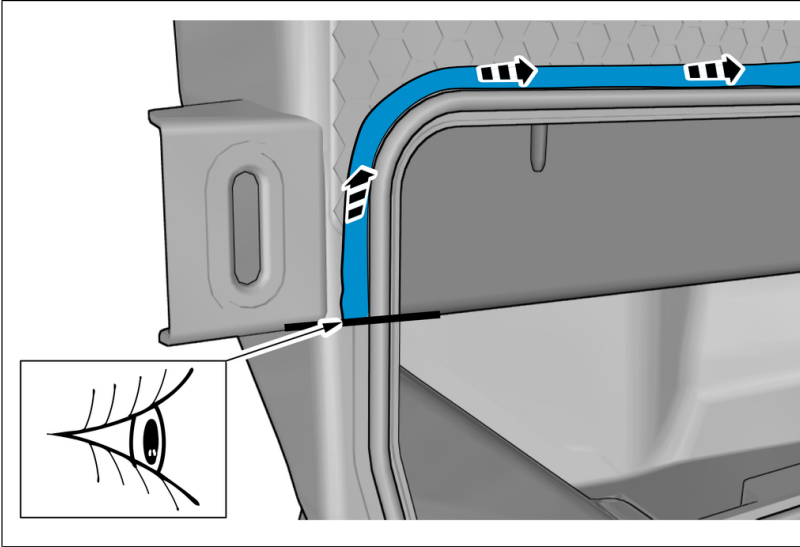


Install the marked component.

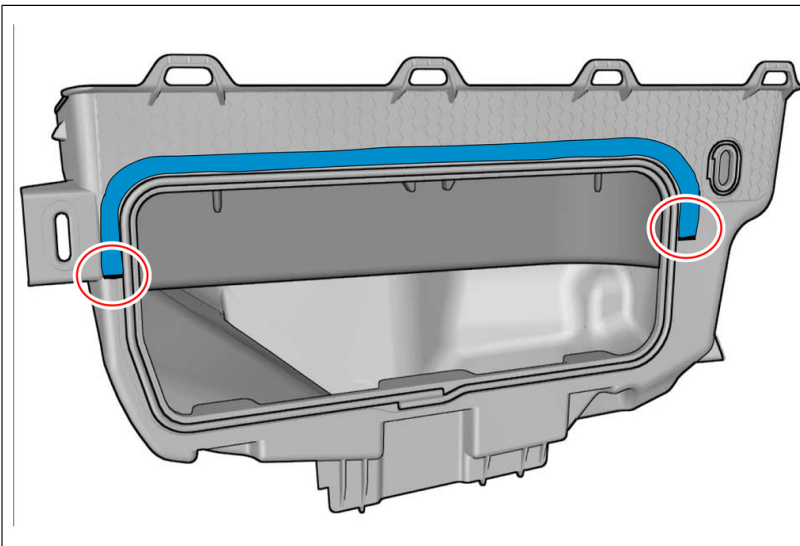


**Note!** Make sure that the seal is correctly located.

Right-hand drive vehicles

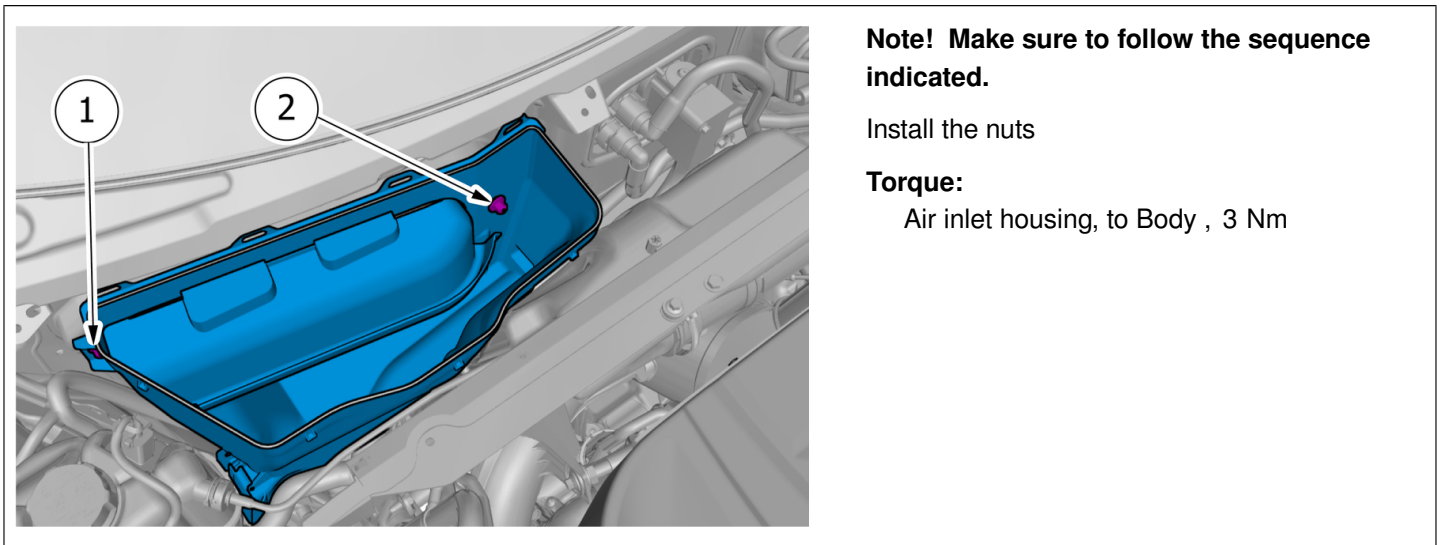
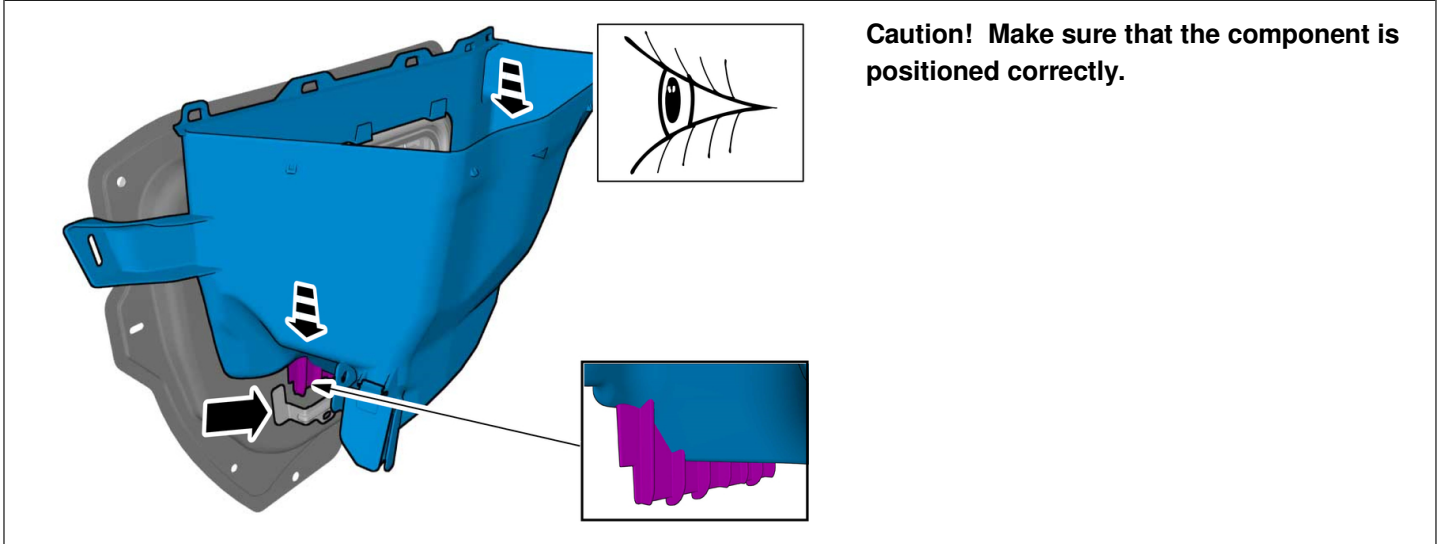


Install the marked component.



**Note! Make sure that the seal is correctly located.**

All vehicles

**Installation**

To install, reverse the removal procedure.