



Technical Journal

TITLE:

Remote Control slider button now available as a spare part

REF NO: TJ 32004.1.0	ISSUING DEPARTMENT: Technical Service	CAR MARKET: United States and Canada	
PARTNER: 3 US 7510 Volvo Car USA		ISSUE DATE: 2016-11-30	STATUS DATE: 2016-12-07
FUNC GROUP: 3669	FUNC DESC: Miscellaneous	Page 1 of 4	

“Right first time in Time”

Attachment

File Name	File Size
TJI-497727_slider_button.pdf	0.4403 MB

Vehicle Type

Type	Eng	Eng Desc	Sales	Body	Gear	Steer	Model Year	Plant	Chassis range	Struc Week Range
234							2017-9999		0000350-9999999	201617-999952
256							2016-9999		0000561-9999999	201505-999952

CSC Customer Symptom Codes

Code	Description
IJ	Remote control/Mechanical problem/Key unit only
XI	Remote control/Does not work

VST Operation Number

VST Operation Number	Description
97073-2	Key slider install acc. to TJ

DTC Diagnostic Trouble Codes

Text

**DESCRIPTION:**

The Remote Control slider button is now available as a spare part. If the slider button is missing or damaged, there is no need to replace the entire remote control.

SERVICE:

Install a new slider button (31419983) according to the attached instruction.

VEHICLE REPORT:

Yes, please submit a Vehicle Report if the service solution described in this TJ has no effect. Use concern area "Vehicle Report" and sub concern area "Support Not Needed", use function group 3669.

To view TJ attachment continue to next page. This TJ has one attachment.



Volvo Car Customer Service

TJ Instruction VCC-497727-1

Title	Remote key slider	Page	1 (4)
Action	Product fix	Operation number:	97073-2

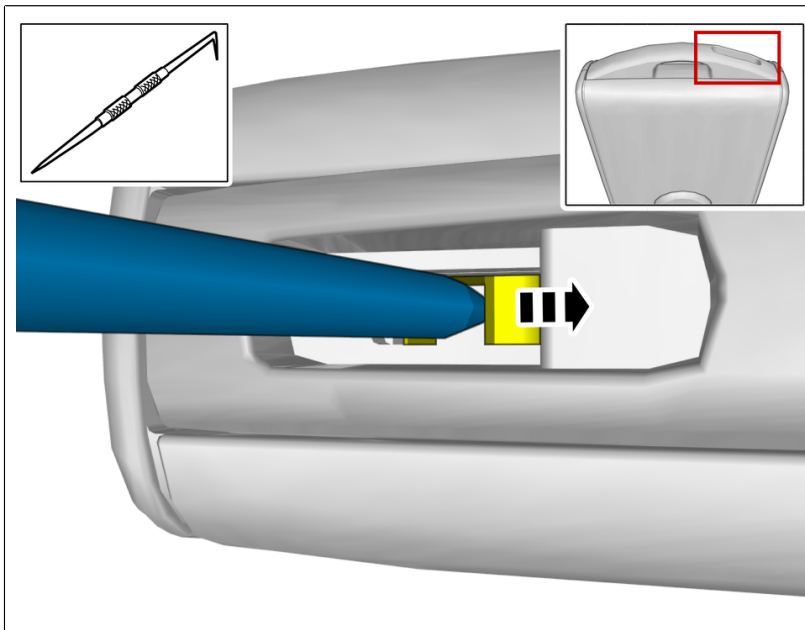
Issue	Date	Reason
1	2016-11	New method

Affected vehicles

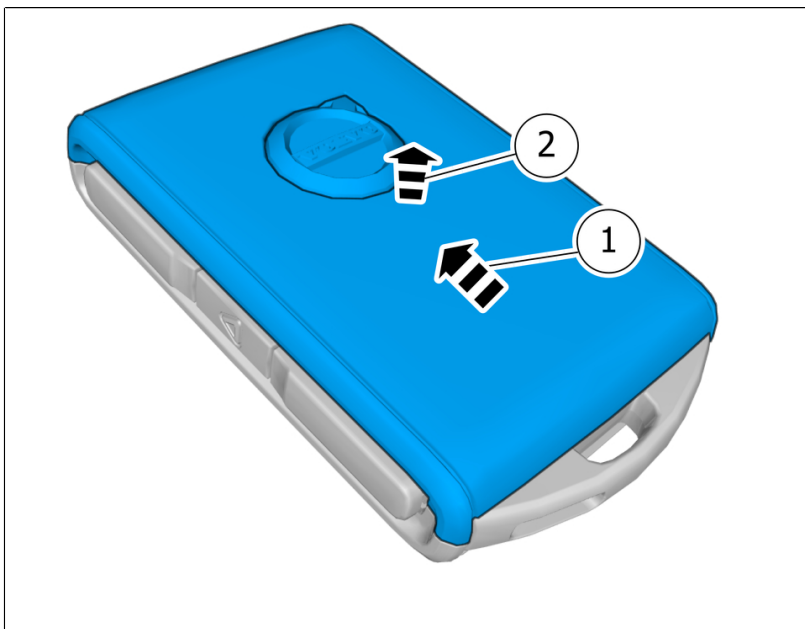
Model year	Model
2017, 2018	S90 (17-)
2016, 2017, 2018	XC90 (16-)

Materials

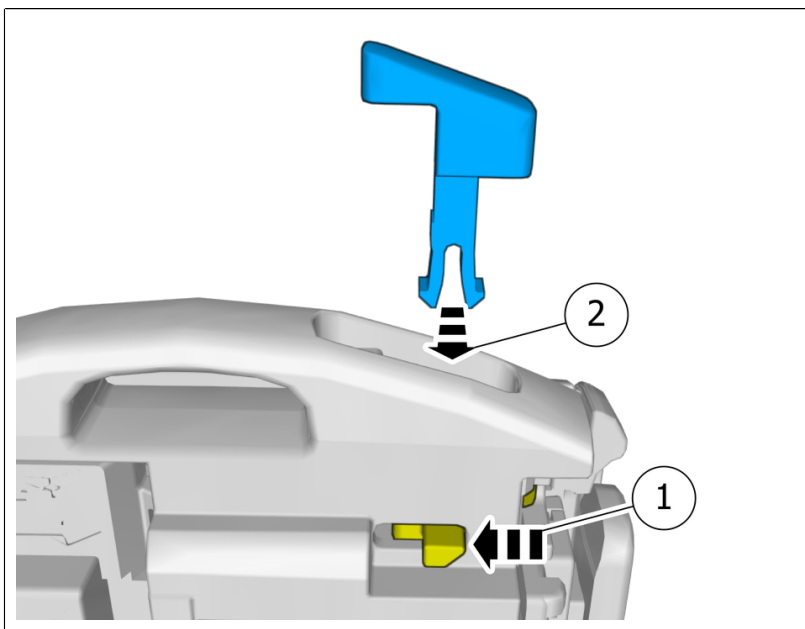
Materials	Qty.	Part No.	Notes
Slider	1.0	31419983	



Release the lock by holding the tab down with a pick or similar tool..



Remove the marked cover by sliding and lifting according to the picture.



Release the lock by pushing and holding the release catch.
Install the new slider.