



# Technical Journal

TITLE:

**Seats second row, outer seats, noise**

<b>REF NO:</b> TJ 30599.3.1	<b>ISSUING DEPARTMENT:</b> Technical Service	<b>CAR MARKET:</b> United States and Canada	
<b>PARTNER:</b> 3 US 7510 Volvo Car USA		<b>ISSUE DATE:</b> 2016-11-22	<b>STATUS DATE:</b> 2016-11-30
<b>FUNC GROUP:</b> 8530	<b>FUNC DESC:</b> Rear seat, passenger seat, bench	Page 1 of 12	

“Right first time in Time”

## Attachment

File Name	File Size
TJ 30599.pdf	4.0000 MB

## Vehicle Type

Type	Eng	Eng Desc	Sales	Body	Gear	Steer	Model Year	Plant	Chassis range	Struc Week Range
256							2016-2016		0000561-0079653	201505-201609

## CSC Customer Symptom Codes

Code	Description
ZO	Rear seat/Squeak/rattle

## VST Operation Number

VST Operation Number	Description
98641-2	Rear seat adjust acc. to TJ 30599

## DTC Diagnostic Trouble Codes

Rows beginning with \* are modified

Note! If using a printed copy of this Technical Journal, first check for the latest online version.

## Text

**DESCRIPTION:**

When driving on rough roads a rattling or creaking noise may come from the rear lower area, on the outer seats in the second row.

**SERVICE:**

\* Note that the new parts in the kit must be installed or replaced even if there is a similar part mounted already.

Use attached repair method TJ 30599, use kit p/n 31447976.

Note: Observe that page 10 and onwards in the method, only applies for cars with chassis number. up to 25976. On later cars, the sliding rails has been modified.

Also observe that the Operation no is split in two variants, see Volvo standard times:

A = Ch.nr. -25976

B = Ch.nr. 25977-

**VEHICLE REPORT:**

Yes, please submit a Vehicle Report if the service solution described in this TJ has no effect. Use concern area "Vehicle Report" and sub concern area "Support Not Needed", use function group 8530.

**To view TJ attachment continue to next page. This TJ has one attachment.**



## Volvo Car Customer Service

TJ 30599

<b>Title</b>	Rear seat, second row	<b>Page</b>	1 ( 10 )
<b>Action</b>	Product fix	<b>Operation number:</b>	98641-2

Issue	Date	Reason
1	2016-09	First issue

### Affected vehicles

Model year	Model
2016	XC90 (16-)

### Materials

Materials	Qty.	Part No.	Notes
Cleaning agent	1.0	1161721	0.05;
Tape	1.0	9511083	120mm : Wurth part 199230040
Service kit	1.0	31447976	

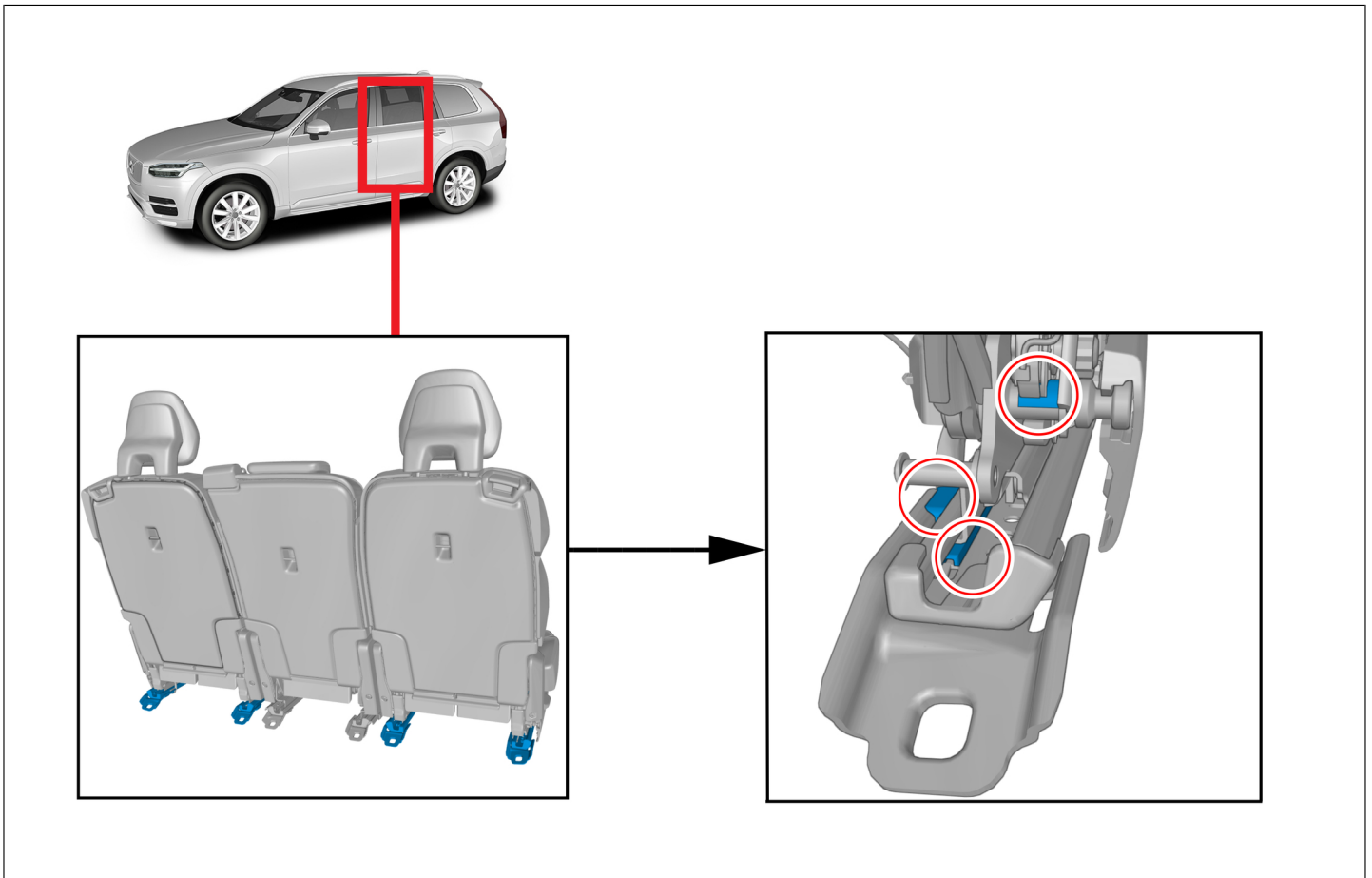
### Special tools

Description	Part No.
Interior trim remover	981 4071

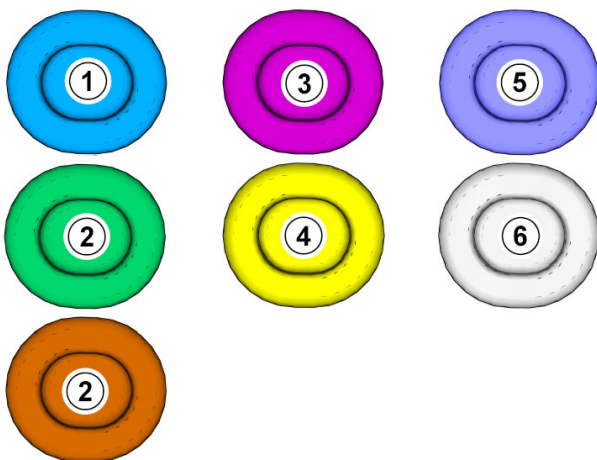
### Equipment

Designation	Part No.
Tape measure	

## Orientation view



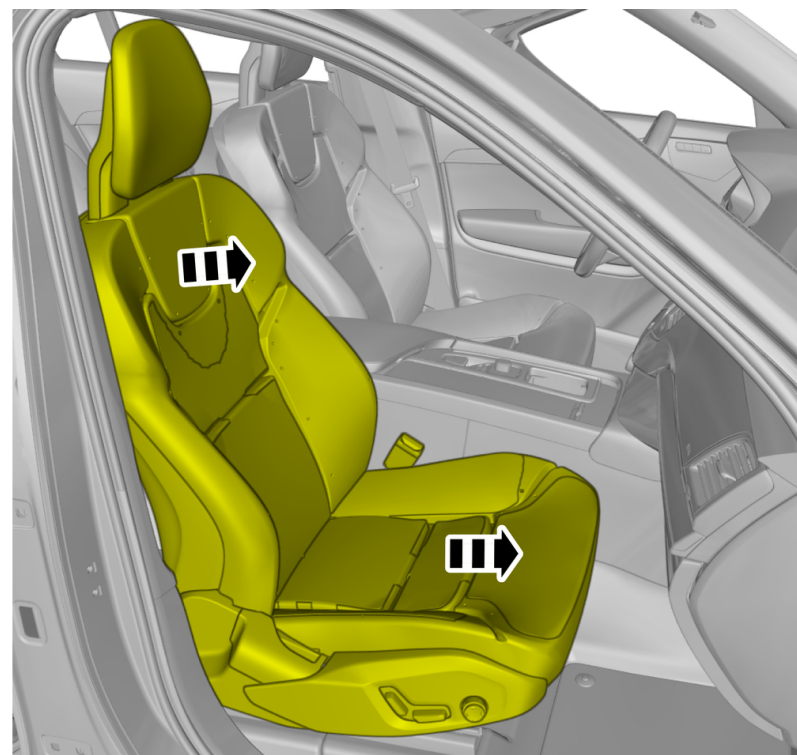
## Color symbols



**Note! This colour chart displays (in colour print and electronic version) the importance of the different colours used in the images of the method steps.**

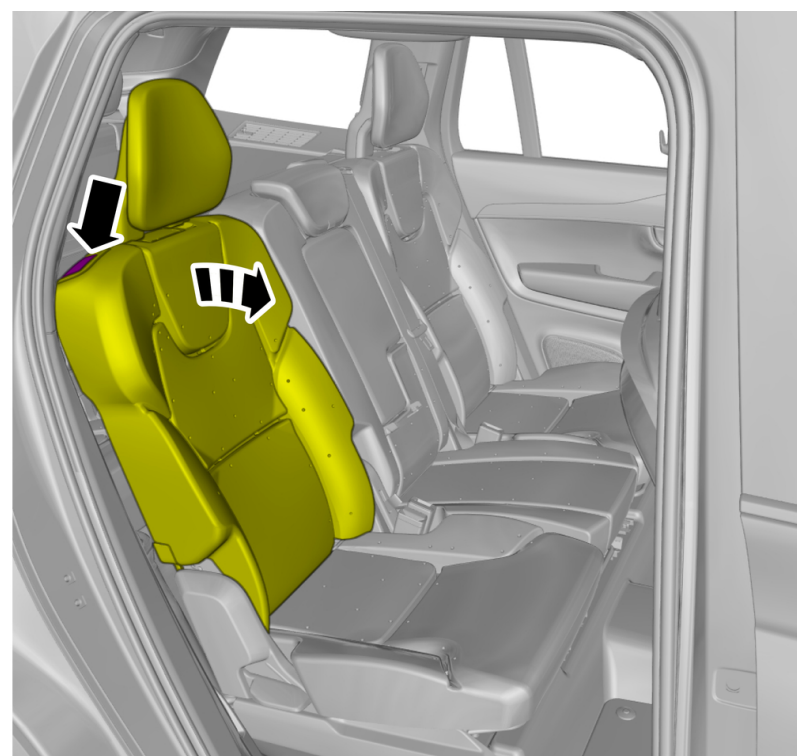
- 1 . Used for focused component, the component with which you will do something.
- 2 . Used as extra colors when you need to show or differentiate additional parts.
- 3 . Used for attachments that are to be removed/installed. May be screws, clips, connectors, etc.
- 4 . Used when the component is not fully removed from the vehicle but only hung to the side.
- 5 . Used for standard tools and special tools.
- 6 . Used as background color for vehicle components.

Vehicles with seven seats

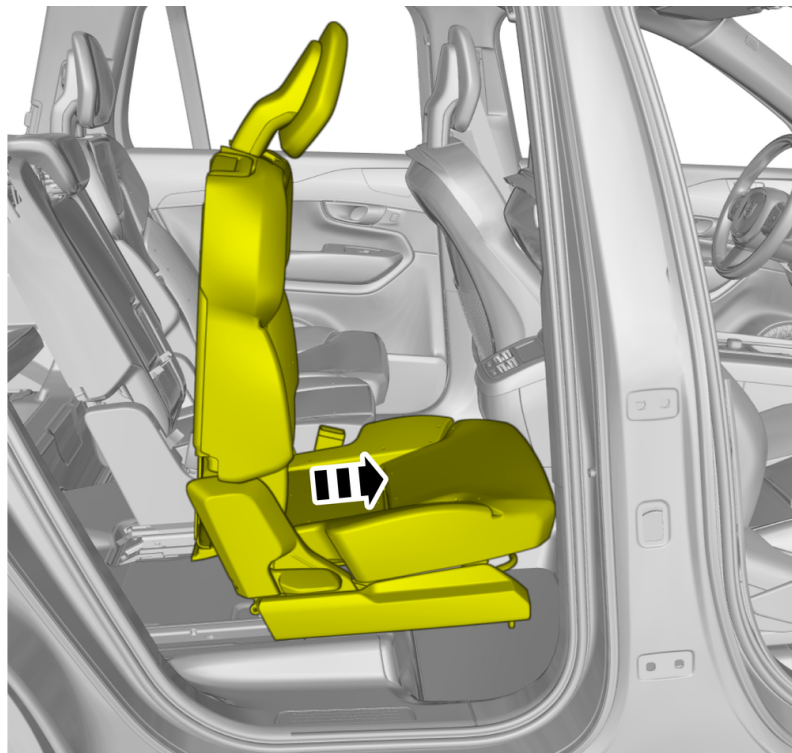


On both sides.

Concerns outer position

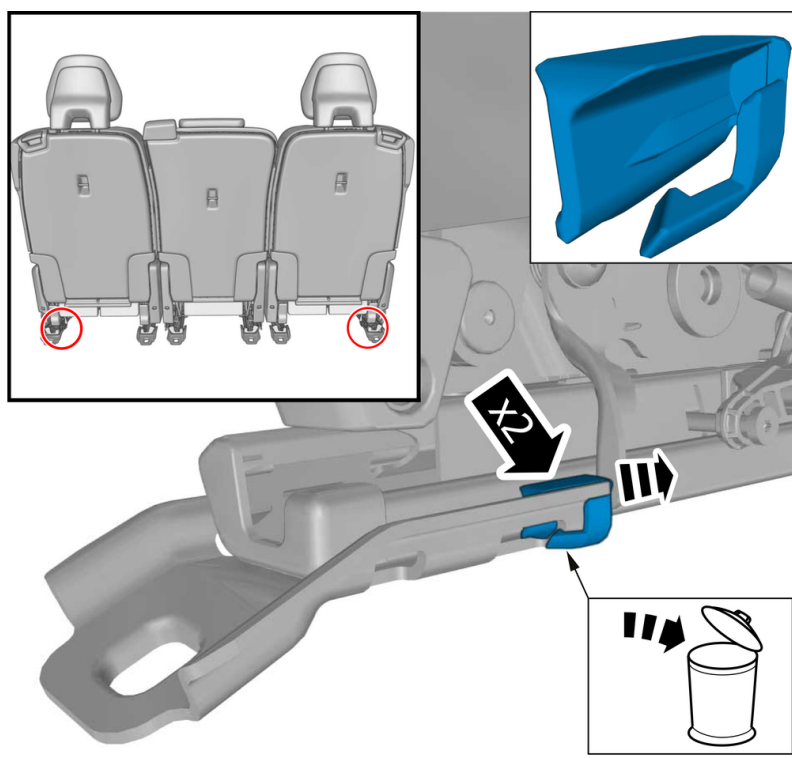


Release the lock.  
On both sides.

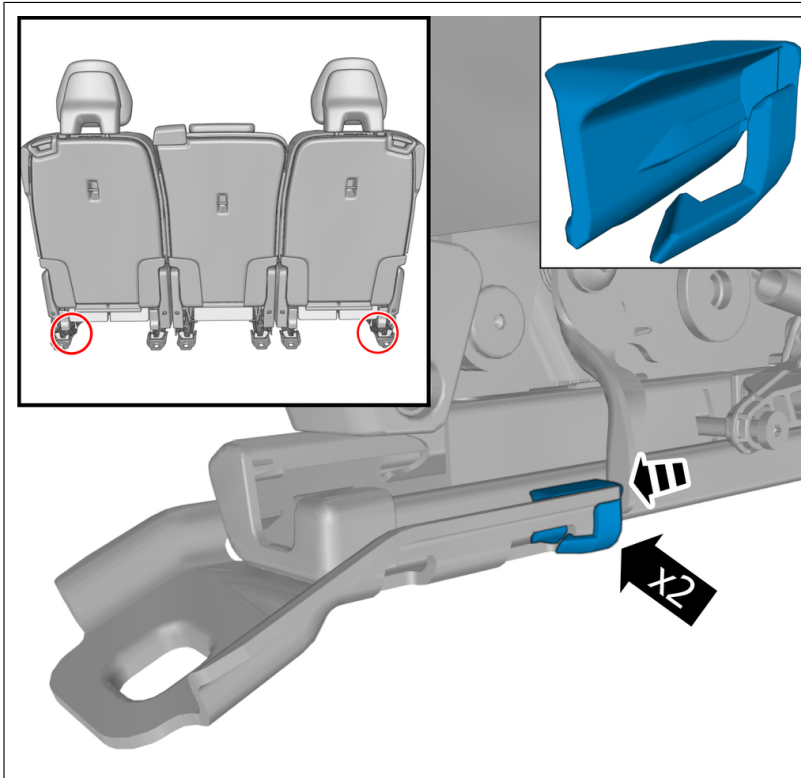


On both sides.

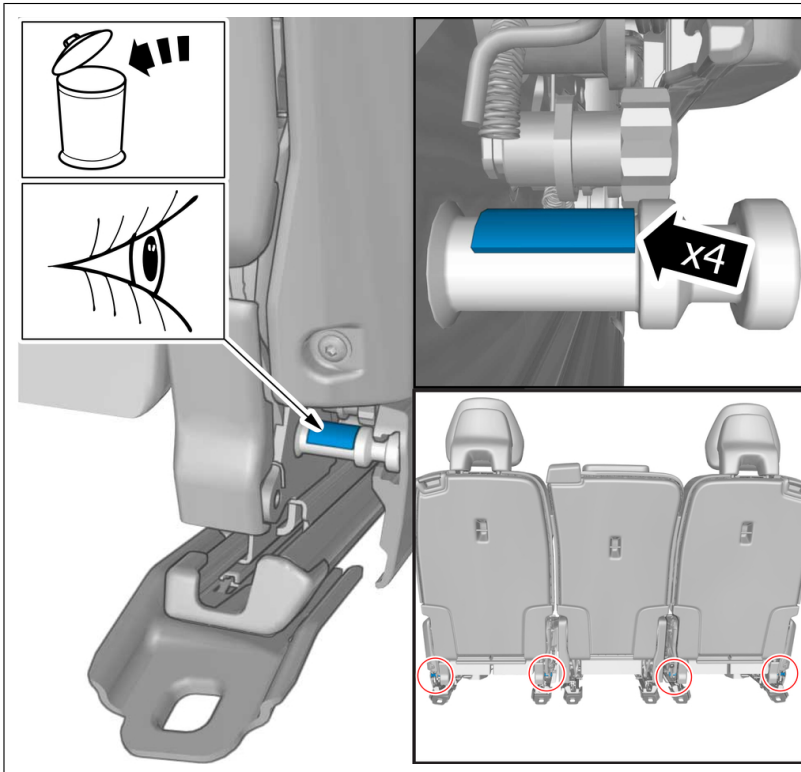
**Removal**



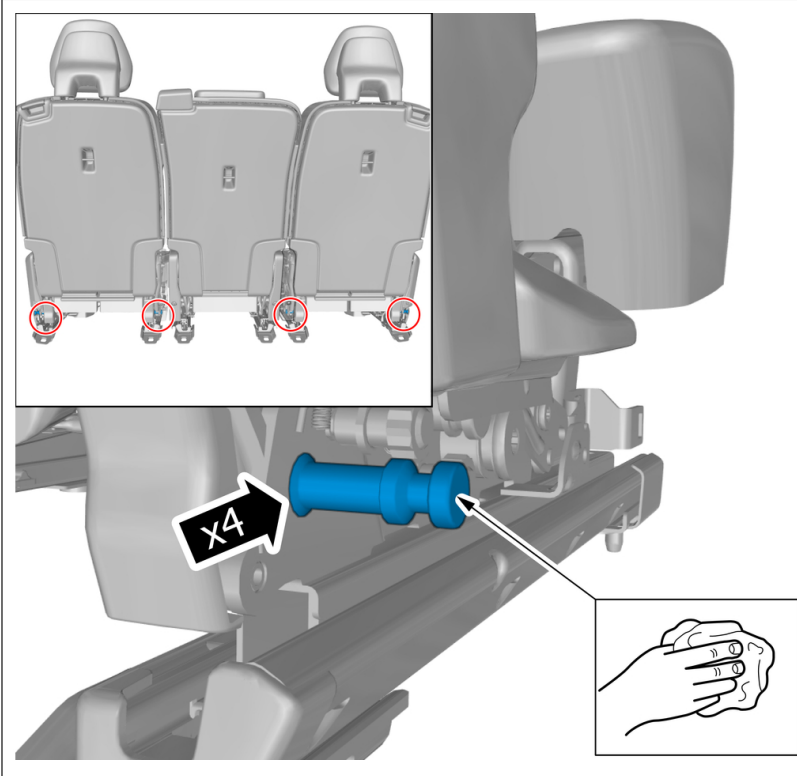
Remove the marked detail/details.

**Installation**

Install the marked component.  
On both sides.

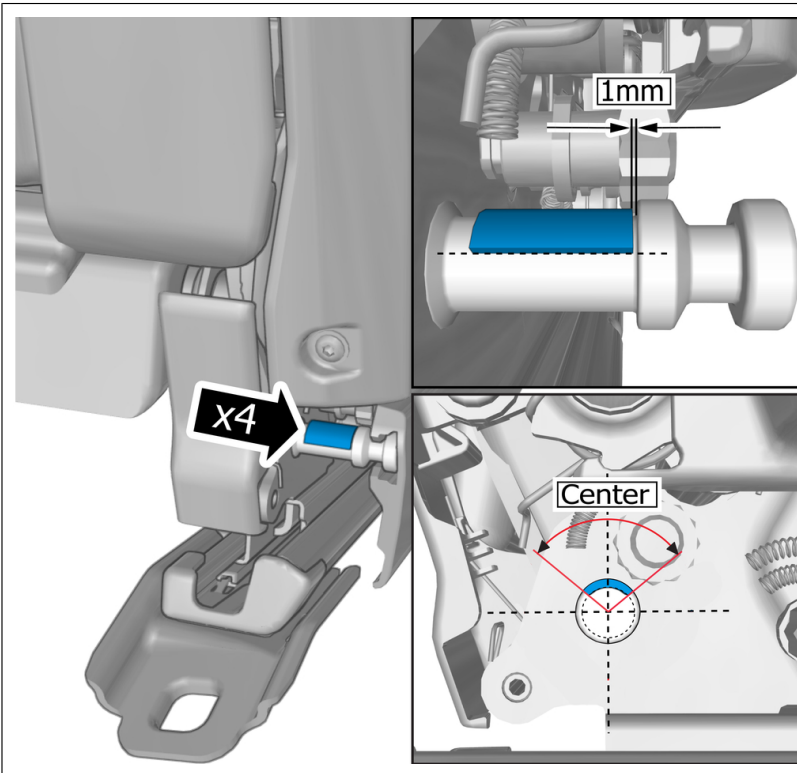
**Removal**

Remove the marked detail/details.



Wipe off  
Use Isopropanol

**Installation**



**Note! Make sure that the component is centred.**

**Note! Ensure that the tape is fixed to the surface.**

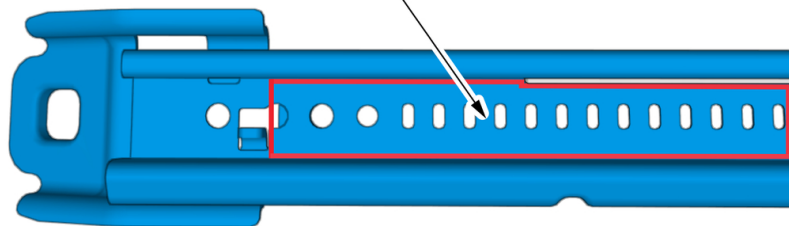
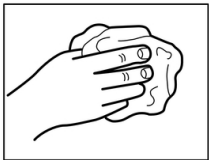


Vehicles manufactured before chassis number 25976

**Note! Orientation view**

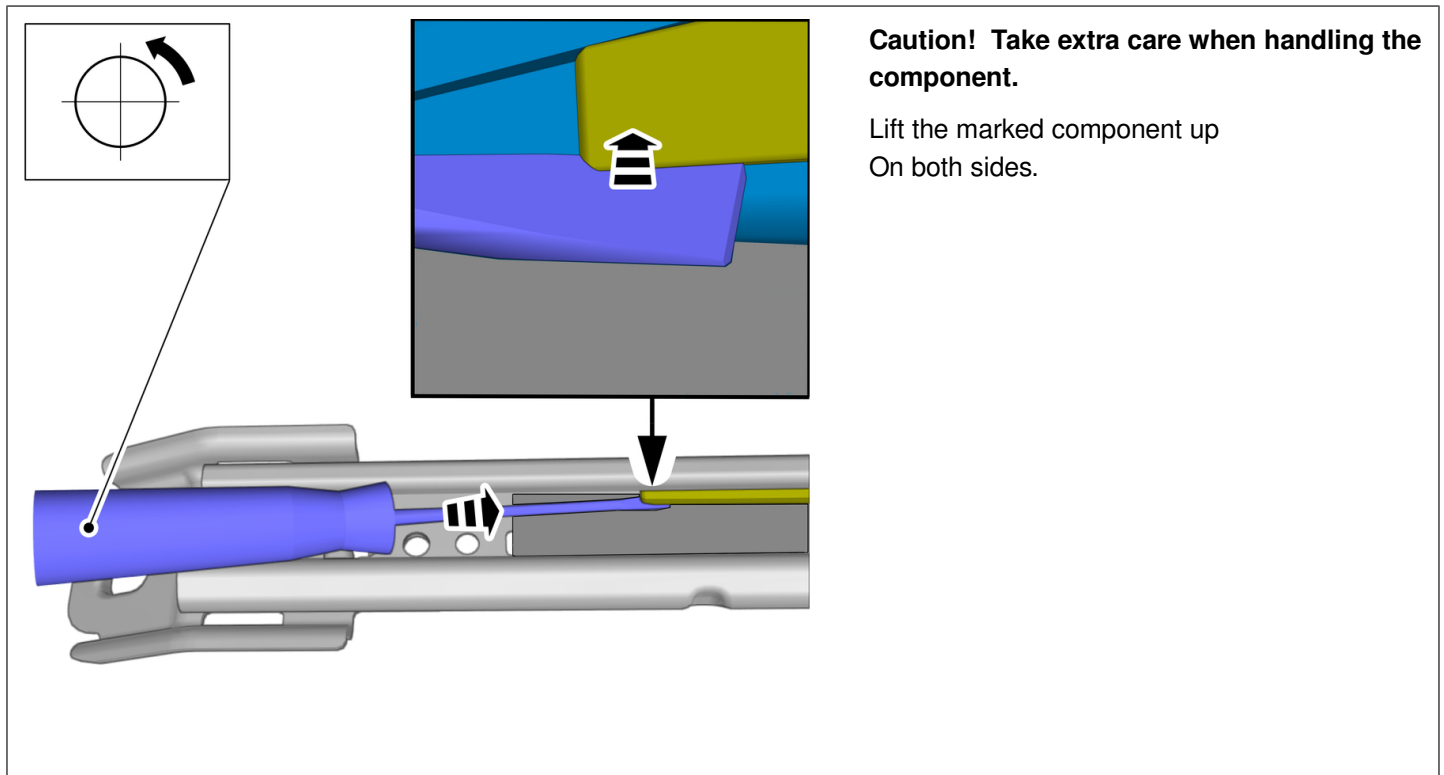
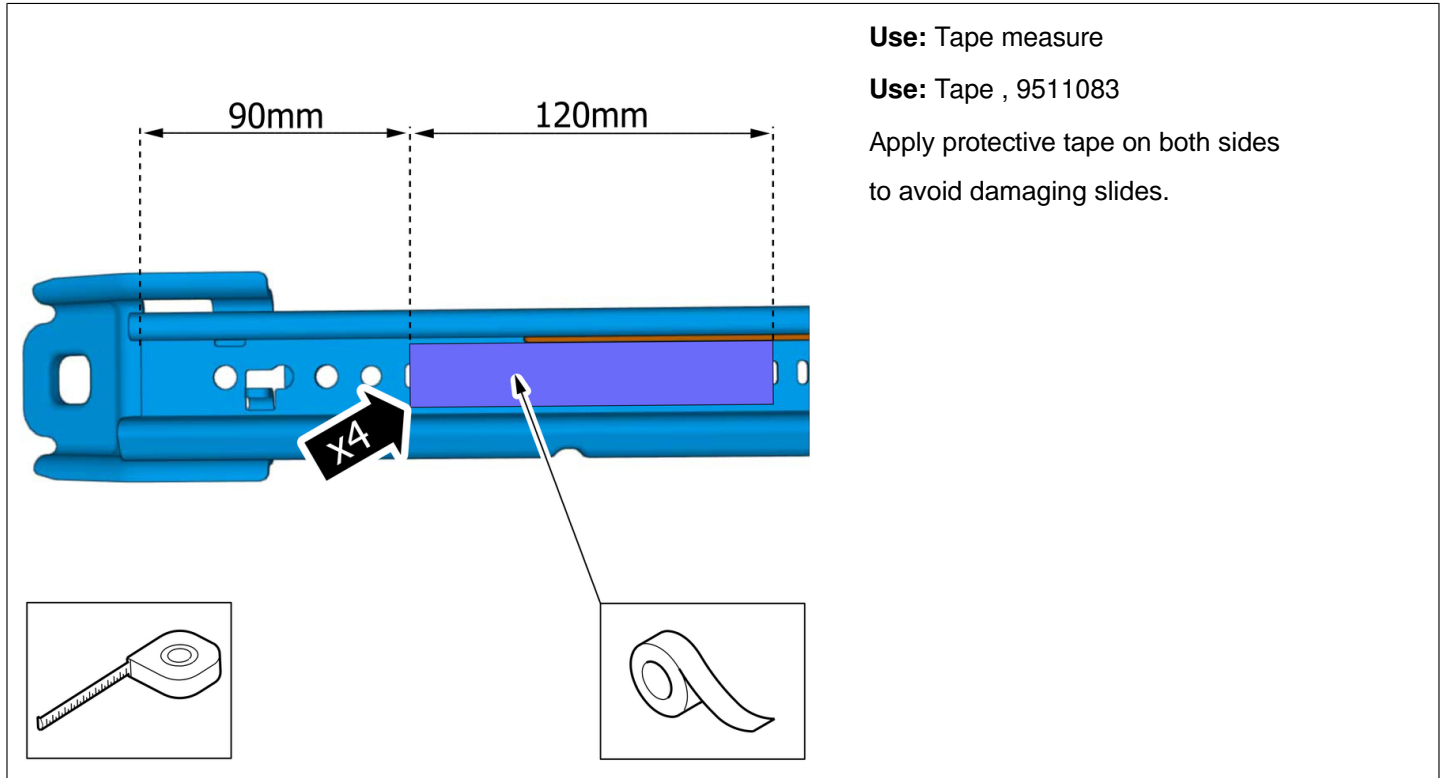


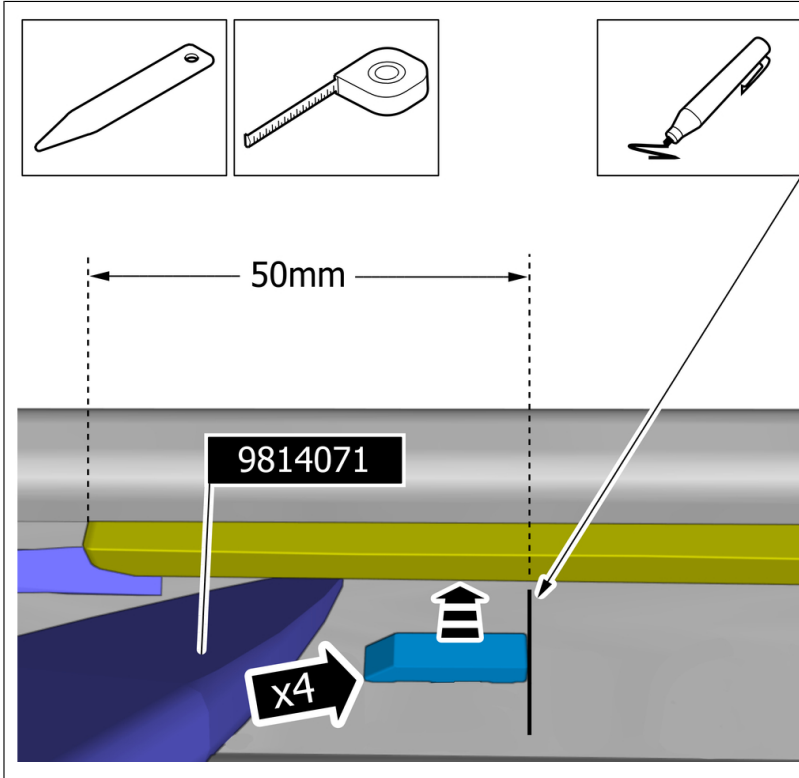
**Adjustment**



Clean the marked area.

**Use:** Cleaning agent , 1161721





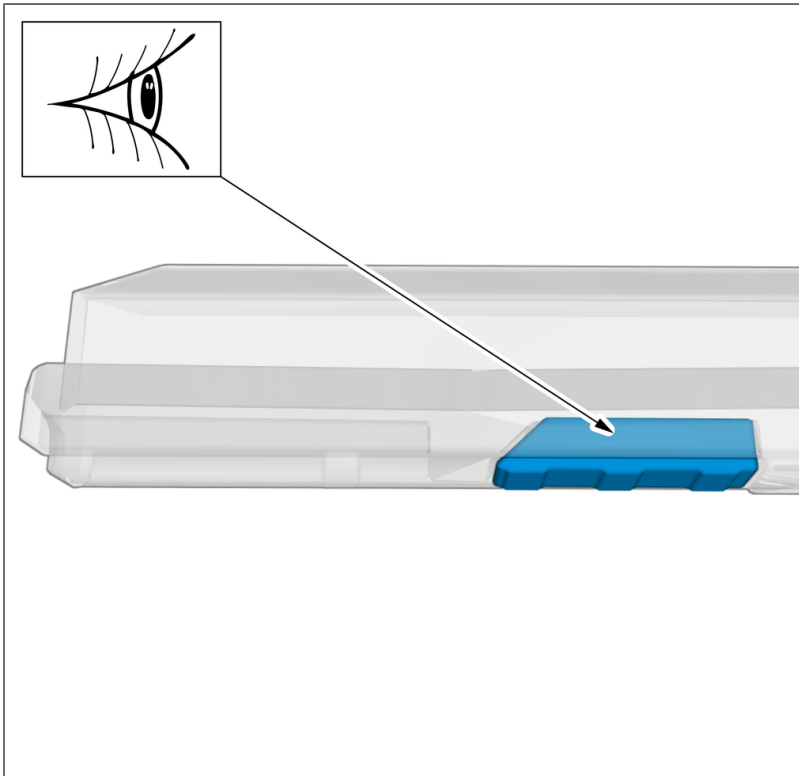
**Caution! Make sure that the components are not forcibly bent.**

**Use:** Tape measure

Mark using a pen

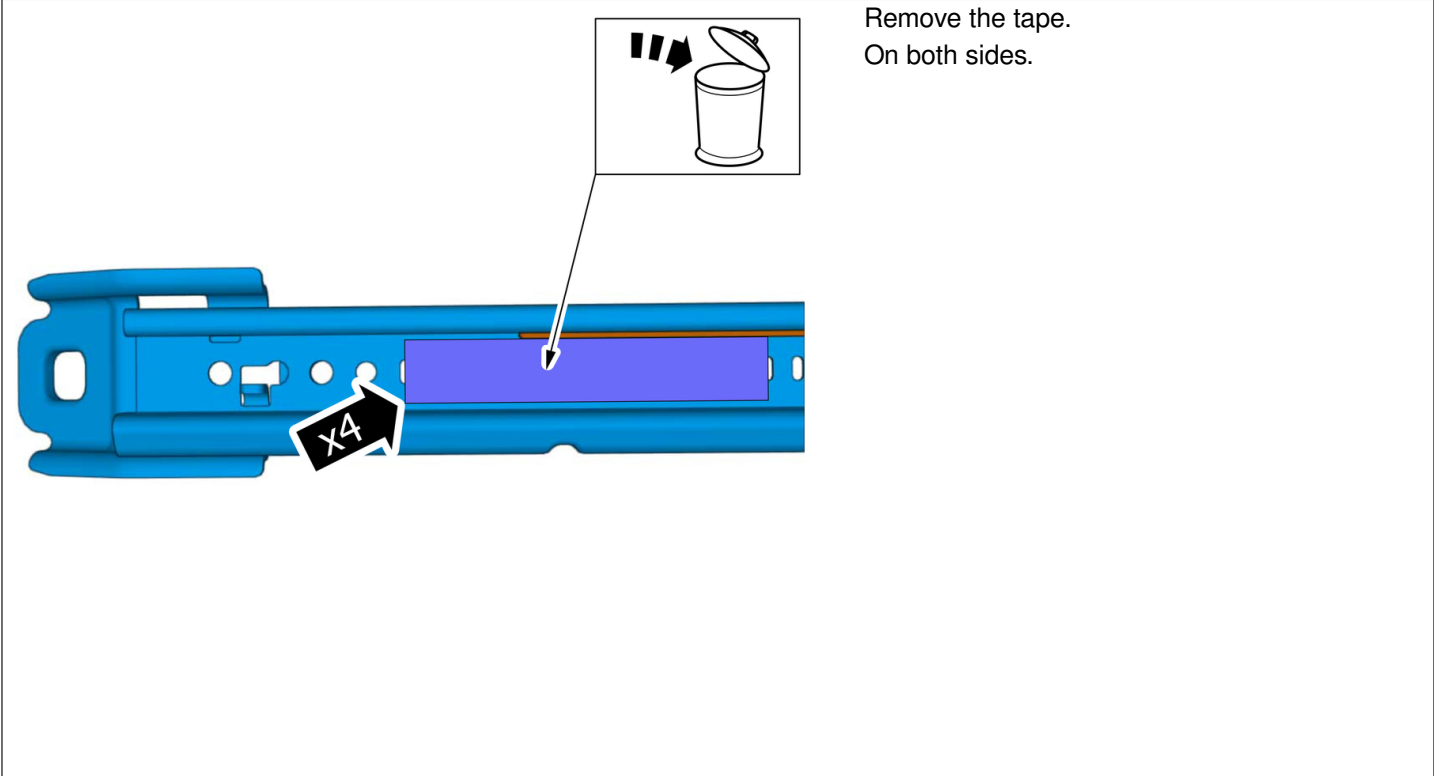
Special Tool: T9814071, Interior trim remover

On both sides.



**Caution! Make sure that the component is positioned correctly.**

On both sides.



Remove the tape.  
On both sides.

x4