



# Technical Journal

TITLE:

**Service Action S89807: Exterior door handle tape**

<b>REF NO:</b> TJ 32183.1.1	<b>ISSUING DEPARTMENT:</b> Technical Service	<b>CAR MARKET:</b> United States and Canada	
<b>PARTNER:</b> 3 US 7510 Volvo Car USA		<b>ISSUE DATE:</b> 2016-12-05	<b>STATUS DATE:</b> 2016-12-20
<b>FUNC GROUP:</b> 8300	<b>FUNC DESC:</b> Doors, lids and convertible top	Page 1 of 7	

“Right first time in Time”

## Attachment

File Name	File Size
TJ 32183.pdf	1.0736 MB

## Vehicle Type

Type	Eng	Eng Desc	Sales	Body	Gear	Steer	Model Year	Plant	Chassis range	Struc Week Range
234							2017-2017	21	0000201-0006645	0-0
256							2016-2017	21	0000202-0133150	0-0

## CSC Customer Symptom Codes

Code	Description
XW	Service/repair/Service action/Recall

## VST Operation Number

## DTC Diagnostic Trouble Codes

Rows beginning with \* are modified

Note! If using a printed copy of this Technical Journal, first check for the latest online version.

## Text

**DESCRIPTION:**

Volvo Car USA LLC and Volvo Car of Canada Ltd (Volvo) on behalf of Volvo Car Corporation, has decided to launch Service Campaign S89807 on certain model year 2016 – 2017 XC90 and S90 vehicles.

Volvo has identified the painted surface under the exterior door handles may become scratched by the handles.

**SERVICE:**

The corrective action is add tape under all four (4) exterior door handles per attached instructions.

**VEHICLE REPORT:**

NA

**To view TJ attachment continue to next page. This TJ has one attachment.**



## Volvo Car Customer Service

QB Instruction VCC-496312-1

<b>Title</b>	Exterior Door Handle	<b>Page</b>	1 ( 5 )
<b>Action</b>	Adjustment	<b>Operation number:</b>	97173-2

<b>Issue</b>	<b>Date</b>	<b>Reason</b>
1	2016-10	First issue

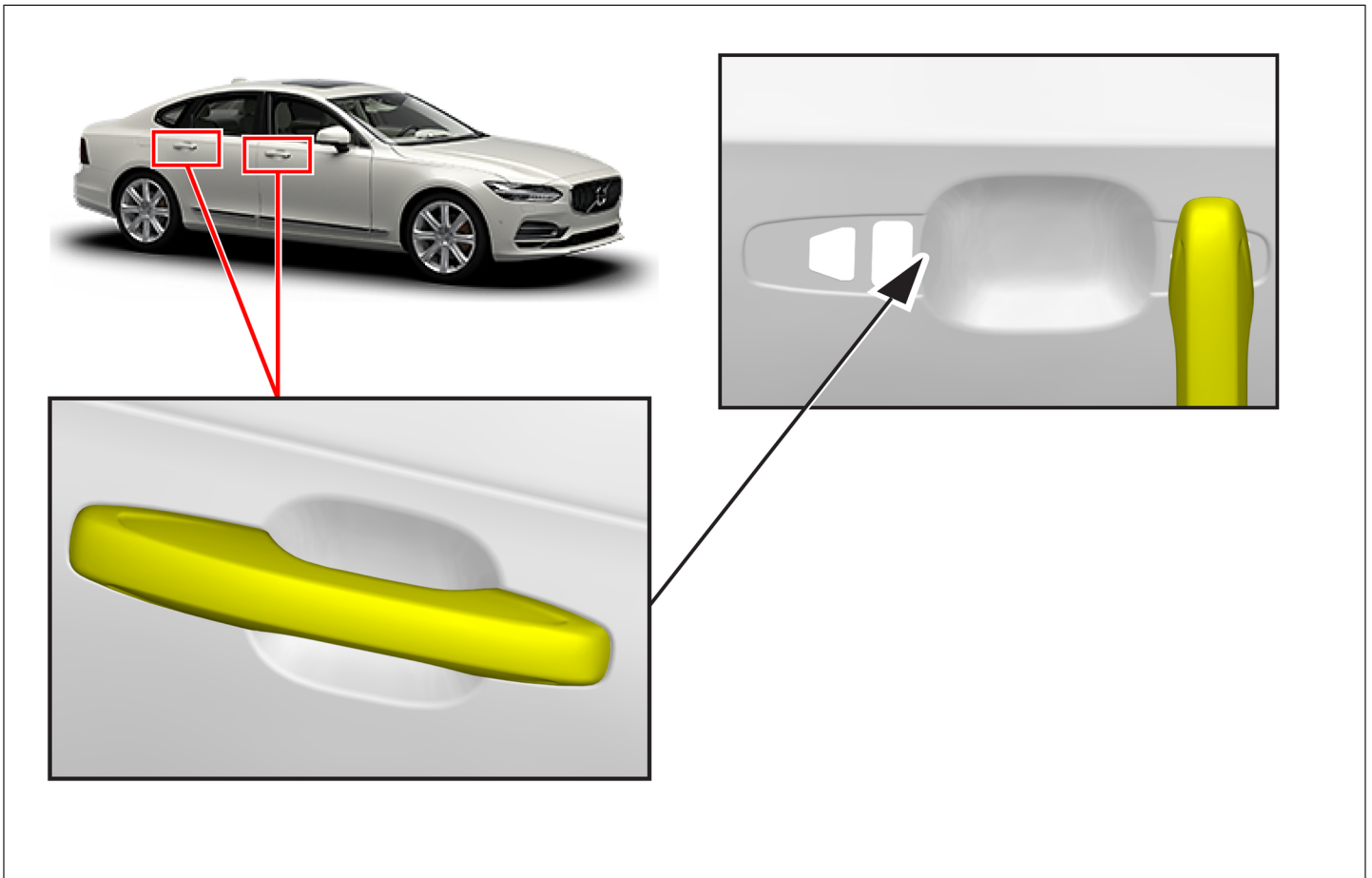
### Affected vehicles

<b>Model year</b>	<b>Model</b>
2017	S90 (17-)
2016, 2017	XC90 (16-)

### Materials

<b>Materials</b>	<b>Qty.</b>	<b>Part No.</b>	<b>Notes</b>
Cleaning agent	0.01		
Tape	4.0	31675400	

Orientation view



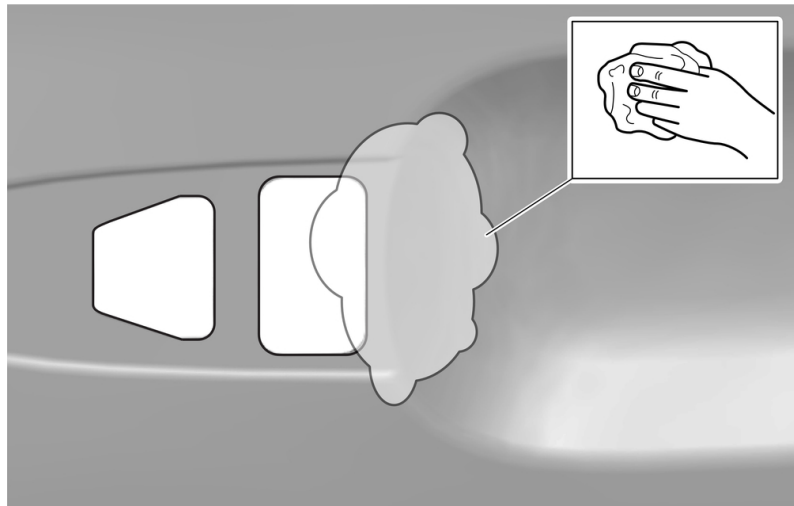
Color symbols

The color symbols are arranged in three rows and three columns. The first row contains a blue circle with '1', a purple circle with '3', and a light blue circle with '5'. The second row contains a green circle with '2', a yellow circle with '4', and a white circle with '6'. The third row contains an orange circle with '2'.

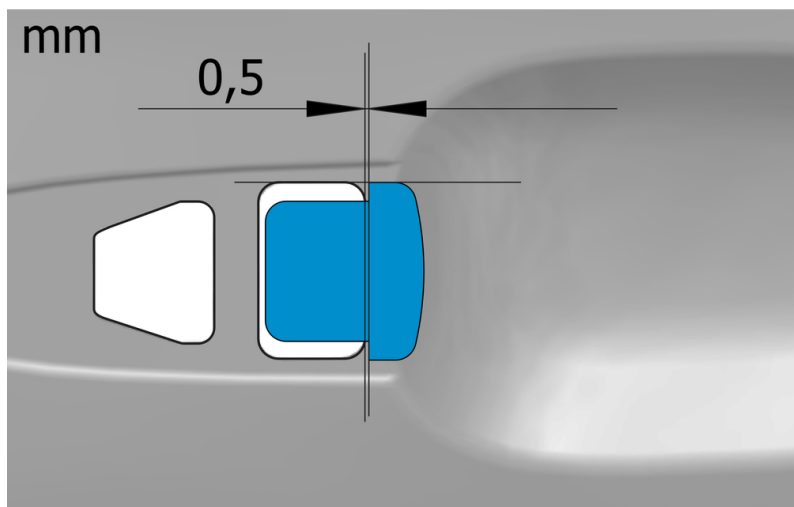
**Note! This colour chart displays (in colour print and electronic version) the importance of the different colours used in the images of the method steps.**

- 1 . Used for focused component, the component with which you will do something.
- 2 . Used as extra colors when you need to show or differentiate additional parts.
- 3 . Used for attachments that are to be removed/installed. May be screws, clips, connectors, etc.
- 4 . Used when the component is not fully removed from the vehicle but only hung to the side.
- 5 . Used for standard tools and special tools.
- 6 . Used as background color for vehicle components.

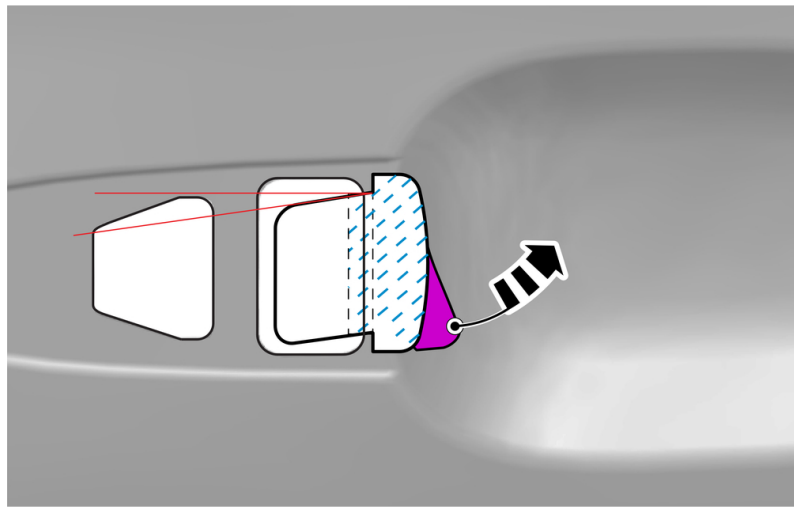
Remove handle outer, side door , refer to:  
Removal, replacement and installation  
8 - Body and interior  
83 - Doors and lids  
834 - lock, handle



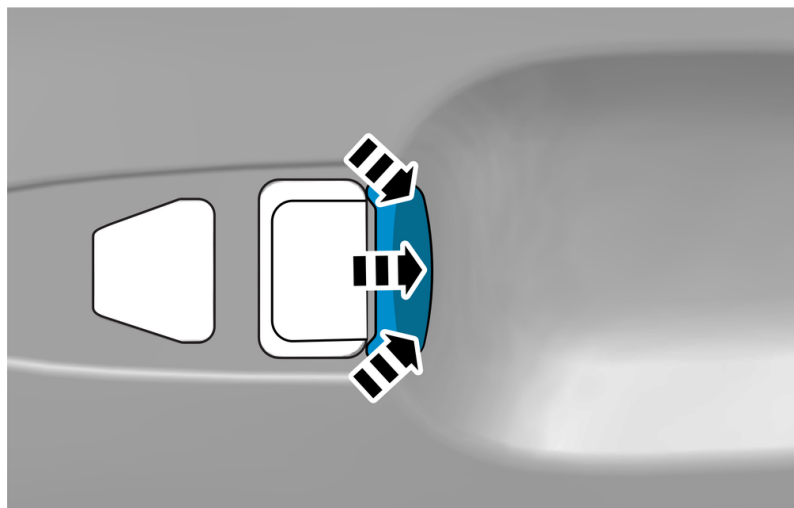
**Use:** Cleaning agent



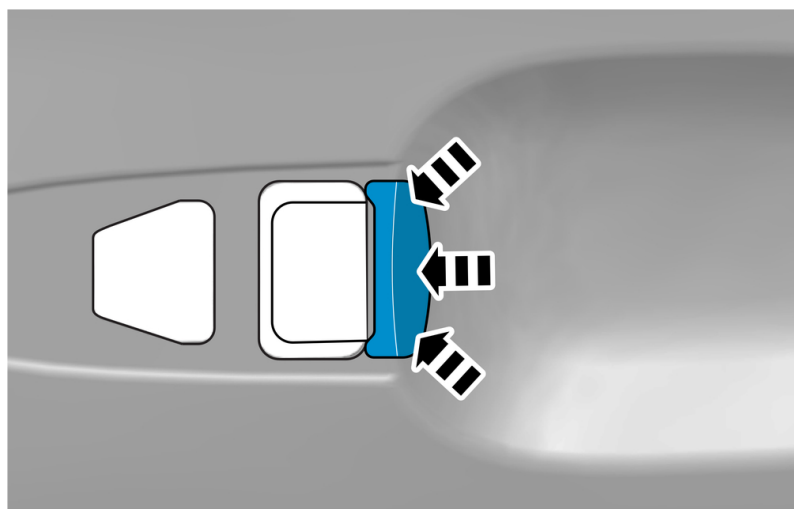
On both sides.

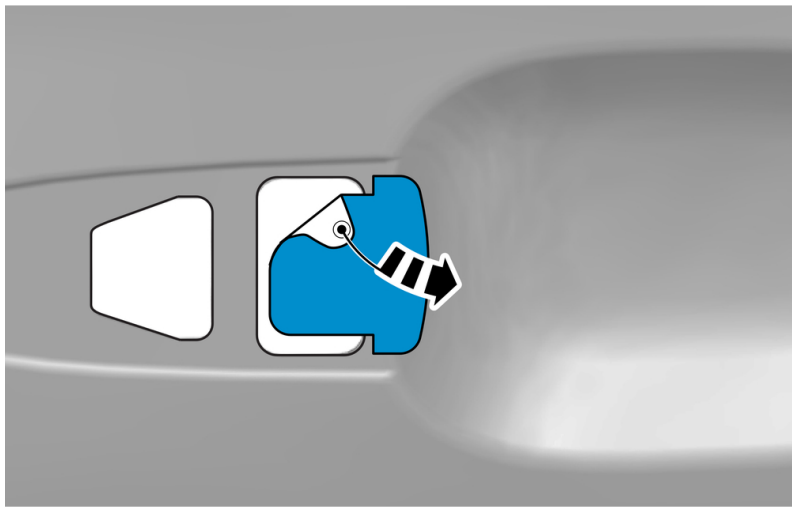


Press the marked component.

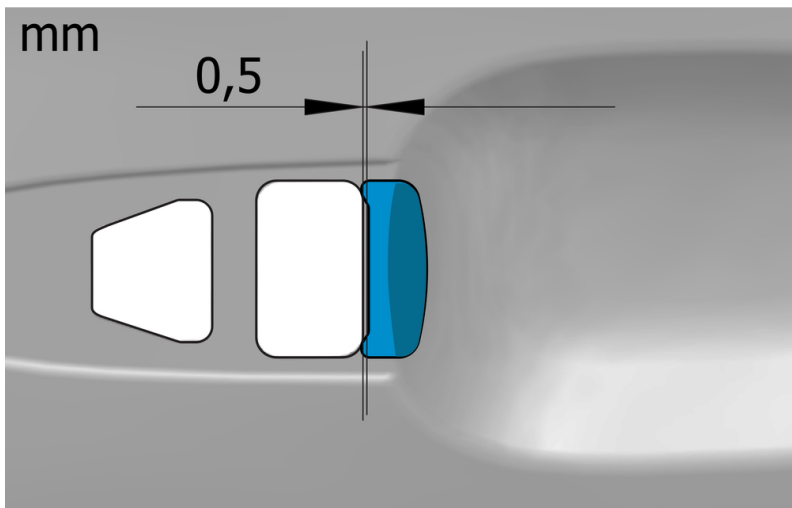


Press the marked component.





Remove the marked part.



Check the value.