

Measure no.

US 35742107-10

Subject

Loss of coolant from expansion tank

Status date (mm/dd/yy)

4/22/16

Status

Accepted

Organization

US, MOT

Date created (mm/dd/yy)

4/22/16

Created by

Carsten Gruetzmacher

PQM Problem reference**Release date (mm/dd/yy)****Approved by****Dealer release**

Allow automatic release

Vehicles affected**E series**

K73/02

Engine

2-ZYL

Body**Production period (from/to)**

(mm/dd/yy)

/

Comment on production period**Feedback (all cases relating to****measure up to) (mm/dd/yy)****Complaint**

Coolant escapes from the expansion tank 17 11 7 678 286 (construction status without vapor discharge hose) dirties the vehicle.

Cause

Construction design of the expansion tank and breather cap.

Measure

The expansion tank with mounted parts is only to be replaced in the event of verified customer complaint (For a description see 17 13 001 and 17 13 503 service data DVD RSD (repair and service data for BMW Motorrad))

For a details: See SIB 17 001 13 (012) Coolant Expansion Tank with Vapor Discharge Hose.

Complaint

Fault location	Fault type	Fault place	Fault conditions
Driving	Leak: coolant	Front right	When driving / stationary

Cause

#	Fault location	Fault type	Fault place
1	17/13 Expansion tank for coolant, motorcycle		
Repair Task	Special Clearance	Area	
Replace	No	Powertrain	

Fault code

Progman / DIS / ISTA / ISTA/P

System	State	Version
--------	-------	---------

Retail Operator General Manager	Sales New Motorcycles	Sales Pre-Owned Motorcycles	Business Manager (F&I)	Service	Parts & Accessories	Administration
Date: April 2013	Source: SI 14/2013					
Bulletin # 17 001 13 (012)	Name: Shawn McLean					
	Title: Service & Technical Manager					
	Phone: 201-307-4131					



BMW Motorrad USA

Service Information Bulletin

Subject: Coolant Expansion Tank with Vapor Discharge Hose

Models: F 800 R (K73/02)

Details: In isolated cases, under extreme acceleration, coolant escapes through the expansion tank's breather port.

Vehicles affected: All F 800 R (K73/02) models up to and including VIN Z392127.

Production Solution: Since January 23, 2013 (from VIN Z392128 onward) an expansion tank optimized with regard to both shape and venting has been installed in series production.

Aftersales solution: Only in the event of a **verified customer complaint**, replace the expansion tank with add-on parts (see the description in attached work items 17 13 001 and 17 13 503). The work items attached to this Service Information bulletin will be published on the RSD (Repair and Service Data BMW Motorrad) DVD, edition 06/2013. From then on, always check the current edition of the RSD DVD for details of the description.

Warranty Information: The repair described in this bulletin is covered by the normal terms of the BMW New Motorcycle Limited Warranty.

Defect code:	17 11 90 14 00	Replacing expansion tank
FRU code:	17 13 001	Replace expansion tank See RSD for FRU amounts
	17 13 503	Installing vapor discharge hose (expansion tank removed) See RSD for FRU amounts
	46 52 510	Removing and installing rear-wheel stand special tool (motorcycles without center stand) See RSD for FRU amounts
Part numbers:	17 11 8 525 449	Expansion tank
	17 13 8 527 087	Cap
	17 11 8 525 470	Vapor discharge hose
	16 14 1 183 085	Hose clip

Contact: Service and Technical Manager

Work item: 17 13 001 Replace expansion tank

Preparatory work: Removing and installing the rear-wheel stand special tool (motorcycles without center stand) (Description in item: 46 52 510, Billed as a separate item).

Refer to the latest RSD for the following

Removing seat

Removing center trim panel

Removing right side panel

Note: For a first-time installation, the appropriate vapor discharge hose has to be retrofitted per work item 17 13 503 Installing vapor discharge hose (expansion tank removed).

Removing expansion tank

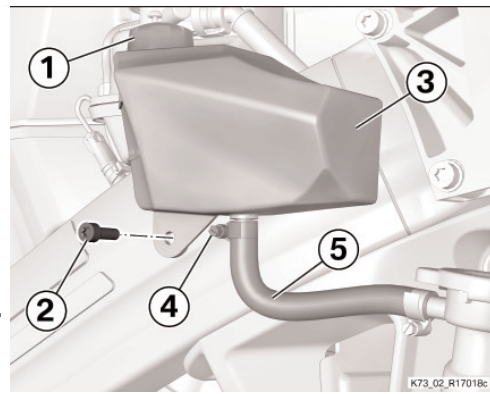
Remove cap (1).

Remove screw (2).

Disengage expansion tank (3) and drain it. (save coolant for refilling)

Open clip (4) and disconnect coolant hose (5).

Remove expansion tank (3).



Note: **Before** installing the optimized expansion tank for the first time, install vapor discharge hose.

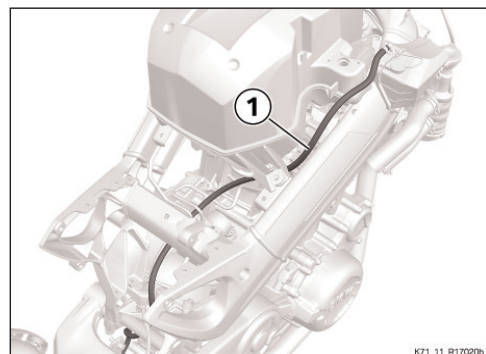
Work item: 17 13 503 Installing vapor discharge hose (expansion tank removed)

Preparatory work: Release voltage regulator

Attention: The hose can be damaged by the hot exhaust system. Make sure that there is sufficient clearance between the hose and the exhaust system.

Installing vapor discharge hose

Route vapor discharge hose (1).



Finishing work: Secure voltage regulator

Continue with work item 17 13 001 Replace expansion tank

Work item 17 13 001 Replace expansion tank
continued:

Installing optimized expansion tank

Connect coolant hose (1) to expansion tank (2) and secure it with clip (3).

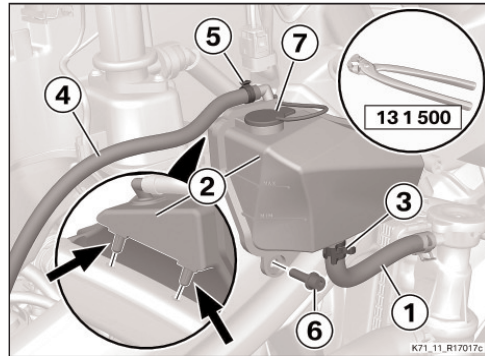
Connect vapor hose (4) to expansion tank (2) and secure clip (5) with pliers (13 1 500).

Engage expansion tank (2) with the retaining lugs (arrows). Install screw (6) and tighten to specified torque.

Fill expansion tank (2) with coolant up to the MAX mark.

Secure cap (7).

After a test rise or after allowing the engine to warm up to operating temperature, check the fluid level in the expansion tank when the coolant is cold.



Tightening torques	
Expansion tank to frame	
M6 x 16 Thread-locking compound (mechanical) or Thread-locking compound (Loctite 243 medium strength, 83 19 2 210 339)	2.5 Nm

Finishing work:

Install right side panel

Install center trim panel

Install seat

Final check of work performed