



Noise from Cargo Cover

MODEL

F36 (4-Series Gran Coupe)

SITUATION

A rattling sound may be heard from the rear cargo cover.


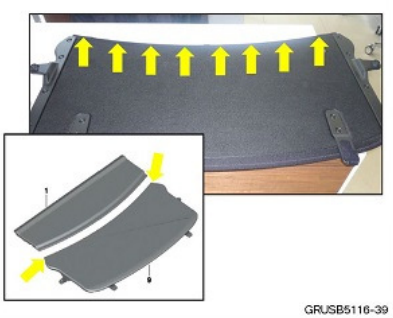
CAUSE

Excessive clearance on mounting tabs.

CORRECTION

Add felt tape to front and rear support surfaces.

PROCEDURE

| | |
|--|---|
| <p>A</p>  <p>GRUSB5116-38</p> | <ol style="list-style-type: none"> 1. Remove rear cargo cover. 2. Install felt tape on locating tabs as shown in Figure A. |
| <p>B</p>  <p>GRUSB5116-39</p> | <ol style="list-style-type: none"> 3. Install felt tape along the underside of the leading edge of the cargo cover. 4. Reinstall cargo cover. |

PARTS INFORMATION

| Part Number | Description | Quantity |
|-----------------|--------------------|-----------|
| 51 45 2 353 024 | Set of felt strips | As needed |

WARRANTY INFORMATION

Covered under the terms of the BMW New Vehicle Limited Warranty for Passenger Cars and Light Trucks.

| | | |
|-------------------------|-------------------------|--|
| Defect Code: | 51 46 00 39 00 | |
| | | |
| Labor Operation: | Labor Allowance: | Description: |
| 51 46 003 | Refer to KSD2 | Removing and installing or replacing trim panel for hat rack (Main work) |
| And: | | |
| 51 99 000 | 1 FRU | Work time for installing felt tape on cargo cover (hat rack) |

If you are using a Main labor code for another repair, use the Plus code labor operation 51 46 503 instead.

And:

Sublet – Bulk Materials

| | | |
|----------------------|--|--|
| Sublet Code 4 | See sublet reimbursement calculation below | Reimbursement for the repair-related bulk materials (BMW part number, please do not use the part numbers for claim submission) |
|----------------------|--|--|

Sublet reimbursement calculation for claiming the “used quantities” of repair-related bulk materials (BMW part numbers) is at dealer net plus your center’s handling.

Enter this material cost in sublet and itemize the amount on the repair order and in claim comment section.

[Copyright ©2016 BMW of North America, Inc.]