

- ATTENTION:**
- GENERAL MANAGER
 - PARTS MANAGER
 - CLAIMS PERSONNEL
 - SERVICE MANAGER

IMPORTANT - All Service Personnel Should Read and Initial in the boxes provided, right.

© 2015 Subaru of America, Inc. All rights reserved.



QUALITY DRIVEN® SERVICE

SERVICE BULLETIN

APPLICABILITY: 2012-**16MY** Impreza and XV Crosstrek Models **NUMBER:** **12-182-15R**
 2015-**16MY** WRX and STI Models **DATE:** 03-30-15
SUBJECT: New Front Door Checker Mechanism **REVISED:** **04-15-16**

INTRODUCTION

This bulletin announces availability of a new front door checker mechanism designed to hold the doors more securely when they are in partially open / closed positions. An additional detent position has also been added.

PRODUCTION CHANGE INFORMATION:

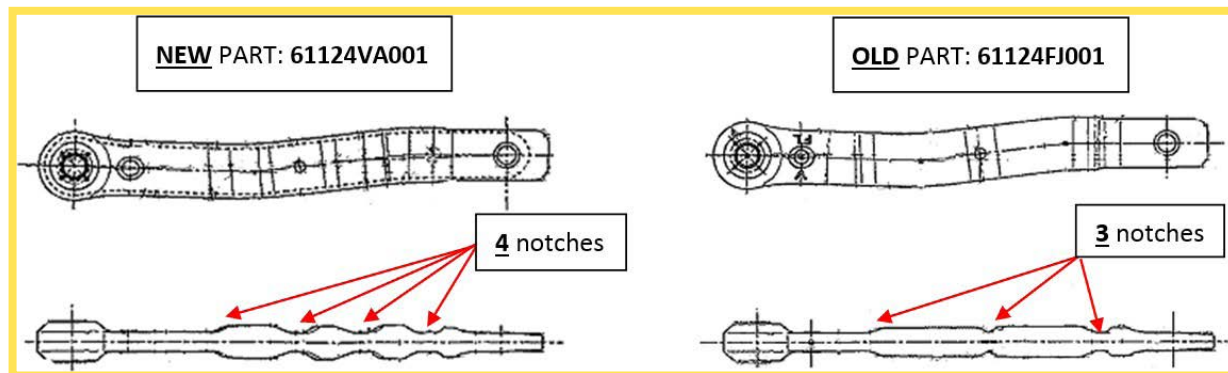
The new door checker assemblies were incorporated into production starting with the following VINs:

Vehicle / Model	Starting VIN
WRX / WRX STI	G*825390
Impreza 4-Door	G*008666
Impreza 5-Door	G*239670
XV Crosstrek	G*239670

PART INFORMATION

NOTE: The same part number is used for both the left and right front doors.

DESCRIPTION	NEW PART NUMBER	OLD PART NUMBERS
CHECKER ASSY DR F	61124VA001	61124FJ001 and 61124VA000



Continued...

CAUTION: VEHICLE SERVICING PERFORMED BY UNTRAINED PERSONS COULD RESULT IN SERIOUS INJURY TO THOSE PERSONS OR TO OTHERS.

Subaru Service Bulletins are intended for use by professional technicians ONLY. They are written to inform those technicians of conditions that may occur in some vehicles, or to provide information that could assist in the proper servicing of the vehicle. Properly trained technicians have the equipment, tools, safety instructions, and know-how to do the job correctly and safely. If a condition is described, DO NOT assume that this Service Bulletin applies to your vehicle, or that your vehicle will have that condition.

SUBARU OF AMERICA, INC. IS ISO 14001 COMPLIANT

ISO 14001 is the international standard for excellence in Environmental Management Systems. Please recycle or dispose of automotive products in a manner that is friendly to our environment and in accordance with all local, state and federal laws and regulations.

SERVICE PROCEDURE / INFORMATION

NOTE: Replace the checkers on both front doors at the same time following the replacement procedure in the applicable Service Manual.

WARRANTY / CLAIM INFORMATION

For vehicles within the Basic New Car Limited Warranty period or covered by a Subaru Added Security Gold plan, this repair may be submitted using the following claim information:

LABOR DESCRIPTION	LABOR OPERATION #	FAIL CODE	LABOR TIME
One Door Checker R&R	B915-211	XGT-49	0.3
Additional Door Checkers R&R	C915-215		0.2

IMPORTANT REMINDERS:

- SOA strongly discourages the printing and/or local storage of service information as previously released information and electronic publications may be updated at any time.
- Always check for any open recalls or campaigns anytime a vehicle is in for servicing.
- Always refer to STIS for the latest service information before performing any repairs.