

ATTENTION:
 GENERAL MANAGER
 PARTS MANAGER
 CLAIMS PERSONNEL
 SERVICE MANAGER

IMPORTANT - All Service Personnel Should Read and Initial in the boxes provided, right.



QUALITY DRIVEN® SERVICE

PRODUCT CAMPAIGN BULLETIN

APPLICABILITY: 2015-2016 Legacy and Outback
SUBJECT: Propeller Shaft Oil Seal Failure

NUMBER: WQU-56R
DATE: August 2015
REVISED: September 15, 2015
NHTSA ID: 15V-502

INTRODUCTION

Subaru of America, Inc. (Subaru) is recalling certain 2015 and 2016 model year Legacy and Outback vehicles.

AFFECTED VEHICLES

Not all vehicles listed below are covered by this recall. Coverage for all affected vehicles must be confirmed by using the Vehicle Coverage Inquiry function on subarunet.com. This data is now available.

MODEL YEAR	MODEL	STARTING PRODUCTION DATE	ENDING PRODUCTION DATE
2015 & 2016	Legacy	July 3, 2015	July 25, 2015
2015 & 2016	Outback	July 3, 2015	July 27, 2015

DESCRIPTION OF THE SAFETY HAZARD

During the manufacturing process of the propeller shaft that connects to the vehicle’s transmission, the seal cap and seal located inside the propeller shaft yoke may have been deformed. As a result, the seal may leak transmission fluid. If the transmission fluid leaks onto an exhaust pipe, there is a possible risk of fire.

DESCRIPTION OF THE REMEDY

The propeller shaft assembly will be replaced at no charge.

SUBARU RETAILER PROGRAM RESPONSIBILITY

A STOP SALE order has been issued. Any vehicles listed in a recall/campaign that are in retailer stock must be:

- Immediately identified.
- Tagged or otherwise marked to prevent their delivery or use prior to inspection and/or repair.
- Repaired in accordance with the repair procedures outlined in this Product Campaign Bulletin.

Retailers are to promptly perform the applicable service procedures to correct all affected vehicles in their inventory (used, demo & SSLP). Additionally, whenever a vehicle subject to this recall is taken into retailer inventory, or in for service, necessary steps should be taken to ensure the recall correction has been made before selling or releasing the vehicle.

OWNER NOTIFICATION

Subaru will notify potentially affected vehicle owners by first class mail. This is expected to occur in late August. Retailers will be advised when owner notification begins. A copy of the owner notification letter is at the end of this bulletin.

Continued...

RETAILER AFFECTED VIN LISTS

Each Subaru retailer will receive an affected VIN list from their Zone Office prior to owner notification. Vehicles will be assigned based on the selling retailer information in Subaru's system. Retailers should use this information to contact owners to schedule this repair.

PARTS INFORMATION

Parts will start to be distributed the week of August 10. It is expected that all parts will be distributed by the week of August 17. Retailers should not order parts. Parts will be allocated and shipped based on sold vehicles and retailer inventory.

Detailed information will be posted on subarunet.com as shipments are arranged. If you have any questions regarding the shipments, please contact the Parts Information Coordinators at (866)782-2782.

Listed below are the parts required for this repair, and their applicability. Please be sure to use the correct parts and quantities for the model being repaired.

DESCRIPTION	PART NUMBER	APPLICATION	QUANTITY
PROPELLER SHAFT AY NCV	27111AL00A	Legacy H6	1
	27111AL01A	Outback H6	1
	27111AL02A	Legacy H4	1
	27111AL03A	Outback H4	1
GASKET CR	44022AA123	All	1
GASKET EPF	44011AC030	All H4	2
	44011AG040	All H6	2
GASKET EPR	44011AL000	All	1-H4, 2-H6
SELF-LOCKING NUT	902350001	All	2-H4, 4-H6
GASKET FILLER PLUG	803918060	All	1

NOTE: For the purposes of this campaign, the above listed parts will be shipped in appropriate quantities and combinations with the related propeller shaft assembly. Gaskets and nuts will be in a separate box packed inside the main box containing the propeller shaft.

REPAIR PROCEDURE

This campaign involves replacement of the propeller shaft assembly. During assembly of the front slip yoke component of the propeller shaft, the sealing cap may have become deformed resulting in the possibility of a transmission fluid leak. Fluid leaking from the deformed sealing cap may leak onto the exhaust system. Because none of the propeller shaft components are serviceable, the assembly must be replaced. The following information outlines the procedure for replacing the propeller shaft assembly.

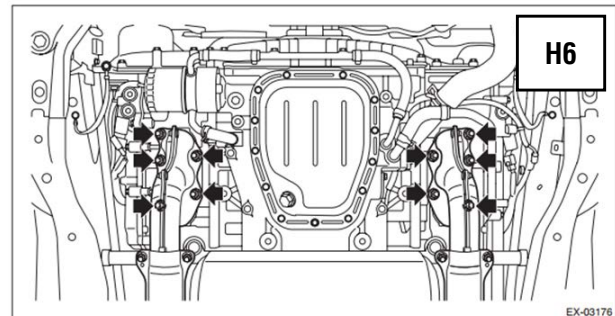
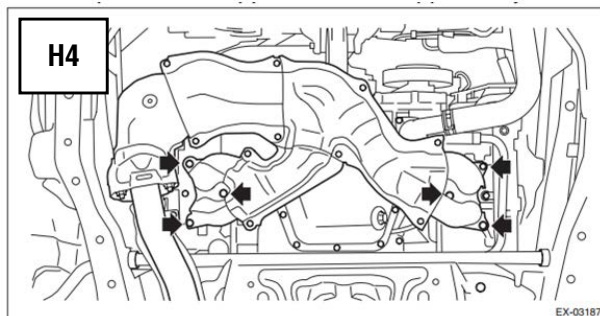
- Before installation, inspect the new propeller shaft for:
 - Dents or cracks on the tube surfaces
 - U-joint bind or abnormal noise
 - Center support bearing for excess free-play, noise or binding
 - Oil seals for wear or damage
- Record the customer's radio station presets and (navigation system favorites where applicable).
- Place the select lever in neutral.
- Release the parking brake.
- Disconnect the ground terminal from the battery sensor.
- Raise the vehicle.
- Remove the plastic engine under cover. **CAUTION:** The exhaust system may be **HOT**.

Continued...

- Remove the center exhaust pipe retaining nuts and spring bolts and separate the center exhaust pipe from the front exhaust pipe assembly. Retain the nuts, springs, and bolts for later reuse. Use brake parts cleaner to clean the bolt threads if contaminated with any leaked oil or fluid.
- Disconnect the A/F and O2 Sensor wiring harness connectors.



- Remove the bolt(s) which hold the center exhaust pipe assembly to the hanger bracket.
- Remove the nuts holding the front exhaust pipe onto the cylinder heads. Retain these nuts for reuse.



CAUTION: The front exhaust pipe assembly is heavy and the heat shield edges can be very sharp. Use appropriate personal protective equipment (PPE) and care while lifting.

- Remove the front and center exhaust pipe from vehicle as an assembly.
- Remove the exhaust pipe heat shield.
CAUTION: The edges of the heat shield can be **very sharp**. Use appropriate PPE.
- Apply a thin coat of spray type (NON-SILICONE) lubricant to the mating areas of cushion rubber(s) to ease pipe disengagement. Remove the bolts and self-locking nuts securing the muffler(s) to the rear exhaust pipe and remove the rear exhaust pipe. Retain the bolts for reuse. Use brake parts cleaner to clean the bolt threads of any residual oil or fluid before installation.

NOTE: The self-locking nuts for the muffler installation and all the exhaust system's gaskets are one-time use items.

CAUTION: Where applicable, take precautions to keep the muffler(s) from contacting the underside of the rear bumper cover.

- Apply a coating of CVT fluid to the machined surface of the new propeller shaft slip yoke.
- Loosen but do not remove the 2 bolts securing the center support of the propeller shaft.

Continued...

- Remove the 4 nuts securing the propeller shaft to the differential input flange.
- Remove the 2 center support bolts and remove the propeller shaft.
- Install an extension plug into the back of the transmission or secure a plastic bag to the extension housing to catch any leaking CVT fluid once the old propeller shaft is removed.



IMPORTANT NOTE: There will be a very small amount of CVT fluid that will drip out of the transmission and the slip yoke after removing it from the transmission. **Always** make sure to thoroughly clean any fluid residue off of the exhaust system and surrounding components.

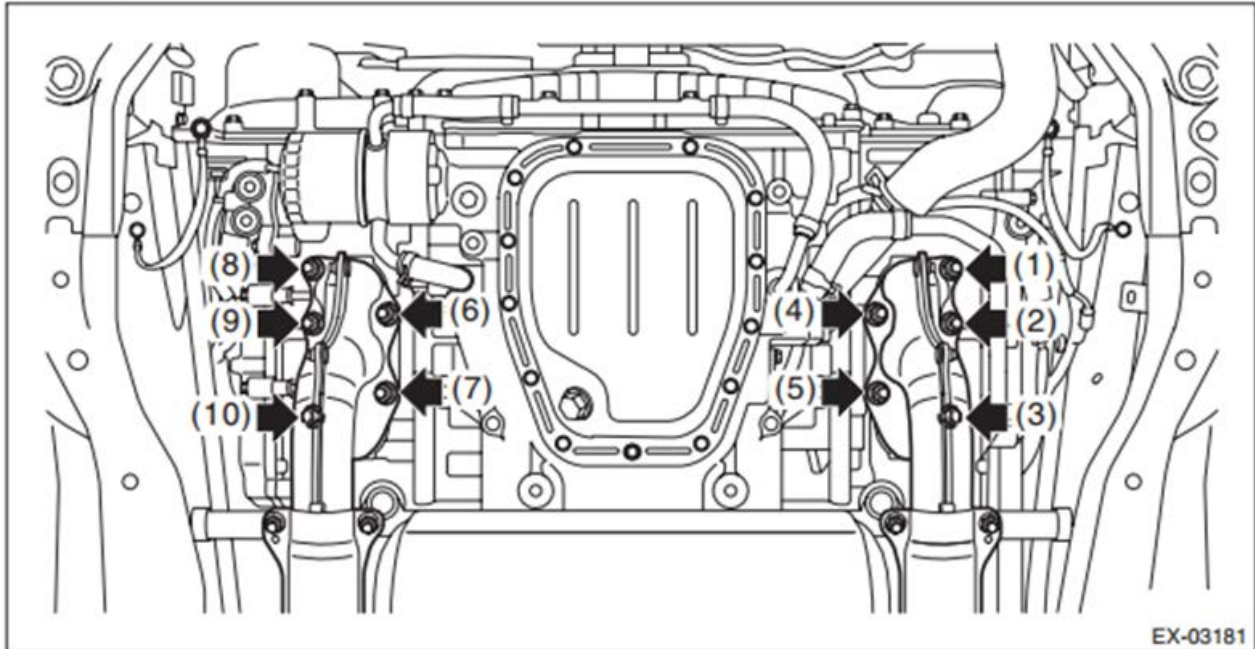
- Remove the plug or bag, insert the new propeller shaft into the extension housing and install the bolts securing the center support to the body. Torque the bolts to 52 Nm (38.4 ft. lbs.).
- If there is a paint mark on the new propeller shaft, align it with the paint mark on the differential input flange as shown below. Use brake parts cleaner to make sure the 4 propeller shaft bolts and nuts are clean before reinstalling them. Torque the nuts to 31 Nm (22.9 ft. lbs.).



- Reinstall the heat shield and torque the 4 bolts to 18 Nm (13.3 ft. lbs.).
- Reinstall the rear exhaust pipe assembly using new rear gasket(s) and self-locking nuts to secure the muffler(s). Torque the new self-locking nuts to 48 Nm (35.4 ft. lbs.).
- Reinstall the front exhaust pipe assembly using new gaskets. Temporarily tighten the nuts holding the assembly to cylinder heads.

Continued...

- Reinstall the bolt(s) which hold the center exhaust pipe to the hanger bracket and torque to **35 Nm (25.8 ft. lbs.) for H4 models and 30 Nm (22.1 ft. lbs.) for H6 models.**
- Torque the nuts at the cylinder heads to 30 Nm (22.1 ft. lbs.). On H6 models, follow the sequence shown in the illustrations below.

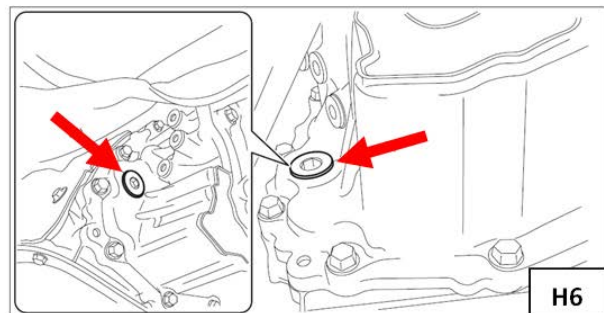
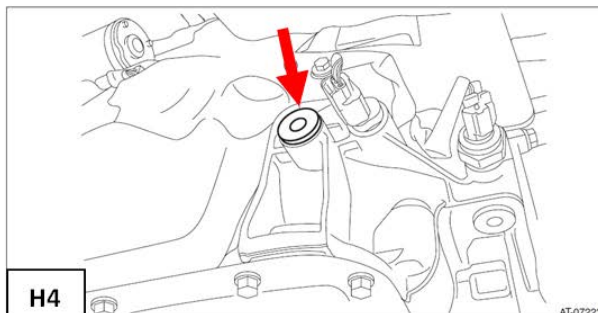


- Reconnect the A/F and O2 Sensor wiring harness connectors.
- Re-connect the center exhaust pipe using a new gasket and torque the 2 spring bolt nuts to 18 Nm (13.3 ft. lbs.).
- Lower the vehicle.
- Reconnect the ground terminal to the battery sensor.

IMPORTANT: Inspect the fluid level of the CVT following the procedure below:

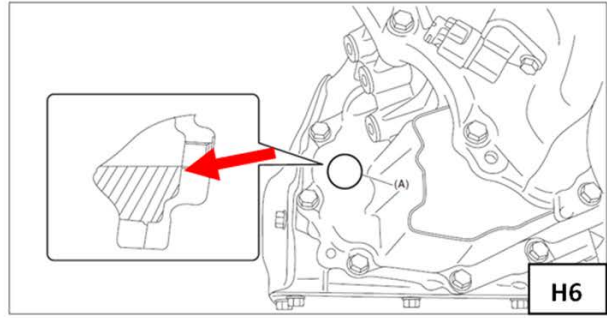
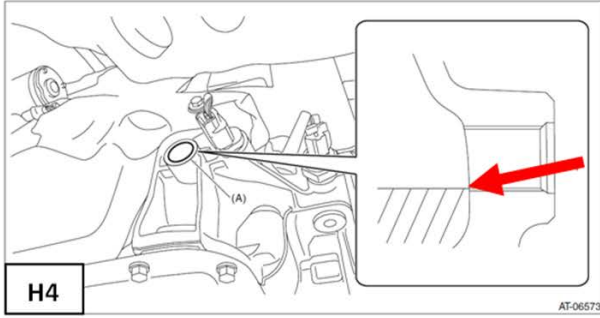
- Start the engine and raise the CVTF temperature to 35-45°C (95-113°F) using the SSM.
- Operate the select lever from P → R → N → D and from D → N → R → P to fully circulate CVTF with the engine at idle.
- Raise the vehicle again and with the engine at idle, remove the filler plug shown in the illustrations below.

CAUTION: The exhaust system may be **HOT**.



- The CVT fluid level is correct when it is up to bottom of the filler plug hole.

Continued...



- If necessary, adjust the fluid level.
- Install a new filler plug gasket and torque to 50 Nm (36.9 ft. lbs.).

IMPORTANT: ALWAYS check for any residual CVT fluid which may have dripped onto the exhaust or other components during reassembly or the fluid level inspection and thoroughly wipe it clean.

- Reinstall the plastic engine under cover.
- Lower the vehicle.
- Reset the customer’s radio station presets and (navigation system favorites where applicable).
- Road test the vehicle to verify smooth operation and no fluid leakage.

CLAIM REIMBURSEMENT AND ENTRY PROCEDURES:

Credit to perform this recall will be based on the submission of properly completed repair order information. Retailers may submit claims through Vehicle Claim Entry on Subarunet.com.

CAMPAIGN CODE	CLAIM TYPE	LABOR OPERATION	LABOR TIME
WQU-56	RC	137-260	0.5

NOTE: If needed, 1 quart of CVT fluid (SOA635043 for H4 models or SOA635049 for H6 models) may be claimed for this repair when topping off the transmission.

<p>CAUTION: VEHICLE SERVICING PERFORMED BY UNTRAINED PERSONS COULD RESULT IN SERIOUS INJURY TO THOSE PERSONS OR TO OTHERS. Subaru Service Bulletins are intended for use by professional technicians ONLY. They are written to inform those technicians of conditions that may occur in some vehicles, or to provide information that could assist in the proper servicing of the vehicle. Properly trained technicians have the equipment, tools, safety instructions, and know-how to do the job correctly and safely. If a condition is described, DO NOT assume that this Service Bulletin applies to your vehicle, or that your vehicle will have that condition.</p>	<p>SUBARU OF AMERICA, INC. IS “ISO 14001 COMPLIANT” The international standard for excellence in Environmental Management Systems. Please recycle or dispose of automotive products in a manner that is friendly to our environment and in accordance with all local, state and federal laws and regulations.</p>
--	---

Continued...

OWNER NOTIFICATION LETTER

IMPORTANT SAFETY RECALL

This notice applies to the VIN identified in the address section printed below.



SUBARU

Subaru of America, Inc

Subaru Plaza

PO Box 6000

Cherry Hill, NJ 08034-6000

800-782-2783

www.subaru.com

**Subaru Recall Campaign WQU-56
NHTSA Recall No. 15V-502
August 2015**

Dear Subaru Owner:

This notice is sent to you in accordance with the National Traffic and Motor Vehicle Safety Act.

SUBARU OF AMERICA, INC. has decided that a defect, which relates to motor vehicle safety, exists in certain 2015 and 2016 model year Legacy and Outback vehicles.

You received this notice because our records indicate that you currently own one of these vehicles.

DESCRIPTION OF THE SAFETY DEFECT AND SAFETY HAZARD

During the manufacturing process of the propeller shaft that connects to the vehicle's transmission, the seal may have been deformed. As a result, the seal may leak transmission fluid. If the transmission fluid leaks onto an exhaust pipe, there is a possible risk of fire.

REPAIR

Subaru will replace the propeller shaft assembly in your vehicle at no cost to you.

WHAT YOU SHOULD DO

You should immediately contact your Subaru retailer (dealer) for an appointment to have the propeller shaft replaced.

As a precaution, until this repair is performed, it is highly recommended that you not park your vehicle in a garage, car port or other structure.

HOW LONG WILL THE REPAIR TAKE?

The time to replace the propeller shaft is approximately 30 minutes. However, it may be necessary to leave your vehicle for a longer period of time on the day of your scheduled appointment to allow your Subaru retailer flexibility in scheduling.

For your convenience, your retailer can provide a free loaner vehicle in the event that your vehicle cannot be repaired immediately. Please present this letter to your Subaru retailer at the time this repair procedure is performed.

CHANGED YOUR ADDRESS OR SOLD YOUR SUBARU?

If you have moved or sold your vehicle, please complete the enclosed prepaid postcard and mail it to us. Or if you prefer to update this information online, please go to www.subaru.com, select 'Customer Support,' then select 'Address Update' or 'Ownership Update' from the drop down menu.

Continued...

IF YOU NEED FURTHER ASSISTANCE:

To locate the nearest Subaru retailer you can access our website at www.subaru.com and select 'Find a Retailer.'

If you need additional assistance, please contact us directly:

- By e-mail: Go to www.subaru.com, Customer Support and select "Contact Us"
- By telephone: 1-800-SUBARU3 (1-800-782-2783)
Monday through Thursday between 7:30 a.m. and 8:00 p.m. ET
Friday between 10:30 a.m. and 5:00 p.m. ET
Saturday between 9:00 a.m. and 3:30 p.m. ET
- By U.S. Postal mail: Write us at Subaru of America, Inc., Attn: Customer-Retailer Services Department, P.O. Box 6000, Cherry Hill, NJ 08034-6000

Please contact us immediately if the Subaru retailer fails or is unable to make the necessary repairs free of charge.

You may also contact the Administrator, National Highway Traffic Safety Administration, 1200 New Jersey Ave. SE, West Building, Washington, DC 20590 or call the toll free Auto Safety Hotline at 1-888-327-4236 (TTY: 1-800-424-9153) or go to <http://www.safercar.gov> if you believe the Subaru retailer has failed or is unable to remedy your vehicle without charge within a reasonable amount of time.

Your continued satisfaction with your Subaru is important to us. Please understand that we have taken this action in the interest of your safety and your vehicle's proper operation. We sincerely apologize for any inconvenience this matter may cause and urge you to schedule an appointment as soon as possible to have this repair performed.

Sincerely,
Subaru of America, Inc.

Notice to Lessors: Under Federal law the lessor of a vehicle who receives this letter must provide a copy of it to the vehicle lessee(s) within 10 business days from receipt. The lessor must also keep a record of the lessee(s) to whom this letter is sent, the date sent, and the applicable vehicle identification number (VIN). (For the purposes of this section, a lessor means a person or entity that in the last twelve months prior to the date of this notification has been the owner, as referenced on the vehicle's title, of any five or more leased vehicles. A leased vehicle is a vehicle leased to another person for a term of at least four months.)

A subsidiary of Fuji Heavy Industries Ltd.