



**NUMBER:** 08-067-16

**GROUP:** Electrical

**DATE:** June 09, 2016

*This bulletin is supplied as technical information only and is not an authorization for repair. No part of this publication may be reproduced, stored in a retrieval system, or transmitted, in any form or by any means, electronic, mechanical, photocopying, or otherwise, without written permission of FCA US LLC.*

**THIS SERVICE BULLETIN IS ALSO BEING RELEASED AS RAPID RESPONSE TRANSMITTAL (RRT) 16-053. ALL APPLICABLE SOLD AND UN-SOLD RRT VIN'S HAVE BEEN LOADED. TO VERIFY THAT THIS RRT SERVICE ACTION IS APPLICABLE TO THE VEHICLE, USE VIP OR PERFORM A VIN SEARCH IN TECHCONNECT. ALL REPAIRS ARE REIMBURSABLE WITHIN THE PROVISIONS OF WARRANTY.**

***SUBJECT:***

Ignition Node Module Replacement

***OVERVIEW:***

This bulletin involves replacing the ignition node module.

***MODELS:***

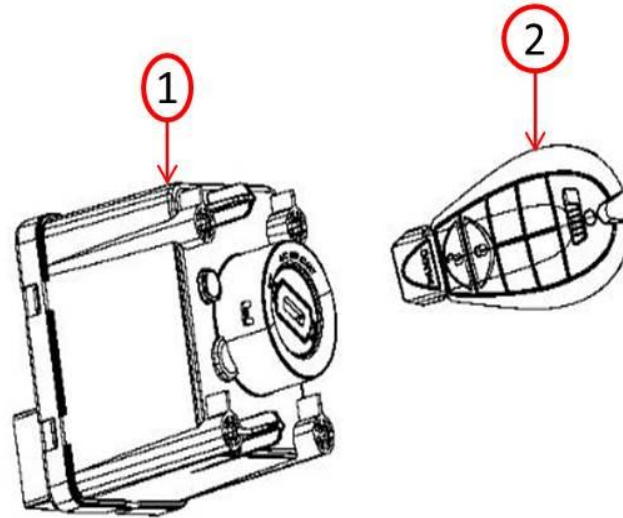
2016	(DS)	Ram 1500 Pickup
2016	(DJ)	Ram 2500 Pickup
2016	(D2)	Ram 3500 Pickup
2016	(DP)	Ram 4500/5500 Cab Chassis

**NOTE: This bulletin applies to vehicles within the following markets/countries:  
NAFTA.**

**NOTE: This bulletin applies to vehicles built on May 18, 2016 (MDH 0518XX) listed in VIP or RRT VIN list equipped with Instrument Panel Parts Module (Sales Code X81) without Keyless Go (Sales Code GX4).**

**SYMPTOM/CONDITION:**

Some customers may experience a no start issue when turning the key fob in the ignition node module(Fig. 1).



**Fig. 1 Ignition Node Module**

1 - Ignition Node Module

2 - Key Fob

**DIAGNOSIS:**

If a customer’s VIN is listed in VIP or your RRT VIN list, perform the repair.

**PARTS REQUIRED:**

Qty.	Part No.	Description
1	56046942AF	Switch, Ignition

**REPAIR PROCEDURE:**

1. Replace the ignition node module. Refer to the detailed service procedures available in DealerCONNECT> TechCONNECT under: Service Info>08 - Electrical/8E - Electronic Control Modules/Module, Ignition Node/Removal/Installation.

**POLICY:**

Reimbursable within the provisions of the warranty.

**TIME ALLOWANCE:**

<b>Labor Operation No:</b>	<b>Description</b>	<b>Skill Category</b>	<b>Amount</b>
08-19-74-90	Module, Ignition Node - Replace (1 - Semi-Skilled)	6 - Electrical And Body Systems	0.5 Hrs.

**FAILURE CODE:**

ZZ	Service Action
----	----------------