

Blind Spot Monitor DTC C1AB2 or C1AB3

Service Category Audio/Visual/Telematics

Section Park Assist/Monitoring

Market USA

Toyota Supports
 ASE Certification 

Applicability

YEAR(S)	MODEL(S)	ADDITIONAL INFORMATION
2016	Tacoma	

Introduction

Some 2016 model year Tacoma vehicles equipped with Blind Spot Monitor may exhibit a Blind Spot Monitor Warning message with Diagnostic Trouble Code (DTC) C1AB2 Short to GND in Outer Mirror Indicator (Master) or C1AB3 Short to GND in Outer Mirror Indicator (Slave) stored. Follow the Repair Procedure in this bulletin to address this condition.

Production Change Information

This bulletin applies to vehicles produced **BEFORE** the Production Change Effective VINs shown below.

MODEL	PLANT*	VDS	PRODUCTION CHANGE EFFECTIVE VIN
Tacoma	TMMTX	AZ5CN	5TFAZ5CN#GX001591
		BZ5DN	5TFBZ5DN#GX001019
		CZ5AN	5TFCZ5AN#GX002102
		DZ5BN	5TFDZ5BN#GX001498
	TMMBC	AZ5CN	3TMAZ5CN#GM003529
		BZ5DN	3TMBZ5DN#GM001307
		CZ5AN	3TMCZ5AN#GM003189
		DZ5BN	3TMDZ5BN#GM001392
		EZ5CN	3TMEZ5CN#GM003538
		GZ5AN	3TMGZ5AN#GM003174

* Plant is determined by digit 11. X=TMMTX M=TMMBC

Blind Spot Monitor DTC C1AB2 or C1AB3

Warranty Information

OP CODE	DESCRIPTION	TIME	OFF	T1	T2
EL1518	Replace Blind Spot Monitor Sensor (One Side)	2.5	88162-04010	8B	74
EL1518A	Other side	0.5			

APPLICABLE WARRANTY

- This repair is covered under the Toyota Basic Warranty. This warranty is in effect for 36 months or 36,000 miles, whichever occurs first, from the vehicle's in-service date.
- Warranty application is limited to occurrence of the specified condition described in this bulletin.

Parts Information

PART NUMBER		PART NAME	QTY
PREVIOUS	NEW		
88162-04010	88162-04011	Sensor, Blind Spot Monitor	1

Required Tools & Equipment

SPECIAL SERVICE TOOLS (SST)	PART NUMBER	QTY
Laser Radar Adjusting Reflector*	09870-60000	1
Reflector C*	09870-60040	1

* Essential SST.

NOTE

Additional SSTs may be ordered by calling 1-800-933-8335.

REQUIRED EQUIPMENT	SUPPLIER	PART NUMBER	QTY
Techstream 2.0*	ADE	TS2UNIT	1
Techstream Lite		TSLITEPDLR01	

* Essential SST.

NOTE

- Only ONE of the Techstream units listed above is required.
- Software version 11.00.017 or later is required.
- Additional Techstream units may be ordered by calling Approved Dealer Equipment (ADE) at 1-800-368-6787.

Blind Spot Monitor DTC C1AB2 or C1AB3

Repair Procedure

1. Using Techstream, check for stored DTCs.
Is DTC C1AB2 or C1AB3 present?
 - YES — Continue to step 2.
 - NO — This bulletin does NOT apply. Continue diagnosis using the applicable Repair Manual.

2. Remove Rear Bumper Assembly
 - 2016 Tacoma:
Vehicle Exterior – Exterior – “Rear Bumper (w/ Towing Package): Removal”

 - 2016 Tacoma:
Vehicle Exterior – Exterior – “Rear Bumper (w/o Towing Package): Removal”

3. Replace the Blind Spot Monitor Sensor indicated by the DTC.
 - A. Remove the Blind Spot monitor Sensor.
 - 2016 Tacoma:
Park Assist / Monitoring – Blind Spot Monitor System – “Blind Spot Monitor Sensor: Removal”

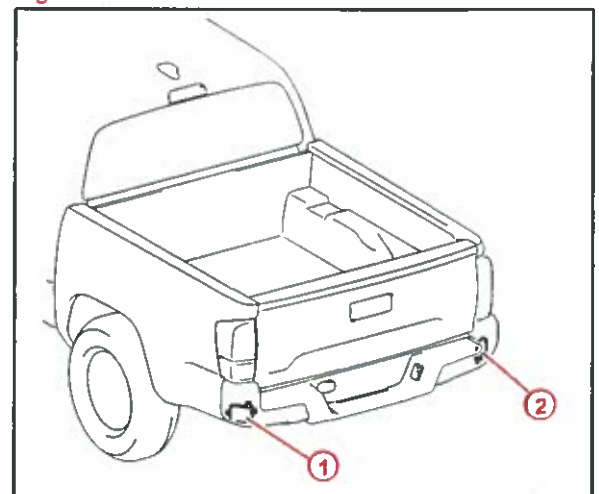
 - B. Install Blind the Spot Monitor Sensor with the 3 nuts.

*Torque: 9.0 N*m (92 kgf*cm, 80 in*lbf)*

4. Temporarily Install Bumper onto vehicle.
 - 2016 Tacoma:
Vehicle Exterior – Exterior – “Rear Bumper (w/ Towing Package): Installation”

 - 2016 Tacoma:
Vehicle Exterior – Exterior – “Rear Bumper (w/o Towing Package): Installation”

Figure 1.



1	Blind Spot Monitor Sensor LH (Master)
2	Blind Spot Monitor Sensor RH (Slave)

HINT

Bumper must be installed without extension housings covering Blind Spot Monitor sensor to complete the Blind Spot Monitor Installation Condition Inspection section of the Operation Check.

5. Perform Blind Spot Monitor System Operation Check.
 - 2016 Tacoma:
Park Assist/Monitoring – Blind Spot Monitor System – “Blind Spot Monitor Sensor: Operation Check”

Blind Spot Monitor DTC C1AB2 or C1AB3

Repair Procedure (Continued)

6. Remove Rear Bumper Assembly.
 - [2016 Tacoma](#):
Vehicle Exterior – Exterior – “Rear Bumper (w/ Towing Package): Removal”
 - [2016 Tacoma](#):
Vehicle Exterior – Exterior – “Rear Bumper (w/o Towing Package): Removal”
7. Reassemble the Rear Bumper Assembly.
 - [2016 Tacoma](#):
Vehicle Exterior – Exterior – “Rear Bumper (w/ Towing Package): Reassembly”
 - [2016 Tacoma](#):
Vehicle Exterior – Exterior – “Rear Bumper (w/o Towing Package): Reassembly”
8. Install Bumper onto vehicle.
 - [2016 Tacoma](#):
Vehicle Exterior – Exterior – “Rear Bumper (w/ Towing Package): Installation”
 - [2016 Tacoma](#):
Vehicle Exterior – Exterior – “Rear Bumper (w/o Towing Package): Installation”
9. Clear DTCs using Techstream.
10. Verify proper operation of the Blind Spot Monitor System.