

Front License Plate & Mounting Bracket Installation

Service Category General

Section Pre-Delivery Service

Market USA

Lexus Supports
ASE Certification 

Applicability

YEAR(S)	MODEL(S)	ADDITIONAL INFORMATION
2017	GS F, GS200T, GS350, GS450H	

Introduction

The front license plate mounting bracket and self-tapping screws for the 2017 model year GS F/200t/350/450h are stored in the luggage compartment of the vehicle. Install the license plate and mounting bracket during Pre-Delivery Service (PDS).

Warranty Information

OP CODE	DESCRIPTION	TIME	OFP	T1	T2
N/A	Not Applicable to Warranty	–	–	–	–

Front License Plate & Mounting Bracket Installation

Installation Procedure for GS 200t/350/450h (Except F SPORT)

NOTE

For F SPORT and GS F packages, see additional instructions.

1. Locate the front license plate mounting bracket over the radiator grille.
2. Align holes "A" of the mounting bracket with the dimples on the front bumper cover.

NOTICE

Do NOT drill into the dimples on the front bumper cover.

NOTE

- Holes "A" are used to install the mounting bracket to the bumper cover.
- Holes "B" are used to install the front license plate to the mounting bracket.

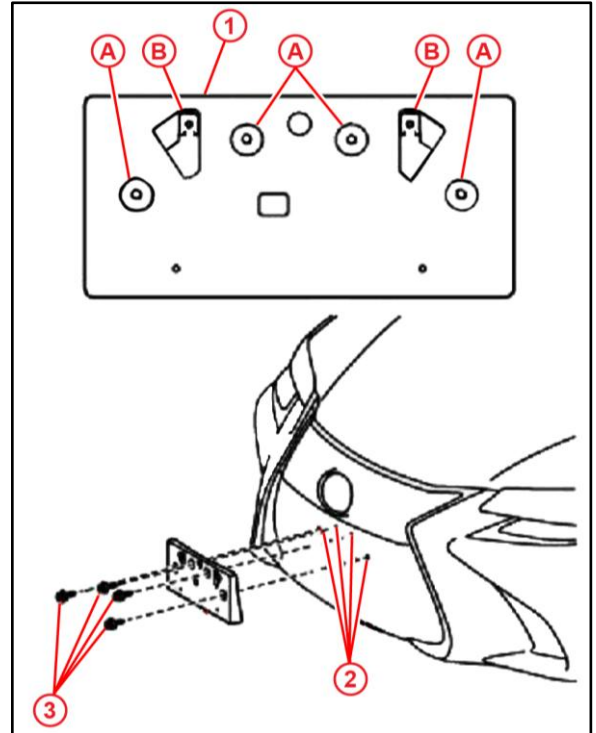
3. Install the mounting bracket to the front bumper cover using 4 self-tapping screws.

NOTICE

Do NOT over-tighten the self-tapping screws.

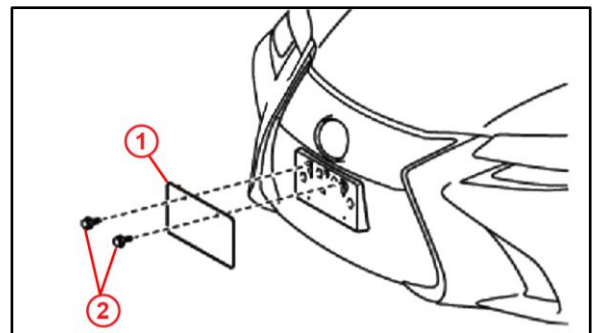
4. Install the front license plate to the mounting bracket using the 2 bolts.

Figure 1.



1	Mounting Bracket
2	Dimples
3	Self-tapping Screws

Figure 2.



1	Front License Plate
2	Bolts

Front License Plate & Mounting Bracket Installation

Installation Procedure for GS F

1. Locate the front license plate mounting bracket over the radiator grille.
2. Align holes "A" of the mounting bracket with the dimples on the front bumper cover.

NOTICE

Do NOT drill into the dimples on the front bumper cover.

NOTE

- Holes "A" are used to install the mounting bracket to the bumper cover.
- Holes "B" are used to install the front license plate to the mounting bracket.

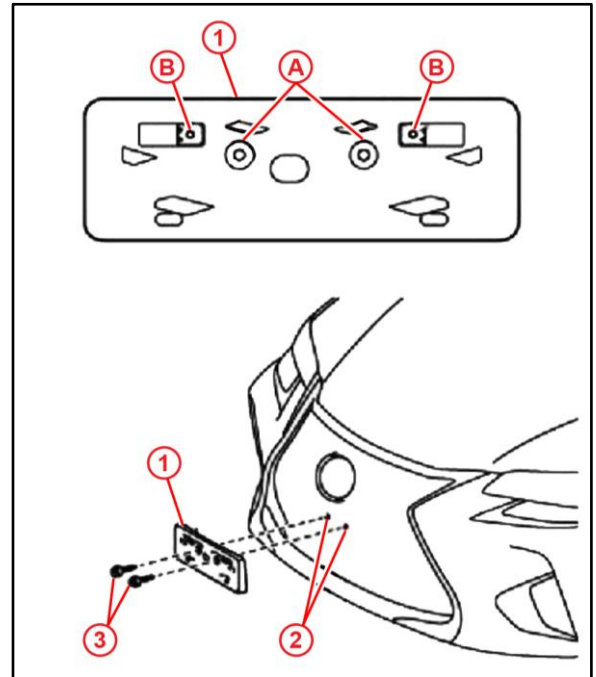
3. Install the mounting bracket to the front bumper cover using 2 self-tapping screws.

NOTICE

Do NOT over-tighten the self-tapping screws.

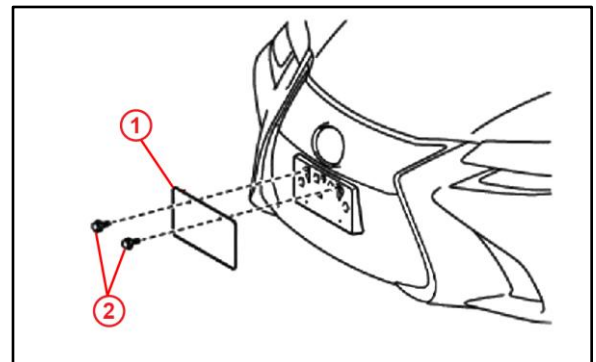
4. Install the front license plate to the mounting bracket using the 2 bolts.

Figure 3.



1	Mounting Bracket
2	Dimples
3	Self-tapping Screws

Figure 4.



1	Front License Plate
2	Bolts

Front License Plate & Mounting Bracket Installation

Installation Procedure for F SPORT

1. Locate the front license plate mounting bracket over the radiator grille.
2. Align holes "A" of the mounting bracket with the dimples on the front bumper cover.

NOTICE

Do NOT drill into the dimples on the front bumper cover.

NOTE

- Holes "A" are used to install the mounting bracket to the bumper cover.
- Holes "B" are used to install the front license plate to the mounting bracket.

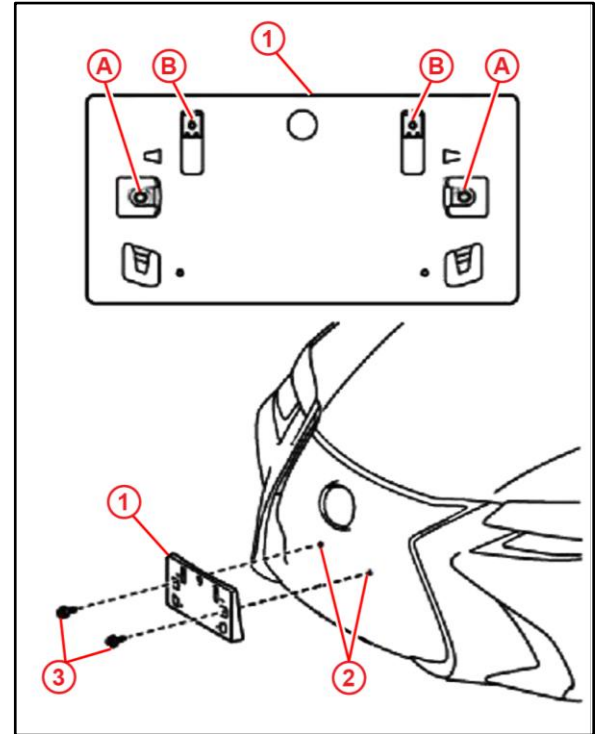
3. Install the mounting bracket to the front bumper cover using 2 self-tapping screws.

NOTICE

Do NOT over-tighten the self-tapping screws.

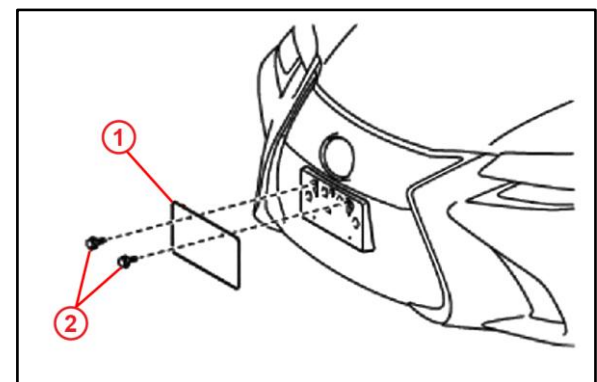
4. Install the front license plate to the mounting bracket using the 2 bolts.

Figure 5.



1	Mounting Bracket
2	Dimples
3	Self-tapping Screws

Figure 6.



1	Front License Plate
2	Bolts

Front License Plate & Mounting Bracket Installation

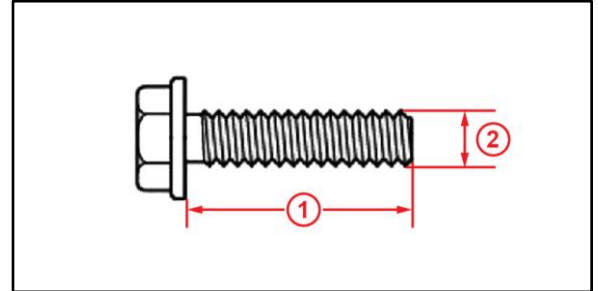
Installation Procedure for F SPORT (Continued)

5. Use bolts of non-corroding type with the following size for installation of the front license plate:

Nominal Length: 15.0 mm (0.59 in.)

Diameter: 6.0 mm (0.24 in.)

Figure 7.



1	Nominal Length
2	Diameter