

2017 PRE-DELIVERY SERVICE CHECK SHEET

Market: USA

October 2016

BEFORE INSPECTION	OK	Adjust Repair
1 Install D/C Cut Fuse* (not required for vehicles with 11" multimedia display) (see page 2).....	<input type="checkbox"/>	
FUNCTIONAL OPERATION		
<i>IMPORTANT: See Pre-Delivery Service bulletin for details on startup methods for the hybrid system.</i>		
1 Check dome, courtesy, map, and sun visor lights*.....	<input type="checkbox"/>	<input type="checkbox"/>
2 Check warning/indicator lights, gauges, and horn.....	<input type="checkbox"/>	<input type="checkbox"/>
3 Check windshield wipers and washers.....	<input type="checkbox"/>	<input type="checkbox"/>
4 Check headlights, instrument lights, turn signals, emergency flashers, and brake lights.....	<input type="checkbox"/>	<input type="checkbox"/>
5 Check inside/outside rear view mirror operation/adjustment.....	<input type="checkbox"/>	<input type="checkbox"/>
6 Check cigarette lighter* and power outlets.....	<input type="checkbox"/>	<input type="checkbox"/>
7 Check audio/navigation*/backup camera* systems and set clock.....	<input type="checkbox"/>	<input type="checkbox"/>
8 Check multi-information display and trip information on center display*.....	<input type="checkbox"/>	
9 Check sliding roof*.....	<input type="checkbox"/>	<input type="checkbox"/>
WALKAROUND INSPECTION		
<i>Starting at the left front door, check window and door lock operation. Continue around the vehicle in a counterclockwise direction checking each door and window operation, child door locks, seat belts, interior condition, all lights, and luggage compartment contents. Finish by checking headlight aim and continue into UNDER HOOD checks.</i>		
1 Check Smart Key System.....	<input type="checkbox"/>	<input type="checkbox"/>
2 Check window operation.....	<input type="checkbox"/>	<input type="checkbox"/>
3 Check that engine starts with all keys.....	<input type="checkbox"/>	<input type="checkbox"/>
4 Check that child safety door locks are in normal (unlocked) position*.....	<input type="checkbox"/>	<input type="checkbox"/>
5 Check seats and seat belt operation.....	<input type="checkbox"/>	<input type="checkbox"/>
6 Check rear defogger/rear view mirror defogger*.....	<input type="checkbox"/>	<input type="checkbox"/>
7 Check side marker, tail, backup, and license plate lights.....	<input type="checkbox"/>	<input type="checkbox"/>
8 Check luggage compartment light* and trim appearance.....	<input type="checkbox"/>	<input type="checkbox"/>
9 Check emergency tire puncture repair kit, jack, and tool installation.....	<input type="checkbox"/>	<input type="checkbox"/>
10 Check headlight aim.....	<input type="checkbox"/>	<input type="checkbox"/>
UNDER HOOD		
1 Check engine oil level.....	<input type="checkbox"/>	<input type="checkbox"/>
2 Check brake fluid level.....	<input type="checkbox"/>	<input type="checkbox"/>
3 Check engine coolant level.....	<input type="checkbox"/>	<input type="checkbox"/>
4 Check inverter coolant level.....	<input type="checkbox"/>	<input type="checkbox"/>
5 Check windshield washer fluid level.....	<input type="checkbox"/>	<input type="checkbox"/>
6 Inspect for fuel, oil, coolant, and other fluid leaks.....	<input type="checkbox"/>	<input type="checkbox"/>
7 Check battery State-Of-Charge using Digital Battery System Analyzer (SOC Reading: _____%).....	<input type="checkbox"/>	<input type="checkbox"/>
BATTERY MAINTENANCE		
1 Perform HV battery check and maintenance.....	<input type="checkbox"/>	<input type="checkbox"/>
* Inspect or install when equipped/required.		
Notes:		

UNDER VEHICLE (ON HOIST)	OK	Adjust Repair
1 Remove disc brake anti-rust covers/anti-corrosion wheel film* (remove just prior to customer delivery).....	<input type="checkbox"/>	
2 Inspect tires for defects/damage.....	<input type="checkbox"/>	<input type="checkbox"/>
3 Activate and Initialize Tire Pressure Warning System (TPWS) (see page 2).....	<input type="checkbox"/>	<input type="checkbox"/>
4 Install wheel caps*.....	<input type="checkbox"/>	
5 Inspect for fuel, oil, coolant, and other fluid leaks.....	<input type="checkbox"/>	<input type="checkbox"/>
6 Inspect under the vehicle for damage, rust, etc.....	<input type="checkbox"/>	<input type="checkbox"/>
7 Visually check bolts and nuts on chassis and powertrain for looseness.....	<input type="checkbox"/>	<input type="checkbox"/>
8 Install rubber body plugs (stored in glove box or center console)*.....	<input type="checkbox"/>	
9 Check hybrid transaxle fluid level.....	<input type="checkbox"/>	<input type="checkbox"/>
ROAD TEST		
<i>A complete road test helps assure customer satisfaction. Drive vehicle over a variety of road surfaces and driving conditions. Check for unusual noise and driving performance.</i>		
Enter Odometer Readings		
Reading Before Test: _____ Reading After Test: _____		
1 Check cold engine operation.....	<input type="checkbox"/>	<input type="checkbox"/>
2 Check engine operation during warm-up.....	<input type="checkbox"/>	<input type="checkbox"/>
3 Check engine operation at normal operating temperature.....	<input type="checkbox"/>	<input type="checkbox"/>
4 Calibrate Intelligent Clearance Sonar System* (see page 2).....	<input type="checkbox"/>	<input type="checkbox"/>
5 Check hybrid transaxle operation.....	<input type="checkbox"/>	<input type="checkbox"/>
6 Check brake and parking brake operation.....	<input type="checkbox"/>	<input type="checkbox"/>
7 Check steering operation and off-center/vehicle pull/flutter..	<input type="checkbox"/>	<input type="checkbox"/>
8 Inspect for abnormal noise and vibration.....	<input type="checkbox"/>	<input type="checkbox"/>
9 Inspect for squeaks and rattles.....	<input type="checkbox"/>	<input type="checkbox"/>
10 Check front and rear* heater and A/C operation.....	<input type="checkbox"/>	<input type="checkbox"/>
11 Check cruise control operation*.....	<input type="checkbox"/>	<input type="checkbox"/>
12 Check front seat heater/ventilation operation*.....	<input type="checkbox"/>	<input type="checkbox"/>
FINAL INSPECTION AND CLEANING		
1 Remove interior protective covers, unnecessary labels, tags, etc. (remove protective covers just before delivery to customer).....	<input type="checkbox"/>	<input type="checkbox"/>
2 Visually inspect all interior parts for installation, damage, fit, dirt, etc.....	<input type="checkbox"/>	<input type="checkbox"/>
3 Verify floor mat application and install using retaining clips*.....	<input type="checkbox"/>	<input type="checkbox"/>
4 Verify green light is illuminated on SOS (Safety Connect) button*.....	<input type="checkbox"/>	<input type="checkbox"/>
5 Remove Rappgard™ and clear protective bumper film*.....	<input type="checkbox"/>	<input type="checkbox"/>
6 Wash and clean vehicle.....	<input type="checkbox"/>	<input type="checkbox"/>
7 Inspect paint finish for scratches, chips, rust, dents, damage, etc.....	<input type="checkbox"/>	<input type="checkbox"/>
8 Inspect exterior body parts for proper installation, damage, rust, etc.....	<input type="checkbox"/>	<input type="checkbox"/>
9 Place oil change sticker on inside of windshield, top left corner.....	<input type="checkbox"/>	<input type="checkbox"/>
10 Install front license plate and mounting bracket* (see page 2).....	<input type="checkbox"/>	<input type="checkbox"/>
11 Place Owner's Manual portfolio* in glove box.....	<input type="checkbox"/>	<input type="checkbox"/>
12 Perform Techstream Health Check.....	<input type="checkbox"/>	<input type="checkbox"/>

Completion and retention of this form is required to comply with Toyota's Warranty Policy.

 TECHNICIAN'S SIGNATURE

 SERVICE MANAGER'S SIGNATURE

 NAME (PLEASE PRINT)

 NAME (PLEASE PRINT)

We hereby certify that all items on this form have been checked and corrected for proper operation as required.

Date

Dealer Name

Dealer Code

Vehicle Identification Number (Sticker)

D/C CUT FUSE INSTALLATION

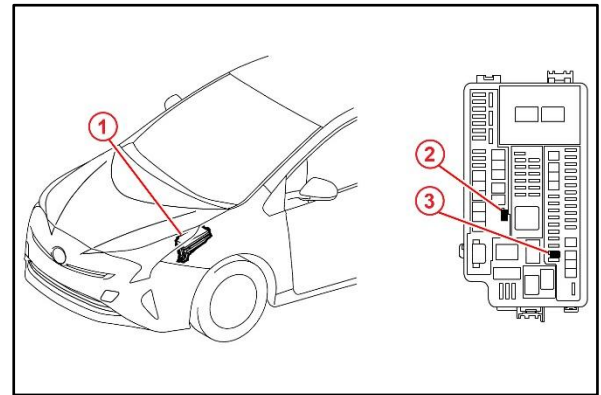
To minimize battery discharge the D/C Cut Fuse has been removed and is stored in the engine compartment Relay Block. Install the D/C Cut Fuse and confirm all related DTCs are cleared.

DTC Clearing Procedure

1. Connect Techstream to DLC3.
2. Cycle the ignition switch to the "IG-ON" position.
3. Using Techstream, check any other codes being output.
4. Erase DTCs (B1650, B1794, U0155, U0142, and U0100) and Freeze Frame Data.

NOTE

If any DTCs besides B1650, B1794, U0155, U0142, and U0100 remain, repair the applicable system according to the Repair Manual.



1 Relay Block

2 Remove D/C Cut Fuse (25A)

3 Install D/C Cut Fuse (25A)

TIRE PRESSURE WARNING SYSTEM (TPWS) INITIALIZATION

Refer to the Repair Manual for [Initialization Procedure](#).

NOTE

To adjust the tire pressure correctly when the outside temperature is significantly colder than shop temperature, perform a Health Check using Techstream and select the "Compensation Tire Pressure" checkbox. Compensation pressures will be displayed on the Health Check results screen. Adjust the tire pressure when the tires are cold.

INTELLIGENT CLEARANCE SONAR SYSTEM CALIBRATION*

As the D/C Cut Fuse is removed, the steering angle sensor power source is cut off. When the D/C Cut Fuse is reinstalled, the steering angle sensor center position may NOT be stored correctly. Therefore, it is necessary to calibrate the intelligent clearance sonar system after installing the D/C Cut Fuse.

Calibration Procedure

1. Start the hybrid system.
2. Drive the vehicle straight ahead at 35 km/h (22 mph) or more for 5 seconds or more.

NOTE

When the ICS OFF indicator light changes from blinking to off, calibration of the intelligent clearance sonar system is complete.

FRONT LICENSE PLATE & MOUNTING BRACKET INSTALLATION*

The front license plate mounting bracket and 2 self-tapping screws are loaded in the vehicle at assembly plant.

1. Align the holes "A" of the front license plate mounting bracket with the dimples on the front bumper cover, mark the location of the holes "B" on the front bumper cover.

HINT

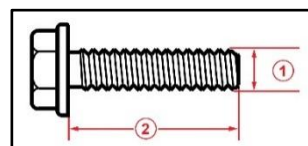
- Holes "A" are used for installation of the mounting bracket to the bumper cover.
- Holes "B" are used for installation of the front license plate to the mounting bracket.

2. Drill 2 relief holes with a diameter of 11 mm (0.43 in.) at the marks on the front bumper cover to prevent the license plate retaining bolt end from contacting the cover.

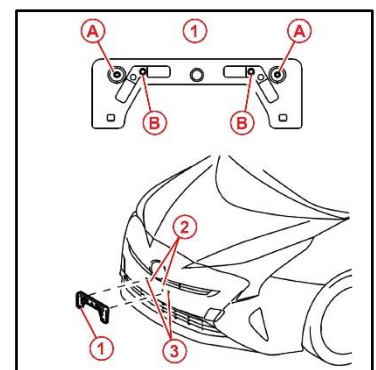
NOTICE

- Do NOT pre-drill holes into the bumper.
- Do NOT overtighten the self-tapping screws.

3. Install the mounting bracket to the front bumper cover using 2 self-tapping screws.
4. Install the front license plate to the mounting bracket at holes "B" using 2 bolts.



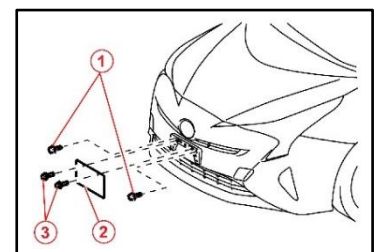
1 Diameter 2 Length



1 Mounting Bracket

2 Mark and Drill Holes

3 Dimples



1 Self-tapping Screws

2 Front License Plate

3 Bolts

Length: 15.0 mm (0.59 in.)

Diameter: 6.0 mm (0.24 in.)

Pitch: 1.0 mm (0.04 in.)