

2017 PRE-DELIVERY SERVICE CHECK SHEET

Market: USA

October 2016

BEFORE INSPECTION

 1 Install short pin (see page 2)

FUNCTIONAL OPERATION

Apply parking brake and cycle ignition "IG-ON"; place gear selector in reverse; turn on lights and rear defogger. Unlock doors; release fuel door, release rear hatch.

- 1 Check dome, courtesy, map, and sun visor lights*
- 2 Check warning/indicator lights, gauges, and horn
- 3 Check windshield wipers and washers
- 4 Check headlights, instrument lights, turn signals, emergency flashers, and brake lights
- 5 Check inside/outside rear view mirror operation/adjustment
- 6 Check cigarette lighter* and power outlets
- 7 Check audio/navigation*/backup camera* systems and set clock
- 8 Install shift-lock override button cover
- 9 Check sliding roof*
- 10 Check Rear Seat Entertainment system operation*
- 11 Check Parking Assist system*

WALKAROUND INSPECTION

Starting at the left front door, check window and door lock operation. Continue around the vehicle in a counterclockwise direction checking each door and window operation, child door locks, seat belts, interior condition, all lights, and luggage compartment contents. Finish by checking headlight aim and continue into UNDER HOOD checks.

- 1 Check Smart Key System*
- 2 Check door and door lock operation, including each wireless remote control/theft deterrent system*
- 3 Check window operation
- 4 Check that engine starts with all keys
- 5 Check that child safety door locks are in normal (unlocked) position
- 6 Check seats and seat belt operation
- 7 Check rear defogger*/rear view mirror defogger*
- 8 Check side marker, tail, backup, and license plate lights
- 9 Check luggage compartment light* and trim appearance
- 10 Adjust spare tire pressure, inspect for damage, and check jack and tool installation
- 11 Check headlight aim

UNDER HOOD

- 1 Check engine oil level
- 2 Check brake and power steering fluid levels
- 3 Check engine coolant level
- 4 Check windshield washer fluid level
- 5 Check battery State-Of-Charge using Digital Battery System Analyzer (SOC Reading: _____%)
- 6 Inspect for fuel, oil, coolant, and other fluid leaks

Notes:

UNDER VEHICLE (ON HOIST)

- 1 Remove disc brake anti-rust covers/anti-corrosion wheel film (remove just prior to customer delivery)
- 2 Inspect tires for defects/damage
- 3 Initialize Tire Pressure Warning System (TPWS) (see page 2)
- 4 Install wheel covers/caps/spare tire wheel covers*
- 5 Inspect for fuel, oil, coolant, and other fluid leaks
- 6 Inspect under the vehicle for damage, rust, etc.
- 7 Visually check bolts and nuts on chassis and powertrain for looseness
- 8 Install rubber body plugs (stored in glove box or center console)*

ROAD TEST

A complete road test helps assure customer satisfaction. Drive vehicle over a variety of road surfaces and driving conditions. Check for unusual noise and driving performance.

Enter Odometer Readings

Reading Before Test: _____ Reading After Test: _____

- 1 Check cold engine operation
- 2 Check engine operation during warm-up
- 3 Check engine operation at normal operating temperature
- 4 Check automatic transmission operation
- 5 Check brake and parking brake operation
- 6 Check steering operation and off-center/vehicle pull/flutter
- 7 Inspect for abnormal noise and vibration
- 8 Inspect for squeaks and rattles
- 9 Check front and rear* heater and A/C operation
- 10 Check cruise control operation
- 11 Check Blind Spot Monitor system*
- 12 Check front seat heater/ventilation operation*
- 13 Set/calibrate compass* (see page 2)
- 14 Check rear height control air suspension*

FINAL INSPECTION AND CLEANING

- 1 Remove interior protective covers, unnecessary labels, tags, etc. (Remove just before delivery to customer)
- 2 Visually inspect all interior parts for installation, damage, fit, dirt, etc.
- 3 Verify floor mat application and install using retaining clips*
- 4 Remove Rapgard™ and clear protective bumper film*
- 5 Wash and clean vehicle
- 6 Inspect paint finish for scratches, chips, rust, dents, damage, etc.
- 7 Inspect exterior body parts for proper installation, damage, rust, etc.
- 8 Place oil change sticker on inside of windshield, top left corner
- 9 Place Owner's Manual portfolio* in glove box
- 10 Perform Techstream Health Check
- 11 Install front license plate and mounting bracket* (see page 2)

* Inspect or install when equipped/required.

Completion and retention of this form is required to comply with Toyota's Warranty Policy.

_____ TECHNICIAN'S SIGNATURE		_____ SERVICE MANAGER'S SIGNATURE		We hereby certify that all items on this form have been checked and corrected for proper operation as required.
_____ NAME (PLEASE PRINT)		_____ NAME (PLEASE PRINT)		
Date	Dealer Name	Dealer Code	Vehicle Identification Number (Sticker)	

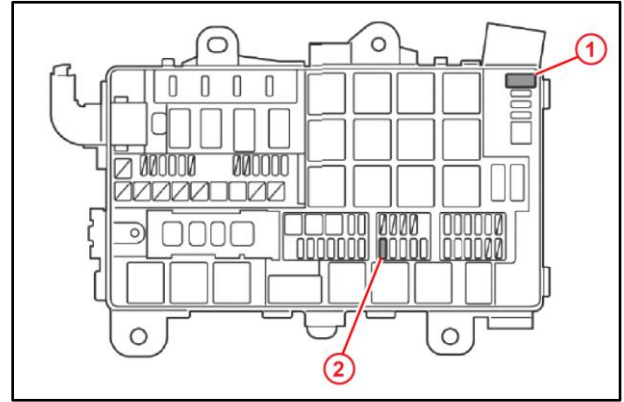
SHORT PIN INSTALLATION

To minimize battery discharge the short pin has been removed and is stored in the engine compartment Relay Block.

Install the short pin.

NOTE

If the vehicle is stored in the dealership for a long period of time after PDS, disconnect the negative (-) battery terminal to prevent battery discharge. Refer to Service Bulletin No. [T-SB-0039-16](#), "Battery Maintenance During PDS," for battery maintenance information.



1 Storage Location 2 Installation Location

TIRE PRESSURE WARNING SYSTEM (TPWS) INITIALIZATION

Refer to the Repair Manual for the [Initialization procedure](#). Please note the spare tire does NOT have a TPWS sensor.

NOTE

To adjust tire pressure correctly when outside temperature is significantly colder or warmer than shop temperature, perform a Health Check using Techstream and select the "Compensation Tire Pressure" checkbox. The compensation pressures will be displayed on the Health Check results screen. Adjust the tire pressure when the tires are cold.

COMPASS CALIBRATION*

Refer to the Repair Manual for the [Calibration procedure](#) for vehicles equipped with a compass in the rear view mirror.

NOTE

- Do NOT perform calibration of the compass in a place where the Earth's magnetic field is subject to interference (underground parking, under a steel tower, between buildings, roof parking, near a railroad crossing, near a large vehicle, etc.).
- During calibration, do NOT operate electric systems (moon roof, power windows, etc.) as they may interfere with the calibration.

FRONT LICENSE PLATE AND MOUNTING BRACKET INSTALLATION*

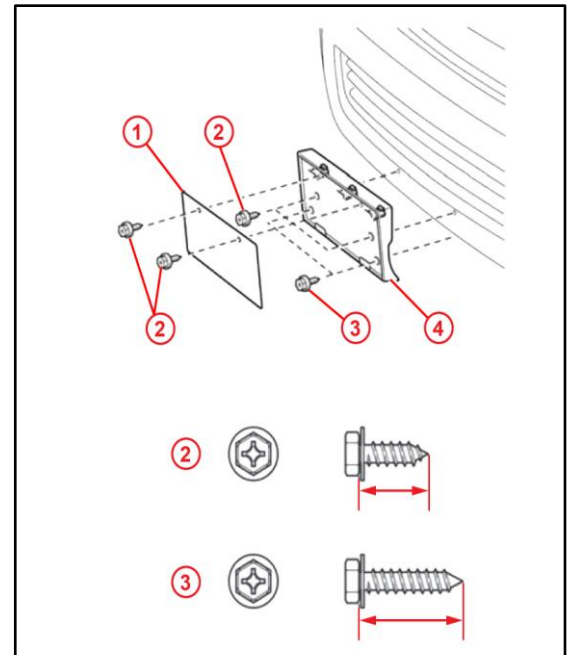
The bracket and 6 mounting screws are placed in a vinyl bag located on the right front passenger's side floor.

Installation Procedure

1. Attach the license plate bracket by snapping the clips on the top of the bracket onto the lower lip of the air intake opening on the bumper.
2. Align the 4 mounting holes in the bracket with the 4 dimples in the bumper.
3. Screw two 20 mm (0.787 in.) self-tapping mounting screws (A) into the top holes on the bumper and then screw the two 30 mm (1.81 in.) self-tapping screws (B) into the bottom holes.
4. Align the mounting holes in the license plate with the corresponding holes in the bracket. Using the 2 remaining 20 mm (0.787 in.) self-tapping screws (A), mount the license plate directly to the bracket assembly.

NOTICE

- Do NOT pre-drill holes into the bumper.
- Do NOT overtighten the self-tapping screws.



1 License Plate 3 Screw B
2 Screw A 4 Front License Plate Mounting Bracket