



Technical Bulletin

Model(s)	Year	Eng. Code	Trans. Code	VIN Range From	VIN Range To
Passat Wagon	2007-2010	All	All	All	All

Condition

55 16 06 June 8, 2016 2038997 Supersedes Technical Bulletin V551408 dated December 16, 2014 to update Claim Processing comment.

Corrosion on Rear Lid around the License Plate Light Area

Corrosion on the rear lid around the license plate light (Figure 1, red outline).



Figure 1 – Corrosion on and around the license plate light (Screw fastened light)

Edge corrosion on the rear lid in the contact area of the license plate light (Figure 2, red outline).

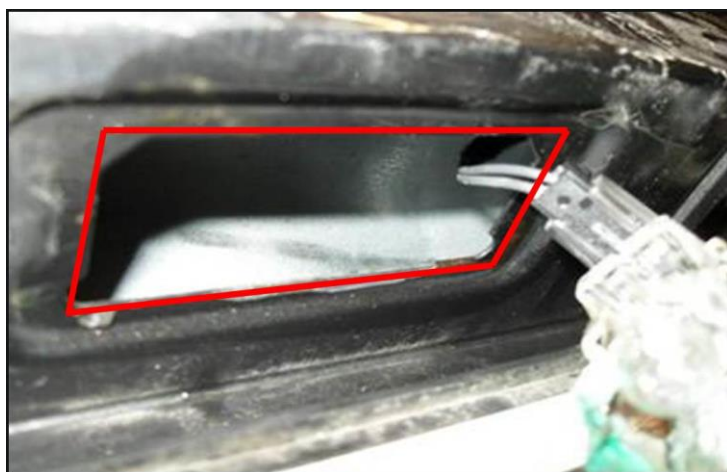


Figure 2 – Corrosion on opening for license plate light (Clipped-on light)



Technical Bulletin

Note:

To determine if this procedure is covered under Warranty, always refer to the *Warranty Policies and Procedures Manual*.

Documentation required per *Warranty Policies and Procedures Manual*.

For vehicles outside of the Limited Warranty Against Corrosion Perforation this Technical Bulletin is for information only.

Technical Background

Water ingress through the seal of the license plate light.

Tip:

In some cases the seal for the rear wiper shaft can leak (Figure 3, red arrows) and water can get into the rear lid.



Figure 3 – Seal for the rear wiper shaft leaks

Production Solution

Corrections in the production process after discovering deviations.



Technical Bulletin

Service

Procedure:

1a. Replace the rear lid.

Or

1b. Repair the rear lid. *Only perform this operation if the total repair cost is 80% or less of the total replacement cost.*

Steps 2 and 3 should be performed regardless of repair or replacement.

2a. Replace screw fastened license plate light (Figure 1)

Or

2b. Replace clipped-on license plate light (Figure 2)

3. Replace seal for rear wiper shaft.

1a. Replace the rear lid:

If the license plate light area in the rear lid exhibits through-corrosion (perforation), DO NOT repair, install a new rear lid.

- Remove all necessary parts / trim pieces of the original rear lid. See Repair Group 70 and Repair Group 55 in Elsa.
- Remove the rear window from the original rear lid. See Repair Group 64 in Elsa.
- Paint the new rear lid according to Volkswagen guidelines.
- Remove the original rear lid. See Repair Group 55 in Elsa.
- Install the new rear lid. See Repair Group 55 in Elsa.
- Install the window in the new rear lid. See Repair Group 64 in Elsa.
- Proceed to step 2a or 2b according to vehicle equipment.

1b. Repair the rear lid:

Before the repair, check the license plate light / handle assembly area in the rear lid. If the license plate light / handle assembly area exhibits through-corrosion (perforation), DO NOT repair, install a new rear lid.

- Remove all necessary parts / trim parts from the rear lid. See Repair Group 70 and Repair Group 55 in Elsa.
- Remove the rear lid. See Repair Group 55 in Elsa.

 **Tip:**

The rear window does not have to be removed from the rear lid for this procedure.



Technical Bulletin

- Take off all trim pieces as well as the license plate light / handle assembly (Figure 4, number 1) necessary to remove the corrosion from the rear lid. See Repair Group 70 and Repair Group 55 in Elsa.

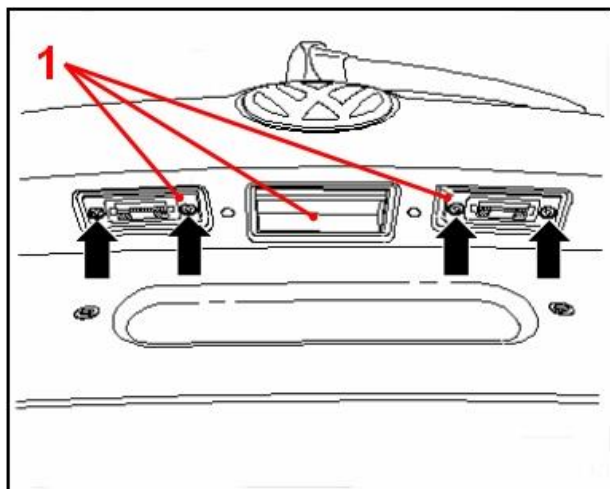


Figure 4: License plate light / handle assembly

- Remove the corrosion with a pneumatic brush grinder. Make sure that the edges of the rear lid do not get damaged.

⚠ Note:

If through-corrosion (perforation) is not present, rear lid replacement will only be accepted if it qualifies per the Reimbursement Policy section of the *Warranty Policies and Procedure Manual*. This section provides important guidelines when considering component repair vs. replacement options (the “80% rule”).

- Apply a VOC compliant epoxy primer as an anti-corrosion treatment and primer (locally sourced).
- Re-paint the rear lid according to the Volkswagen guidelines.
- Install the rear lid. See Repair Group 55 in Elsa.
- Proceed to step 2a or 2b.



Technical Bulletin

2a. Replace screw fastened license plate light:

Replace the license plate light / release handle assembly and seal off the contact area with butyl sealing cord.

 **Tip:**

The license plate light / release handle assembly (Figure 5, number 1) must always be completely replaced.

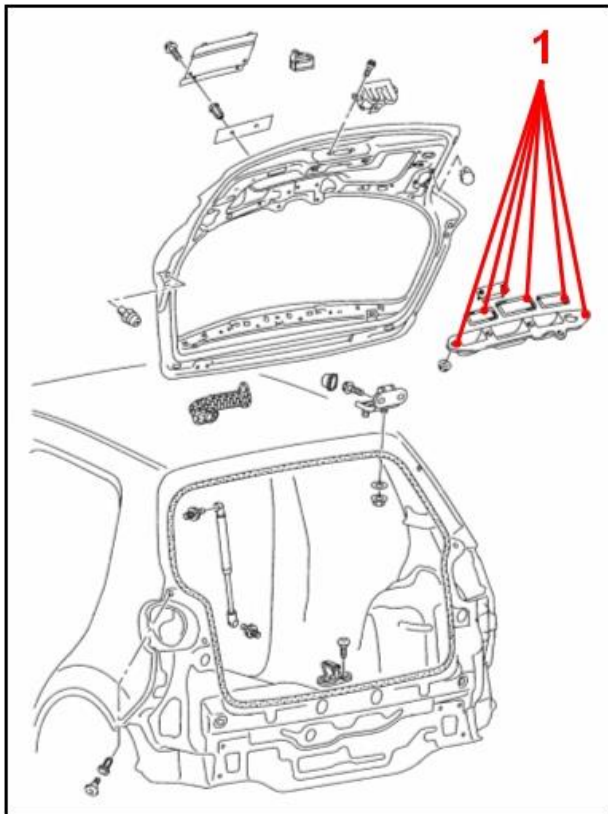


Figure 5: License plate light / release handle assembly



Technical Bulletin

- Install the new license plate light / release handle assembly (Figure 6, number 2). See Repair Group 55 in Elsa.
- Center the handle to ensure a symmetrical fit.

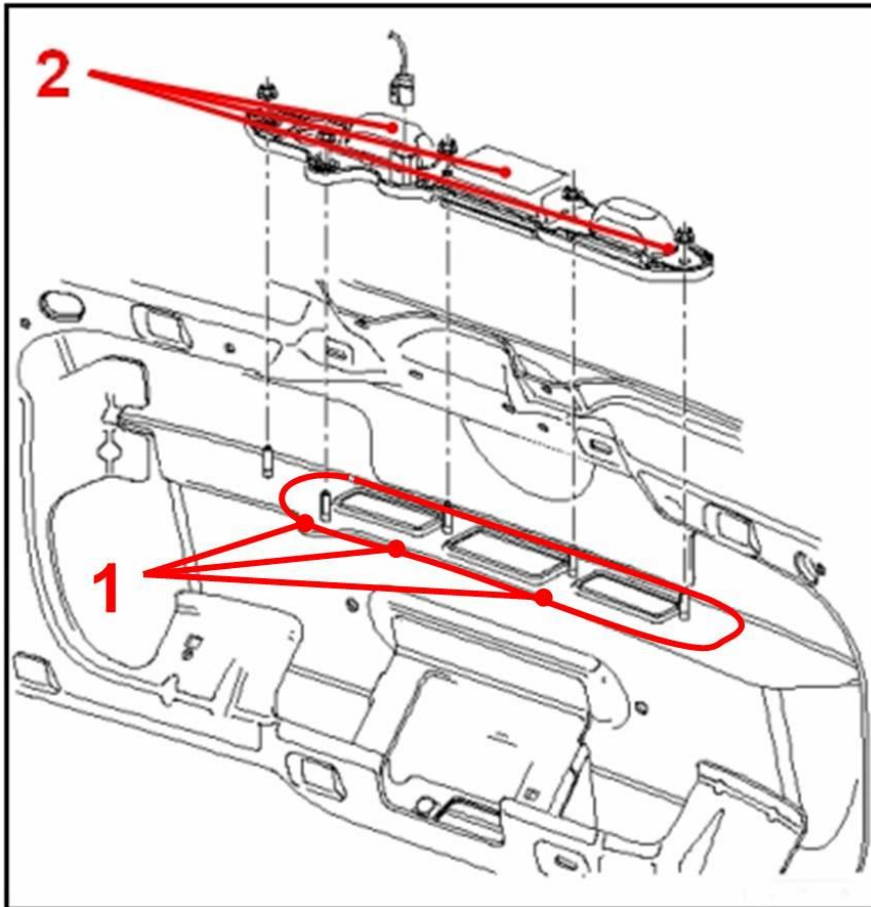


Figure 6: Screw fastened license plate light



Technical Bulletin

- Before installing the license plate light glass, seal off the contact surface with butyl sealing cord (part number AKL 450 005 05, Figure 7).

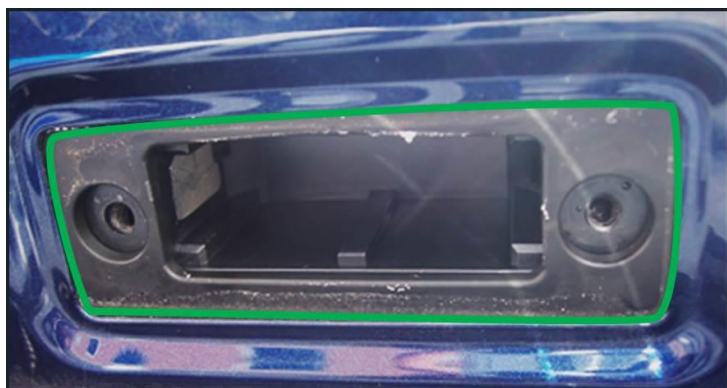


Figure 7: License plate light sealed off with butyl sealing cord

⚠ Note:

DO NOT over torque the mounting bolts of the license plate lights. Excessive torque may cause the glass to break.

- Install the new license plate lights. See Repair Group 94 in Elsa.
- Remove any excess butyl sealing cord.
- Proceed to step 3.



Technical Bulletin

2b. Replace clipped-on license plate light:

Replace the license plate light / release handle assembly and seal off the contact area with butyl sealing cord.

- Install the new release handle (Figure 8, number 1), handle cover (Figure 8, number 3), and assembly cover (Figure 8, number 6). See Repair Group 55 in Elsa.

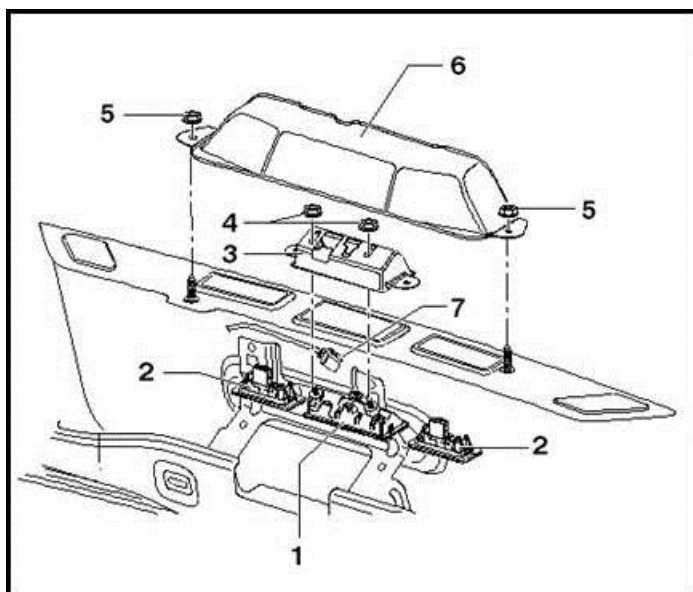


Figure 8: Clipped-on license plate light

- Before installing the license plate lights, seal off the contact surface of the license plate light with butyl sealing cord (part number AKL 450 005 05, Figure 9, green mark).

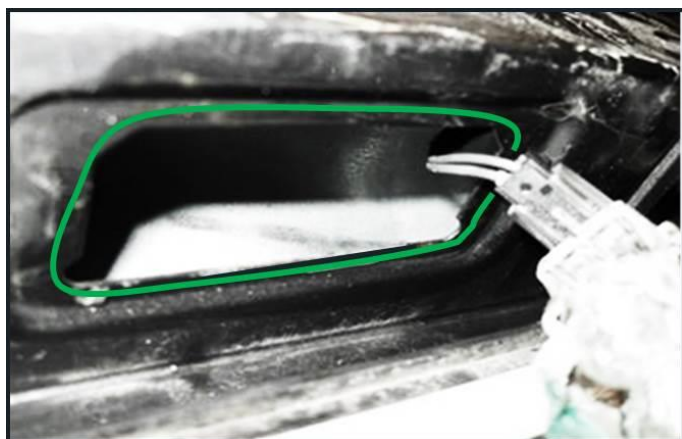


Figure 9: License plate light sealed off with butyl sealing cord

- Remove any excess butyl sealing cord.
- Install the new license plate lights. See Repair Group 94 in Elsa.



Technical Bulletin

- Center the license plate lights in the openings.
- Remove any excess butyl sealing cord.
- Proceed to step 3.

3. Replace seal for rear wiper shaft

- Replace the rear wiper shaft seal (Figure 10, red arrows) with part number 6Q6 955 758 A. See Repair Group 92 in Elsa.



Figure 10: Seal for rear wiper shaft

- Install all remaining parts / trim pieces previously removed. See Repair Groups 92, 70 and 55 in Elsa.
- Adjust the rear lid fit according to the repair manual. See Repair Group 55 in Elsa.



Technical Bulletin

Warranty

Note:

- Dealers may complete the repair as described without prior authorization (through a WISE Warranty Repair Acceptance request).
- Documentation required: Clear pictures, completed estimate and body shop invoice must be saved and kept on file at the Dealership for audit purposes.
- Labor time units (TU), Material units (MU), and Material unit rate are correct at the time of publication. The time units and/or material units may differ if the repair catalogue is updated. The information in the repair catalogue applies, except for the open time items (labor operations ending in 99) which are calculated at actual time multiplied by the body shop labor rate. The material allowance (Paint material price per unit) is subject to change. Refer to **WISE > Resource Center > Forms > Paint/Corrosion for the most current forms.**
- This section is applicable for vehicles within the terms of Volkswagen's Limited Warranty Against Corrosion Perforation. For vehicles outside the terms of the Limited Warranty Against Corrosion Perforation this section is for information only.
- This bulletin may be provided to outside shops to ensure the proper repair is completed.

Note:

Claim Processing

Utilize the attached form examples and pre-populated forms on WISE to assist with calculating the reimbursement amounts. **This will expedite the claim review process and reduce the time to pay the claim.**

Note that miscalculations are subject to claim adjustment. You can email completed excel forms (in the excel format) to paintcamp@vw.com. The Paint and Corrosion Team will review your completed form(s) and adjust for overlap on behalf of the dealer.

For the complete set of pre-populated Paint/Corrosion Claim Form templates associated with this Technical Bulletin, refer to **WISE > Resource Center > Forms > Paint/Corrosion.**

To determine if this procedure is covered under Warranty, always refer to the <i>Warranty Policies and Procedures Manual</i> ¹⁾					
Model(s)	Year(s)	Eng. Code(s)	Trans. Code(s)	VIN Range From	VIN Range To
Passat Wagon	2007-2010	All	All	All	All
SAGA Coding					



Technical Bulletin

Claim Type:	160 ¹⁾		
Service Number:	Damage Code	HST	Damage Location (Depends on Service No.)
5559	0003	--	030
Parts Manufacturer	Passat Wagon (3C5)	030 ²⁾	
Repair			
Please use the following part number in "Outside Materials" ⁴⁾			
LACKMATF: Paint and Materials		MU @ \$12 per unit	
Epoxy Primer (Locally Sourced)		Claim Dollar Amount (MAX: \$40)	
Please use the following Labor Operation in "Outside Labor" ⁴⁾			
Select the appropriate Labor Operation below: - L0010000: External Painting-straight color - L0020000: External Painting-metallic/2-layer - L0030000: External Painting-pearl color		Claim Dollar Amount	
Use this for all body repair in this bulletin: - A0041000: Body Shop repair no paint		Claim Dollar Amount	
Replace			
Please use the following part number in "Outside Materials" ⁴⁾			
LACKMATF: Paint and Materials		MU @ \$12 per unit	
Please use the following Labor Operation in "Outside Labor" ⁴⁾			
Select the appropriate Labor Operation below: - L0010000: External Painting-straight color - L0020000: External Painting-metallic/2-layer - L0030000: External Painting-pearl color		Claim Dollar Amount	
Use this for all body repair in this bulletin: - A0041000: Body Shop repair no paint		Claim Dollar Amount	



Technical Bulletin

Causal Part:		L00#0000
Diagnostic Time ⁴⁾		
GFF Time expenditure	01500000 = 00 TU max.	NO
Road Test	01210002 = 00 TU 01210004 = 00 TU	NO
Technical Diagnosis	01320000 = 00 TU	NO
Claim Comment: Input "As per Technical Bulletin 2038997" in comment section of Warranty Claim.		
<p>¹⁾ For Vehicles outside the Limited Warranty Against Corrosion Perforation this bulletin is information only</p> <p>²⁾ Corrosion claim vendor code will be the damage location.</p> <p>³⁾ Labor Time Units (TUs) are subject to change with ELSA updates.</p> <p>⁴⁾ Documentation required per <i>Warranty Policies and Procedures Manual</i>.</p> <p>⁵⁾ See attachment "srt_reference_table.pdf" for labor time reference.</p>		



Technical Bulletin

Required Parts and Tools

Lift Gate Replacement (Original lift gate w/screw fastened license plate lights)		
VIN Range 3C-7E000001 to 3C-8E115800		
Part No:	Part Description	Quantity
3C9 827 025 N	Lift Gate	1
3C9 971 147 P	Wiring Harness Adaptor	1
3C9 827 229 C	Cover	1
5N0 827 566 T	Release Handle Microswitch	1
3C9 827 129 A	Cover	1
8T0 943 021	License Plate Light	2
N 015 082 10	Hex nut	4
AKL 450 005 05	Butyl Sealing Cord	0.1
6Q6 955 758 A	Seal	1
Lift Gate Repair (Lift gate w/screw fastened license plate lights)		
VIN Range 3C-7E000001 to 3C-8E115800		
1T0 827 574 L	Release Handle Microswitch	1
N 015 082 10	Hex nut	5
AKL 450 005 05	Butyl Sealing Cord	0.1
6Q6 955 758 A	Seal	1
Lift Gate Replacement (Original lift gate w/clipped-on license plate lights)		
From VIN 3C-8E115800 on		
3C9 827 025 N	Lift Gate	1
3C9 827 229 C	Cover	1



Technical Bulletin

5N0 827 566 T	Release Handle Microswitch	1
3C9 827 129 A	Cover	1
8T0 943 021	License Plate Light	2
N 015 082 10	Hex nut	4
AKL 450 005 05	Butyl Sealing Cord	0.1
6Q6 955 758 A	Seal	1
Lift Gate Repair (Lift gate w/clipped-on license plate lights)		
From VIN 3C-8E115800 on		
3C9 827 229 C	Cover	1
5N0 827 566 T	Release Handle Microswitch	1
3C9 827 129 A	Cover	1
8T0 943 021	License Plate Light	2
N 015 082 10	Hex nut	4
AKL 450 005 05	Butyl Sealing Cord	0.1
6Q6 955 758 A	Seal	1

For Special Tools see Repair Manual.

Additional Information

All part and service references provided in this Technical Bulletin are subject to change and/or removal. Always check with your Parts Dept. and Repair Manuals for the latest information.

Document Control Revision Table			
Instance Number	Published Date	Version Number	Reason For Update
2038997/2	6/8/16	V551606	Update Claim Processing statement.
2038997/1	12/16/14	V551404	Original publication.

Paint/Corrosion Claim Form



Dealer No.
Repair Order No.

400000
910000

Example - Repair
If repeat repair, provide explanation in box below:
B6 Passat Wagon

VIN (17-Digits)	WVWVK73CX9E000000		
Color No. (4-digit ElsaPro Paint No.)	LA7W		
Dealer Labor Rate	100.00		
Paint material price per unit	12.00		
Dealer-owned paint shop?	<input checked="" type="radio"/>	Yes	<input checked="" type="radio"/> No
Original paint material?	<input checked="" type="radio"/>	Yes	<input checked="" type="radio"/> No

Service No.	Damage Code	Dmg Loc	Part manufacturer (Vendor Code)	Description of Repair	Paint Labor Operation(s)	Time Units	Mat'l Units
5559	0003	030	030	Paint lower lift gate	55598703	110	7
				Verify ALL Labor Operation Time Units and Material Units			

Note: Authorization and claim reimbursement are contingent on the usage of original parts for the repair

Body Painting Prep Time	51017133	190
-------------------------	----------	-----

The vehicle history must be checked for any previous damage. Digital photographs must be included with the repair order per VWoA instructions. If there is a sublet invoice for painting, the invoice amount must be split between outside (sublet) labor and outside (sublet) material.

Paint Subtotal	300	7
----------------	-----	---

Part Number	Part Description	Part Qty	Part Price per Unit	Total Part Price	Description of Repair	Repair/Replace Labor Operation(s)	Time Units
EPOXY	Epoxy Primer	1	\$ 40.00		Remove and install lift gate	55591900	130
					Remove and install 2 rear lights	94312020	30
					Remove and install rear lock mechanism	55571960	10
					Remove and install rear lettering	66501900	20
					Replace trim strip	66025500	30
					Remove and install rear badge	66511900	20
					Remove and install rear wiper motor	92341950	20
					Replace seal for rear wiper shaft	92345599	10
					Remove corrosion	55596300	60
					Cover rear windshield	64867750	30
					Wax body	51017500	30

Example Part Qty and Part Price per Unit only
All other parts should be claimed separately in the SAGA claim

Full pre-populated forms can be found in the following location:
WISE > Resource Center > Forms > Paint/Corrosion > TB# Form specific to the vehicle and the repair.

Example Time Units

Outside Material	Part Amount Subtotal	\$	40.00	Body Labor Subtotal	390
LACKMATF	Total Paint Material Amount	\$	84.00	Total TU/MU	690
	Total Parts Amount	\$	124.00		7

VW Representative Authorization No. TB 2038997

Authorization Date _____
Authorization valid until: _____

L00#0000	\$	300.00
A0041000	\$	390.00
Parts and Materials:	\$	124.00
Total:	\$	814.00

Warranty

VW Representative Name (printed) _____ VW Representative Signature _____

Paint/Corrosion Claim Form



Dealer No. **400000**
 Repair Order No. **910000**

Example - Replace B6 Passat Wagon

VIN (17-Digits)	WVWXXK73CX9E000000		
Color No. (4-digit ElsaPro Paint No.)	LA7W		
Dealer Labor Rate	100.00		
Paint material price per unit	12.00		
Dealer-owned paint shop?	<input checked="" type="radio"/>	Yes	<input checked="" type="radio"/> No
Original paint material?	<input checked="" type="radio"/>	Yes	<input checked="" type="radio"/> No

If repeat repair, provide explanation in box below:

Service No.	Damage Code	Dmg Loc	Part manufacturer (Vendor Code)	Description of Repair	Paint Labor Operation(s)	Time Units	Mat'l Units
5559	0003	030	030	Paint new lift gate	55596150	130	13
				Verify ALL Labor Operation Time Units and Material Units			

Note: Authorization and claim reimbursement are contingent on the usage of original parts for the repair

Body Painting Prep Time	51017153	160
-------------------------	----------	-----

The vehicle history must be checked for any previous damage. Digital photographs must be included with the repair order per VWoA instructions. If there is a sublet invoice for painting, the invoice amount must be split between outside (sublet) labor and outside (sublet) material.

Paint Subtotal	290	13
----------------	-----	----

Part Number	Part Description	Part Qty	Part Price per Unit	Total Part Price	Description of Repair	Repair/Replace Labor Operation(s)	Time Units
					Remove and install lift gate	55591900	130
					Replace lift gate	55595550	220
					Replace rear lock mechanism	55571960	10
					Replace seal for rear wiper shaft	92345599	10
					Wax body	51017500	30

Full pre-populated forms can be found in the following location:
WISE > Resource Center > Forms > Paint/Corrosion > TB# Form specific to the vehicle and the repair.

Outside Material	Part Amount Subtotal	\$	-
LACKMATF	Total Paint Material Amount	\$	156.00
	Total Parts Amount	\$	156.00

Body Labor Subtotal	400
Total TU/MU	690 13

VW Representative Authorization No. **TB 2038997**

Authorization Date _____
 Authorization valid until: _____

L00#0000	\$ 290.00
A0041000	\$ 400.00
Parts and Materials:	\$ 156.00
Total:	\$ 846.00

Warranty
 VW Representative Name (printed) _____

 VW Representative Signature

SRT Reference Table for TPI# 2038997

Repair (B6 Passat Wagon) – Models(3C5)		
<u>Body Labor</u>		
Labor Operation: Remove and install lift gate	55 59 19 00 = 130 TU	Multiply claim time units x warranty labor rate. Enter in SAGA under Outside Labor Operation: A0041000
Labor Operation: Remove and install 2 rear lights	94 31 20 20 = 30 TU	
Labor Operation: Remove and install rear lock mechanism	55 57 19 60 = 10 TU	
Labor Operation: Remove and install rear lettering	66 50 19 00 = 20 TU	
Labor Operation: Replace trim strip	66 02 55 00 = 30 TU	
Labor Operation: Remove and install rear badge	66 51 19 00 = 20 TU	
Labor Operation: Remove and install rear wiper motor	92 34 19 50 = 20 TU	
Labor Operation: Replace seal for rear wiper shaft	92 34 55 99 = 10 TU	
Labor Operation: Remove corrosion in license plate light contact area	55 59 63 00 = * TU	
Labor Operation: Cover rear windshield	64 86 77 50 = 30 TU	
Labor Operation: Wax body	51 01 75 00 = 30 TU	
<u>Refinish Labor</u>		
Labor Operation: Prepare painting	51 01 71 33 = 190 TU	Multiply claim time units x warranty labor rate. Enter in SAGA under Outside Labor Operation: L00#0000* *Please see warranty table for proper labor operation
Labor Operation: Paint lower lift gate (Removed)	55 59 87 03 = 110 TU	
<u>Outside Materials</u>		
Labor Operation: Paint lift gate	7 MU	Multiply claim material units x \$12.00. Enter in SAGA under Outside Materials: LACKMATF

* Rear lid replacement should be considered if the total repair cost will exceed 80% of the total replacement cost. Refer to the Reimbursement Policy section of the *Warranty Policies and Procedure Manual*. This section provides important guidelines when considering component repair vs. replacement options (the “ 80% rule”).

Replace (B6 Passat Wagon) – Models(3C5)

Body Labor

Labor Operation: Remove and install lift gate	55 59 19 00 = 130 TU	Multiply claim time units x warranty labor rate. Enter in SAGA under Outside Labor Operation: A0041000
Labor Operation: Replace lift gate	55 59 55 50 = 220 TU	
Labor Operation: Replace rear lock mechanism	55 57 19 60 = 10 TU	
Labor Operation: Replace seal for rear wiper shaft	92 34 55 99 = 10 TU	
Labor Operation: Wax body	51 01 75 00 = 30 TU	

Refinish Labor

Labor Operation: Prepare painting	51 01 71 53 = 160 TU	Multiply claim time units x warranty labor rate. Enter in SAGA under Outside Labor Operation: L00#0000* *Please see warranty table for proper labor operation
Labor Operation: Paint new lift gate (Removed)	55 59 61 50 = 130 TU	

Outside Materials

Labor Operation: Paint new lift gate	13 MU	Multiply claim material units x \$12.00. Enter in SAGA under Outside Materials: LACKMATF
--------------------------------------	-------	---