

Date	Expiration	Release	Page
04.2016	04.2018	0	1(4)

## RADIATOR AND A/C DOORS LOWER HINGES REPLACEMENT

Prevost vehicles

### DESCRIPTION


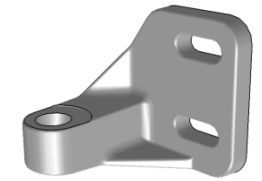
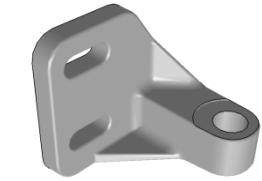

On the vehicles affected by this bulletin, perform the proactive replacement of the lower hinges for both service doors.

### MODEL YEAR(S) AND VEHICLES INVOLVED

<b>NOTICE TO SERVICE CENTERS</b>	
<i>Verify vehicle eligibility by checking warranty bulletin status with <b>SAP</b> or via <b>ONLINE WARRANTY SYSTEM</b> available on Service / Warranty tab of Prevost website.</i>	
Model	VIN
X3-45 coaches Model Year : 2011 - 2014	From 2PCG33497 <b>BC735005</b> up to 2PCG33493 <b>EC735572</b> incl.
<p><small>This bulletin does not necessarily apply to all the above-mentioned vehicles, some vehicles may have been modified before delivery. The owners of the vehicles affected by this bulletin will be advised by a letter indicating the Vehicle Identification Number (VIN) of each vehicle concerned.</small></p>	

### MATERIAL NEEDED

Order kit #**SP16-21** which includes the following parts:

Part No.		Description	Qty
288827		Lower hinge, Radiator door	1
288945		Lower hinge, A/C door	1
284607		Hinge bushing	2

Other parts that may be required:

Part No.	Description	Qty
502686	Hex head cap screw M6X30 (Radiator door lower hinge)	2
502737	Hex head cap screw M6X25 (A/C door lower hinge)	2
502570	Lock washer	4
430406	Flat washer	4

## PROCEDURE



### DANGER

Park vehicle safely, apply parking brake, stop engine. In the battery box, set the battery cut-off switch to the OFF position prior to working on the vehicle.

1. Replace the lower hinge on both rear service doors: radiator and A/C.
2. Support door while removing.
3. Remove existing lower hinge and discard.
4. Keep hardware for re-use.

*If hardware is damaged or excessively corroded, replace according to part list.*



Radiator door



A/C door

## 5. stall new hinges

Radiator door, use:

- 288827 Hinge
- 502686 M6X30 hex cap screw
- 502570 Lock washer
- 430406 Flat washer
- 284607 Hinge bushing



Radiator door

A/C door, use:

- 288945 Hinge
- 502737 M6X25 hex cap screw.
- 502570 Lock washer
- 430406 Flat washer
- 284607 Hinge bushing



A/C door

Date	Expiration	Release	Page
04.2016	04.2018	0	4(4)

## PARTS / WASTE DISPOSAL

Discard waste according to applicable environmental regulations (Municipal/State[Prov.]/ Federal)

## ESTIMATED TIME

The time required to perform this special bulletin is approximately 1 3/4 hour (1.75h)

## OTHER

VBC Bulletin	n/a
Fail Code	18.04
Defect Code	09
System Condition	B
Causal Part	286103

Prevost engages in a continuous program of testing and evaluating to provide the best possible product. Prevost, however, is not committed to, or liable for updating existing products.