



# Service Bulletin

File in Section: -  
 Bulletin No.: 16-NA-327  
 Date: October, 2016

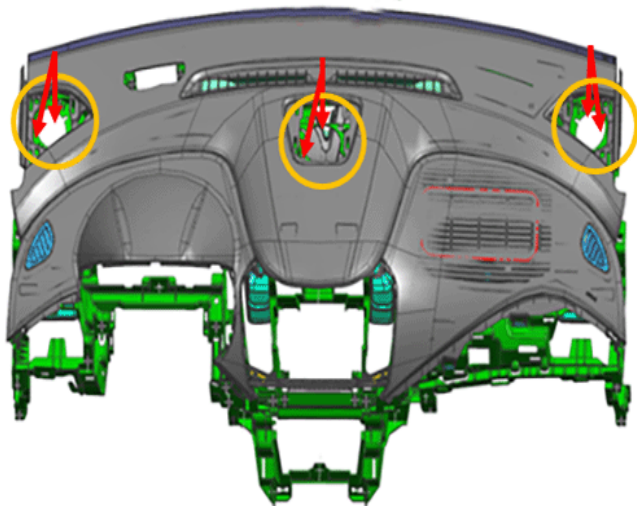
## TECHNICAL

**Subject:** Instrument Panel (IP) Rattle or Buzz Noise

Brand:	Model:	Model Year:		VIN:		Engine:	Transmission:
		from	to	from	to		
Chevrolet	Cruze (VIN B)	2016	2017			All	All

<b>Involved Region or Country</b>	North America, South America, Israel
<b>Additional Options (RPO)</b>	Equipped with Speaker System - Standard Audio (RPO UQF) or Speaker System - 6, Premium (RPO UZ6)
<b>Condition</b>	Some customers may comment on hearing a rattle or buzz noise from the IP during certain driving conditions, such as rough or dirt roads.
<b>Cause</b>	The cause of the condition may be that for particular radio speaker systems, there may be no speaker mounted in the center and/or right/left side positions in the IP. This may allow the push nuts that normally retain the speaker bolts to rattle when there is no speaker present in that location.

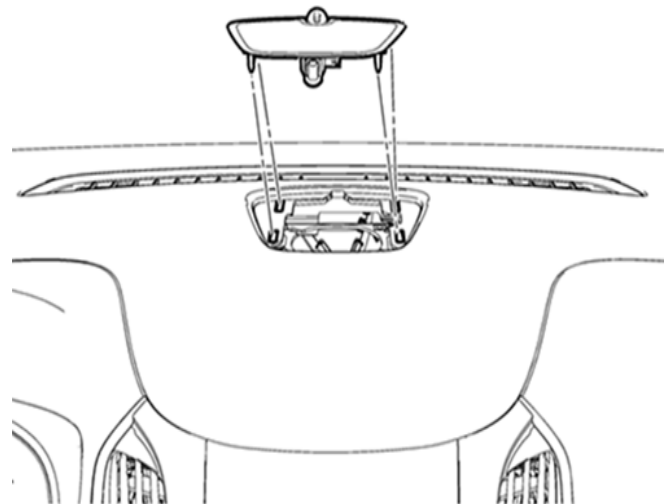
### Correction



4586937

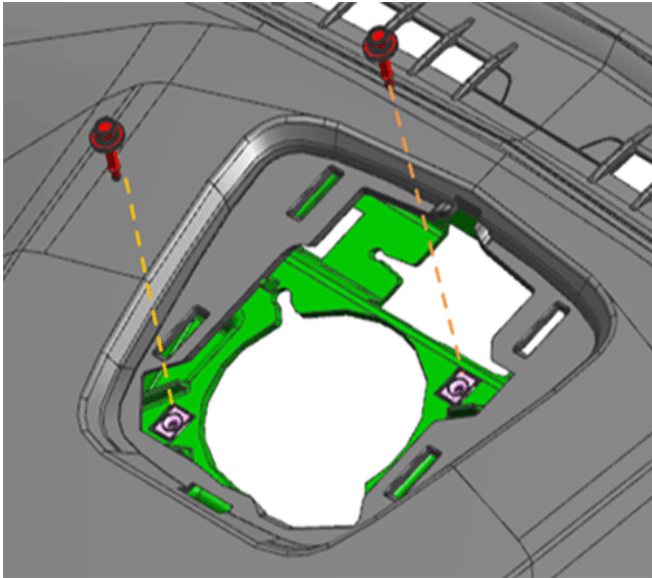
Verify the condition and install bolts to the appropriate IP locations to keep the push nuts stationary. The RPO UQF vehicles will require two bolts for the center position only, the RPO UZ6 vehicles will require six; two per three locations.

### Service Procedure



4586938

1. Detach the front center radio speaker grille. Refer to *Radio Front Center Speaker Grille Replacement* in SI.



4586940

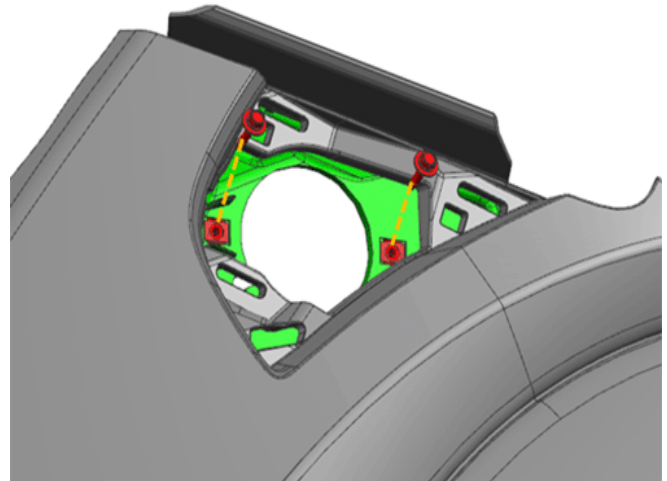
2. Install the service part bolt, listed in the part table below, to both of the clinch nut locations shown above.
3. Reinstall the front center radio speaker grille.
  - **For vehicles equipped with RPO UQF**, no further action is required.
  - **If vehicle is equipped with RPO UZ6**, continue on to step #4.



4586941

**Note:** It is NOT necessary to remove the windshield garnish moldings to remove the front speaker grilles.

4. Using a suitable flat-bladed tool or trim stick, unlock the retaining tabs and remove the right front speaker grille.



4586943

5. Install the service part bolt to both of the clinch nut locations shown above.
6. Reinstall the front radio speaker grille.
7. Repeat steps #4–6 on the left side speaker grille location.

### Parts Information

Description	Part Number	Qty
BOLT/SCREW	11547755	2 or 6

## Warranty Information

For vehicles repaired under warranty, use:

Labor Operation	Description	Labor Time
0580218*	Install Center IP Speaker Bolts (RPO UQF)	0.2 hr
Add	Install Outboard IP Bolts (RPO UZ6)	0.1 hr

\*This is a unique Labor Operation for Bulletin use only.

Version	1
Modified	

