

TECHNICAL BULLETIN  
 LTB00846NAS2  
 04 NOV 2016



© Jaguar Land Rover North America, LLC

NOTE: The information in Technical Bulletins is intended for use by trained, professional Technicians with the knowledge, tools, and equipment required to do the job properly and safely. It informs these Technicians of conditions that may occur on some vehicles, or provides information that could assist in proper vehicle service. The procedures should not be performed by 'do-it-yourselfers'. If you are not a Retailer, do not assume that a condition described affects your vehicle. Contact an authorized Land Rover service facility to determine whether this bulletin applies to a specific vehicle.

**This reissue replaces all previous versions. Please destroy all previous versions.**

Changes are highlighted in gray

**SECTION: 501-05**

Front/Rear Door Interior Trim Panel Detached

**AFFECTED VEHICLE RANGE:**

**Discovery Sport (LC)**

**Model Year:** 2015-2017  
**VIN:** 500429-638683  
**Assembly Plant:** Halewood

**MARKETS:**

NAS

**CONDITION SUMMARY:**

**Situation:** The front and/or rear door interior trim panel(s) may become detached from the door.

**Cause:** This may be caused when the load applied to the door trim during door closure exceeds the existing clip capability, causing the door trim panel to become detached. Lantern clip part number LR044885 has a higher retention value and is to be fitted to the areas where the extra pull of force is exerted.

**Action:** Should a customer express this concern, follow the appropriate Service Instruction section(s) below.

**PARTS:**



**NOTE:** Door interior trim panels are not kept in stock and are manufactured to order by VIN. Pre-order quoting 'LTB00846' and VIN so that the order can be prioritized.

LR044885	Lantern Clip	2
LR013135	Trim Clip	38
LR084514	Front door aperture seal	1
LR084518	Rear door aperture seal	1
LR064208	Front Left Interior Door Trim Panel	1
LR064207	Front Right Interior Door Trim Panel	1
LR064210	Rear Left Interior Door Trim Panel	1
	Rear Right Interior Door Trim Panel	1

**TOOLS:**

Refer to Workshop Manual for any required special tools.

**WARRANTY:**



**NOTE:** Repair procedures are under constant review, and therefore times are subject to change; those quoted here must be taken as guidance only. Always refer to TOPIx to obtain the latest repair time.

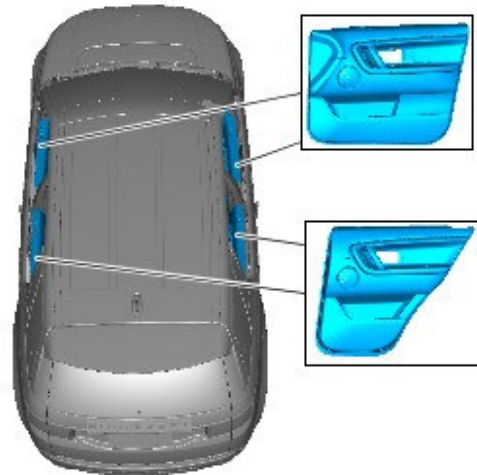
**NOTE: DDW requires the use of causal part numbers. Labor only claims must show the causal part number with a quantity of zero.**

DESCRIPTION	SRO	TIME (HOURS)	CONDITION CODE	CAUSAL PART
Trim panel - Front door - Left - Renew	<b>76.34.01</b>	0.4	07	LR064207
Trim panel - Front door - Right - Renew	<b>76.34.17</b>	0.4	07	LR064207
Trim panel - Rear door - Renew	<b>76.34.04</b>	0.3	07	LR064207
Interior door Trim - Rear - Pair - Renew - Install New Trim Clips	<b>76.34.89.38</b>	0.6	07	LR064207
Seal - door aperture - Front - Renew	<b>76.40.60</b>	0.2	1	LR064207
Seal - door aperture - Rear - Renew	<b>76.40.61</b>	0.1	07	LR064207

**NOTE: Normal Warranty procedures apply.**

### **COMPONENT LOCATION**

1. Component location.



E185592

### **SERVICE INFORMATION:**

**Vehicle Identification Number (VIN) coverage:**

**Section A:** front door interior trims - VIN 501001-554300

**Section B:** front door interior trims - VIN 554301-638683

**Section C:** rear door interior trims - VIN 501001-566509

**Section D:** rear door interior trims - VIN 566510-638683

### **SERVICE INSTRUCTION:**

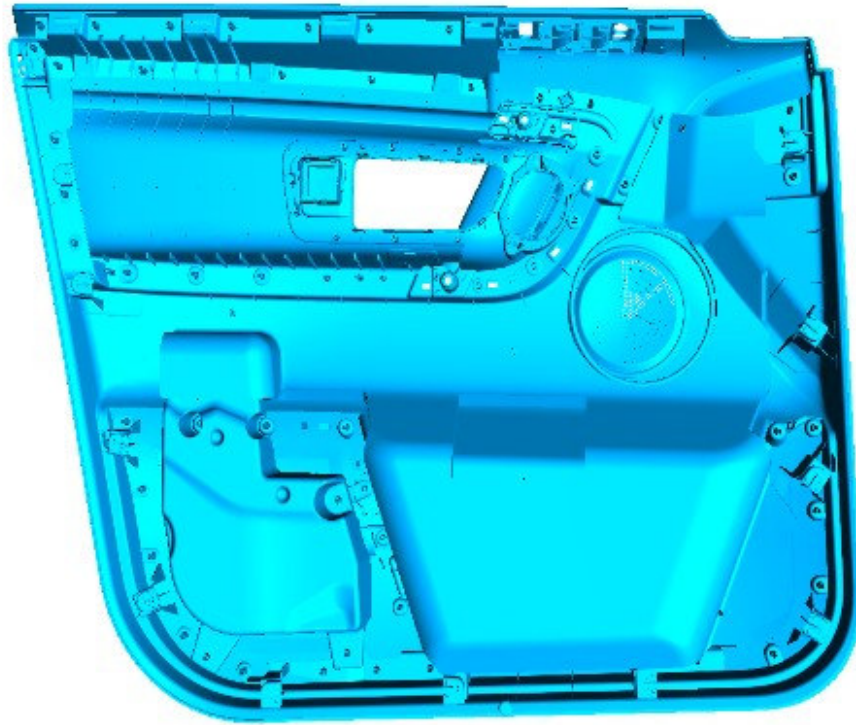
**NOTE: Changes are extensive and therefore not highlighted.**

**Section A: front door interior trim - VIN 501001-554300.**

1. Remove the front door interior trim from the side of the vehicle which has become detached (see TOPIX Workshop Manual section 501-05: Body and Paint - Interior Trim and Ornamentation - Front Door Trim Panel).

2. **NOTE: Right-side shown; left-side similar.**

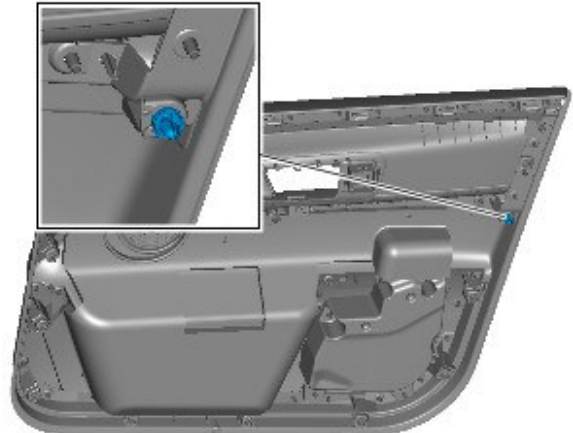
Prepare a new front door interior trim.



E199242

3.  **NOTE: Left-side shown; right-side similar.**

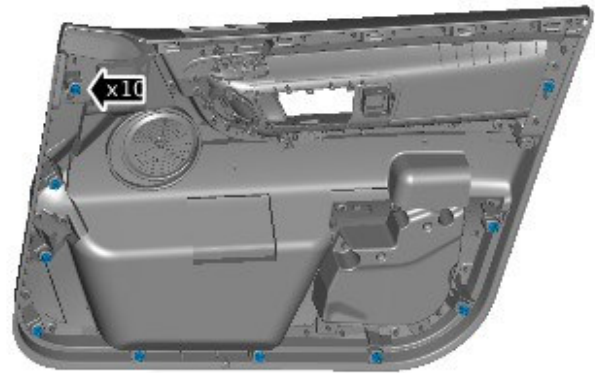
Install a new lantern style clip in the position shown.



E184763

4.  **NOTE: Left-side shown; right-side similar.**

Install the 10 new trim clips to the new front door interior trim.



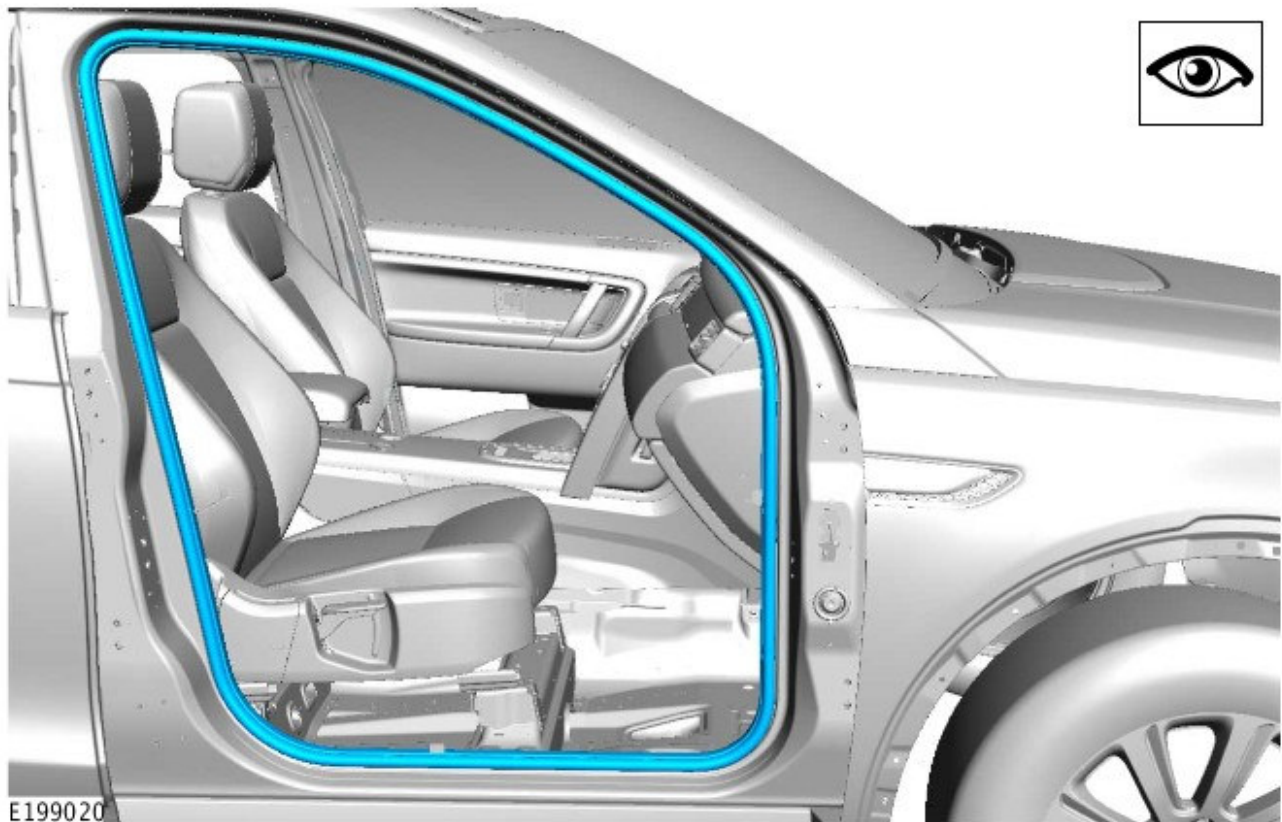
E184770

5. Install the new front door interior trim (see TOPIX Workshop Manual section 501-05: - Body and Paint - Interior Trim and Ornamentation - Front Door Trim Panel).

6.  **NOTE: Right-side shown; left-side similar.**

Visually inspect the front door aperture seal for damage caused by the detached front door interior trim.

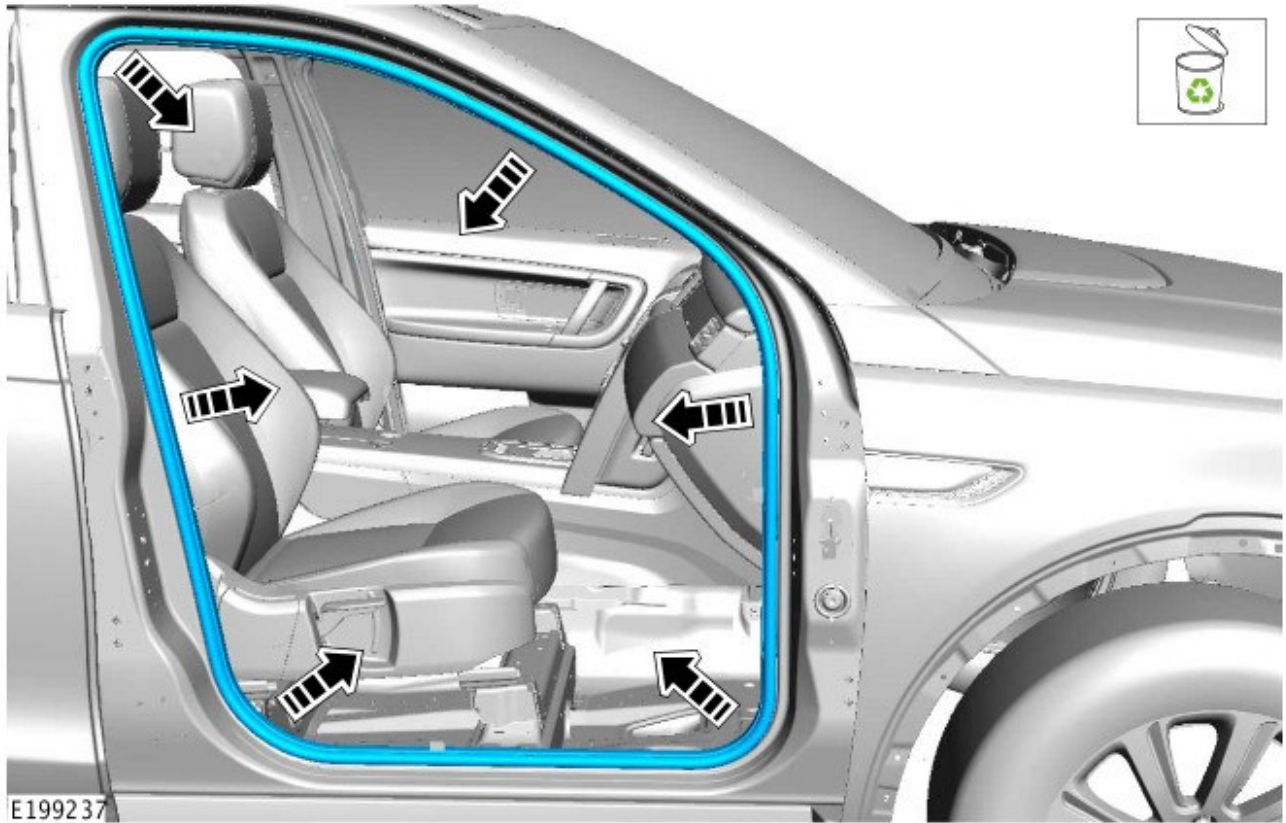
- If the seal is damaged, go to Step 7.
- If the seal is not damaged, go to Step 9.



E199020

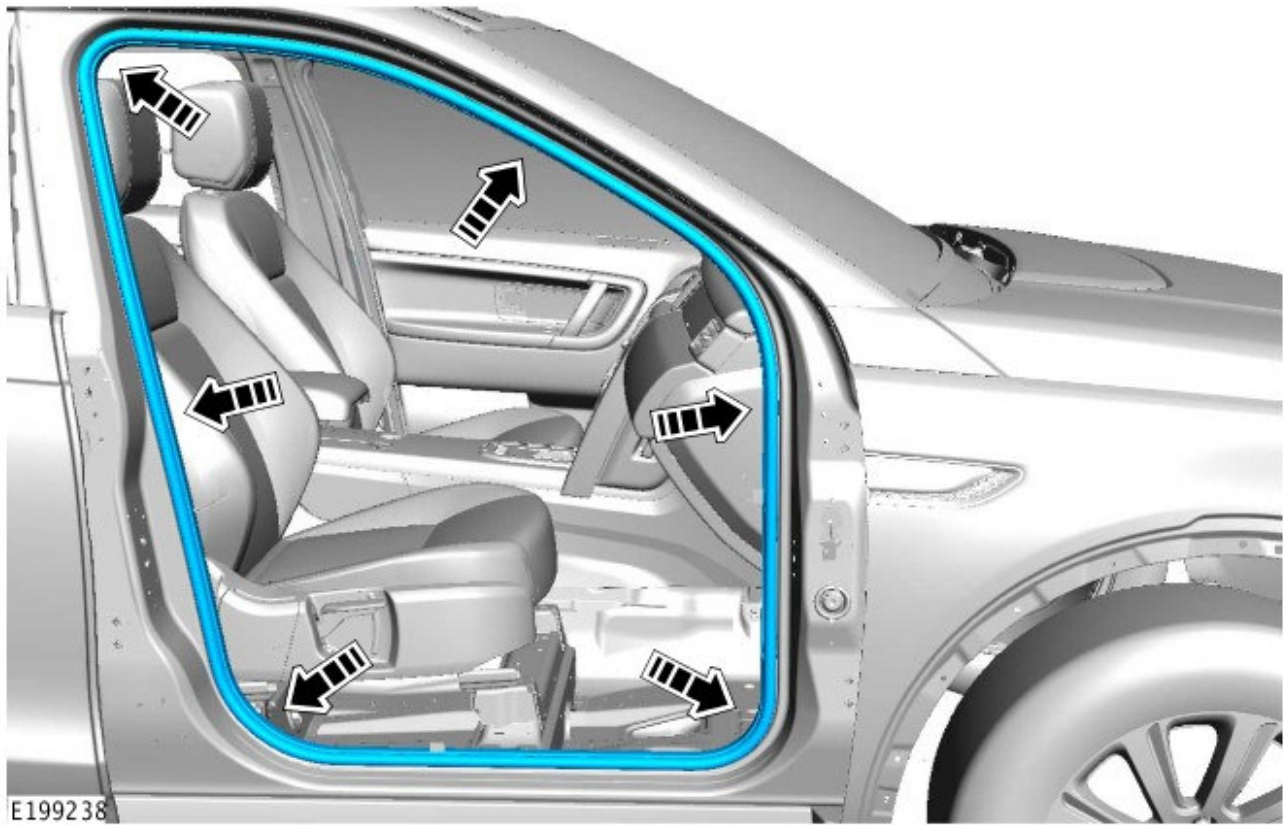
7.  **NOTE: Right-side shown; left-side similar.**

Remove and discard the damaged front door aperture seal.



8.  **NOTE: Right-side shown; left-side similar.**

Install a new front door aperture seal.

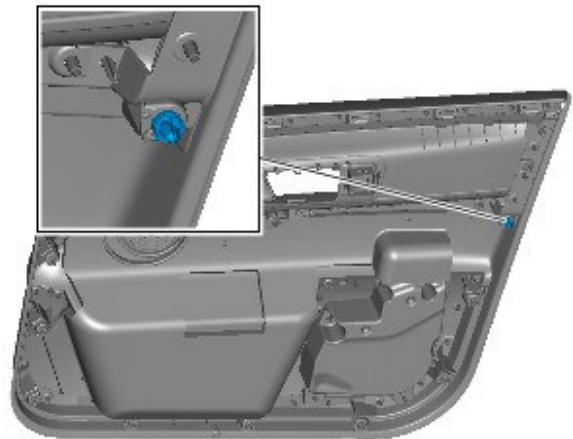


E199238

9. Remove the front door interior trim from the opposite side of the vehicle (see TOPIx Workshop Manual section 501-05: Body and Paint - Interior Trim and Ornamentation - Front Door Trim Panel).

10.  **NOTE: Left-side shown; right-side similar.**

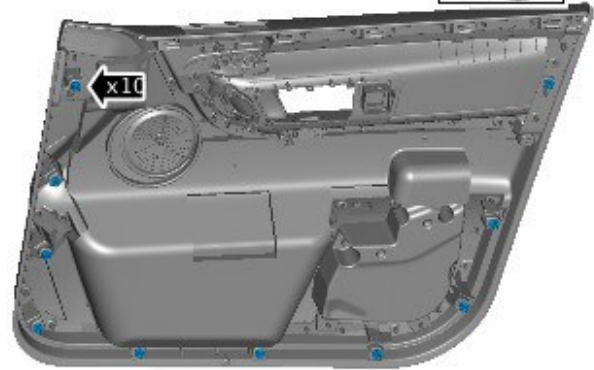
Remove and discard the lantern style clip and install the new lantern style clip.



E184763

11.  **NOTE: Left-side shown; right-side similar.**

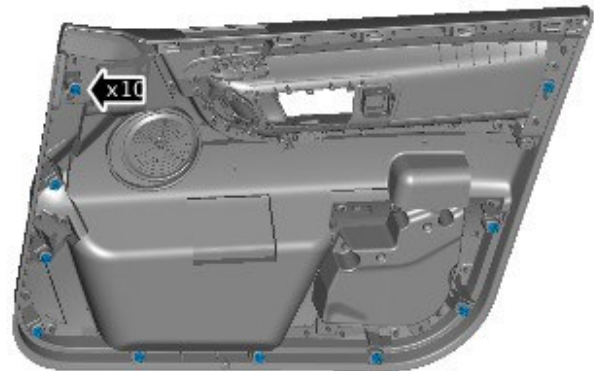
Remove and discard the 10 remaining trim clips from the front door interior trim.



E184764

12.  **NOTE: Left-side shown; right-side similar.**

Install the 10 new trim clips to the front door interior trim.



E184770

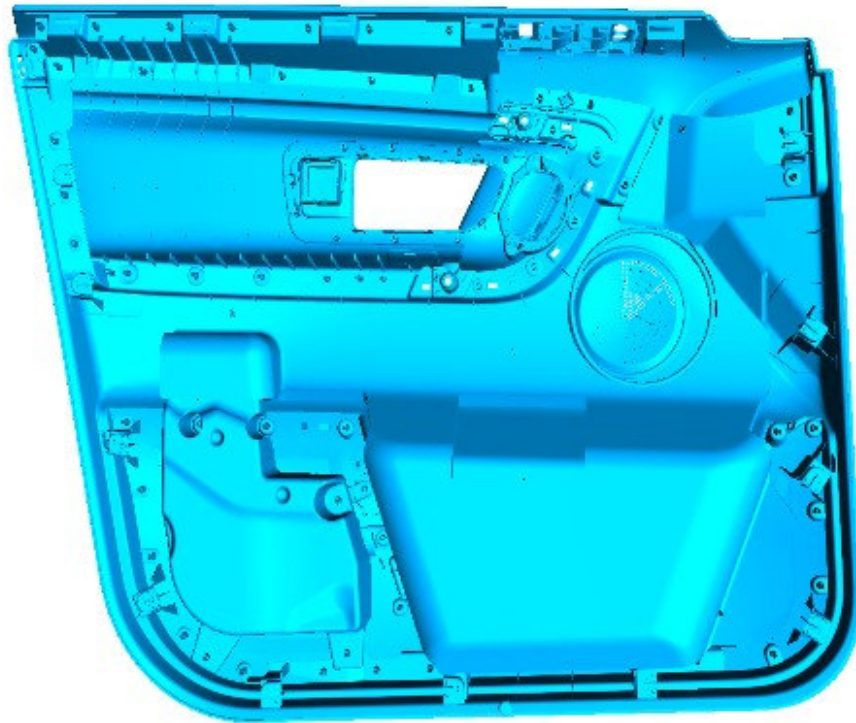
13. Install the front door interior trim (see TOPIx Workshop Manual section 501-05: Body and Paint - Interior Trim and Ornamentation - Front Door Trim Panel).

#### Section B: front door interior trim - VIN 554301-638683

14. Remove the front door interior trim from the side of the vehicle which has become detached (see TOPIx Workshop Manual section 501-05: Body and Paint - Interior Trim and Ornamentation - Front Door Trim Panel).

15.  **NOTE: Right-side shown; left-side similar.**

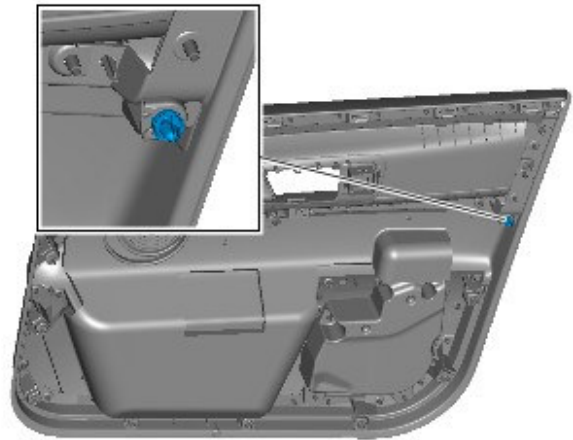
Prepare a new front door interior trim.



E199242

16.  **NOTE: Left-side shown; right-side similar.**

Install a new lantern style clip in the position shown.

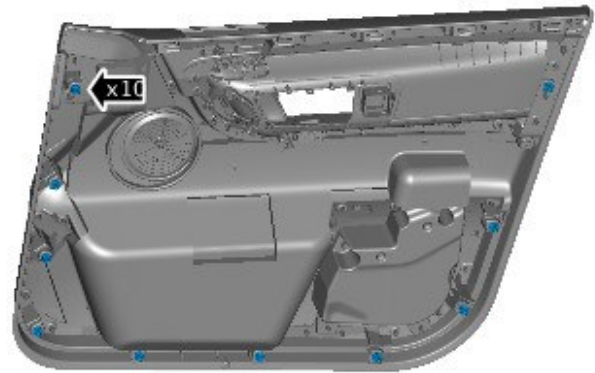


E184763

17.  **NOTE: Left-side shown; right-side similar.**

Install the 10 new trim clips to the new front door interior trim.





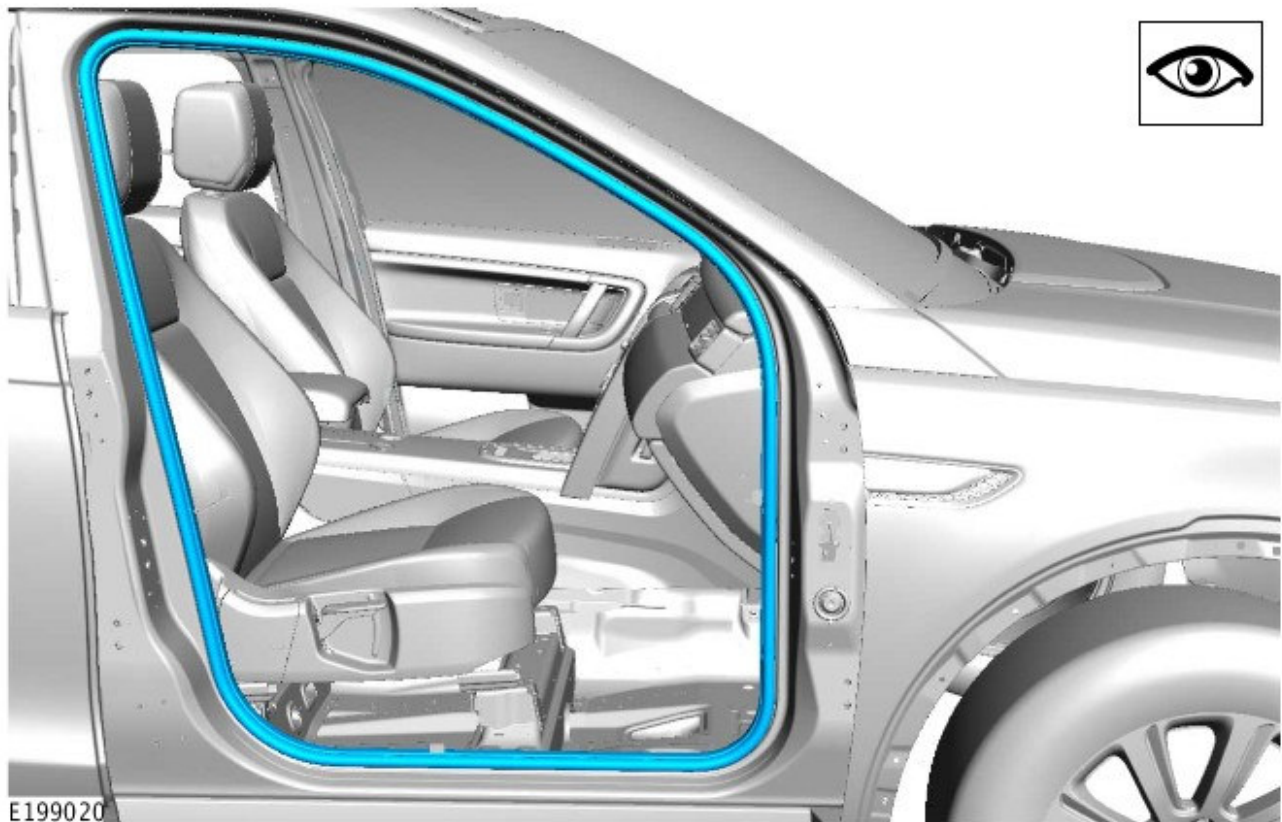
E184770

18. Install the new front door interior trim (see TOPIx Workshop Manual section 501-05: Body and Paint - Interior Trim and Ornamentation - Front Door Trim Panel).

19.  **NOTE: Right-side shown; left-side similar.**

Visually inspect the front door aperture seal for damage caused by the detached front door interior trim.

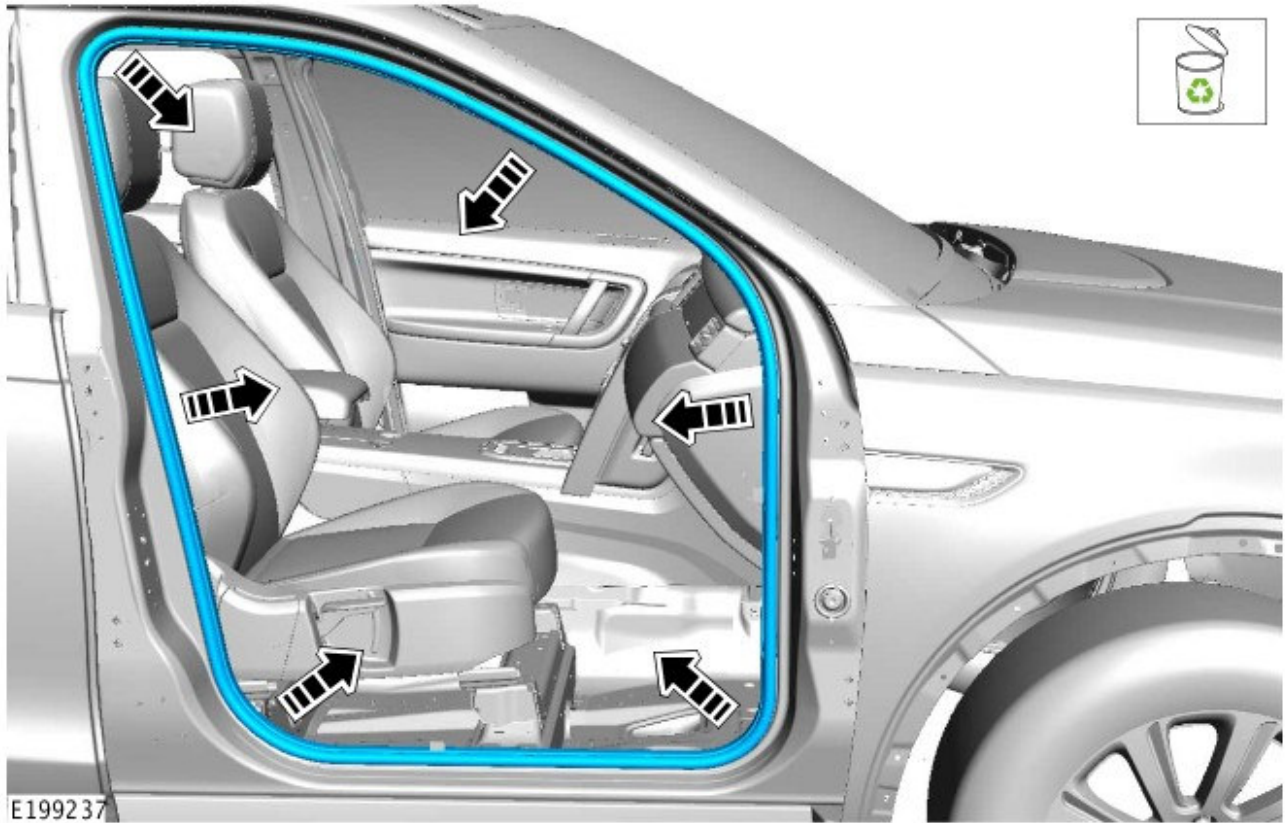
- If the seal is not damaged, do not continue with this bulletin.
- If the seal is damaged, go to Step 20.



E199020

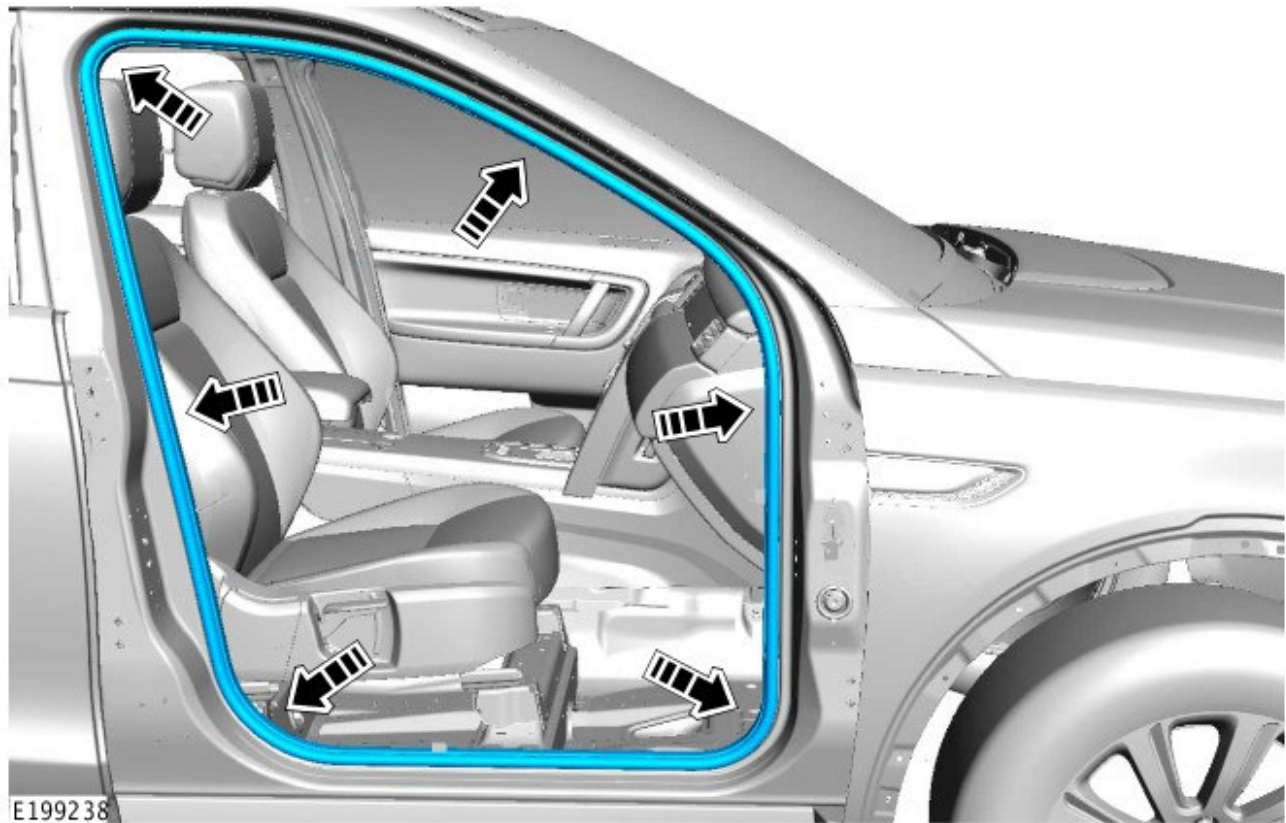
20.  **NOTE: Right-side shown; left-side similar.**

Remove and discard the damaged front door aperture seal.



21.  **NOTE: Right-side shown; left-side similar.**

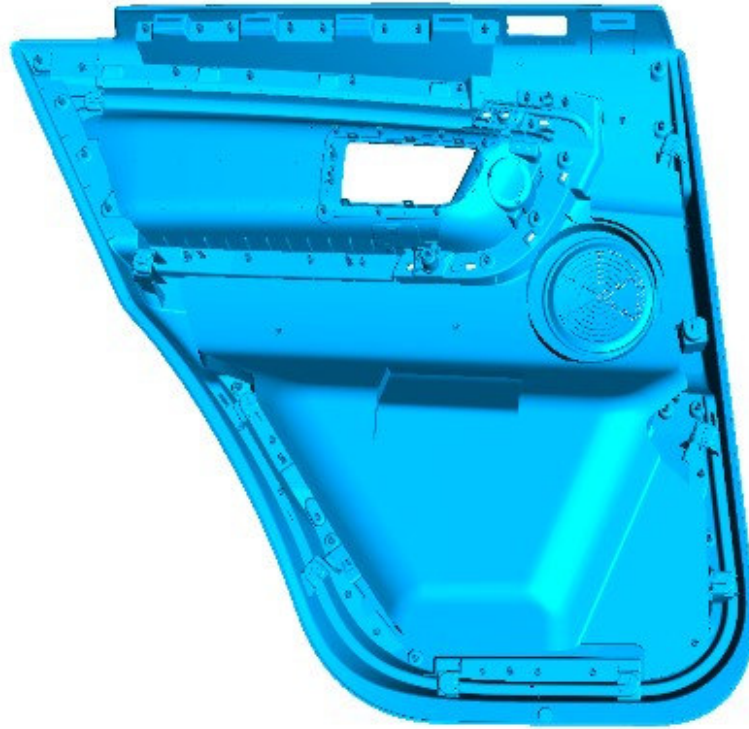
Install a new front door aperture seal.



**Section C: rear door interior trim - VIN 501001-566509.**

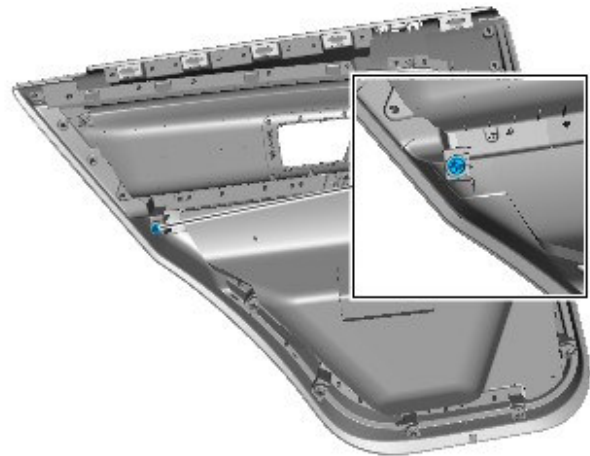
 **NOTE: All illustrations: right-side shown; left-side similar.**

- 22.** Remove the rear door interior trim from the side of the vehicle which has become detached (see TOPIX Workshop Manual section 501-05: Body and Paint - Interior Trim and Ornamentation - Rear Door Trim Panel).
- 23.** Prepare a new rear door interior trim.



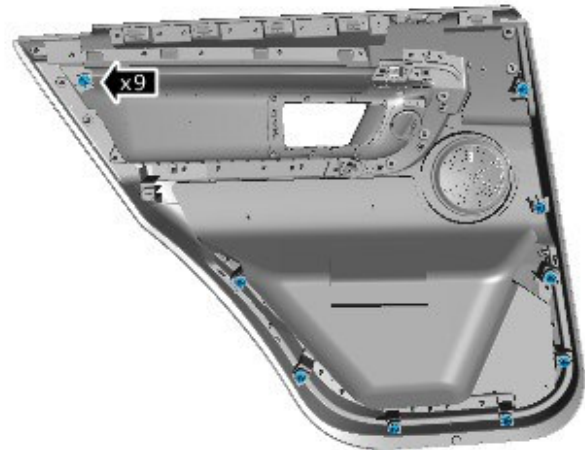
E199241

**24.** Install a new lantern style clip in the location shown.



E185593

**25.** Install the nine new clips to the new rear door interior trim.

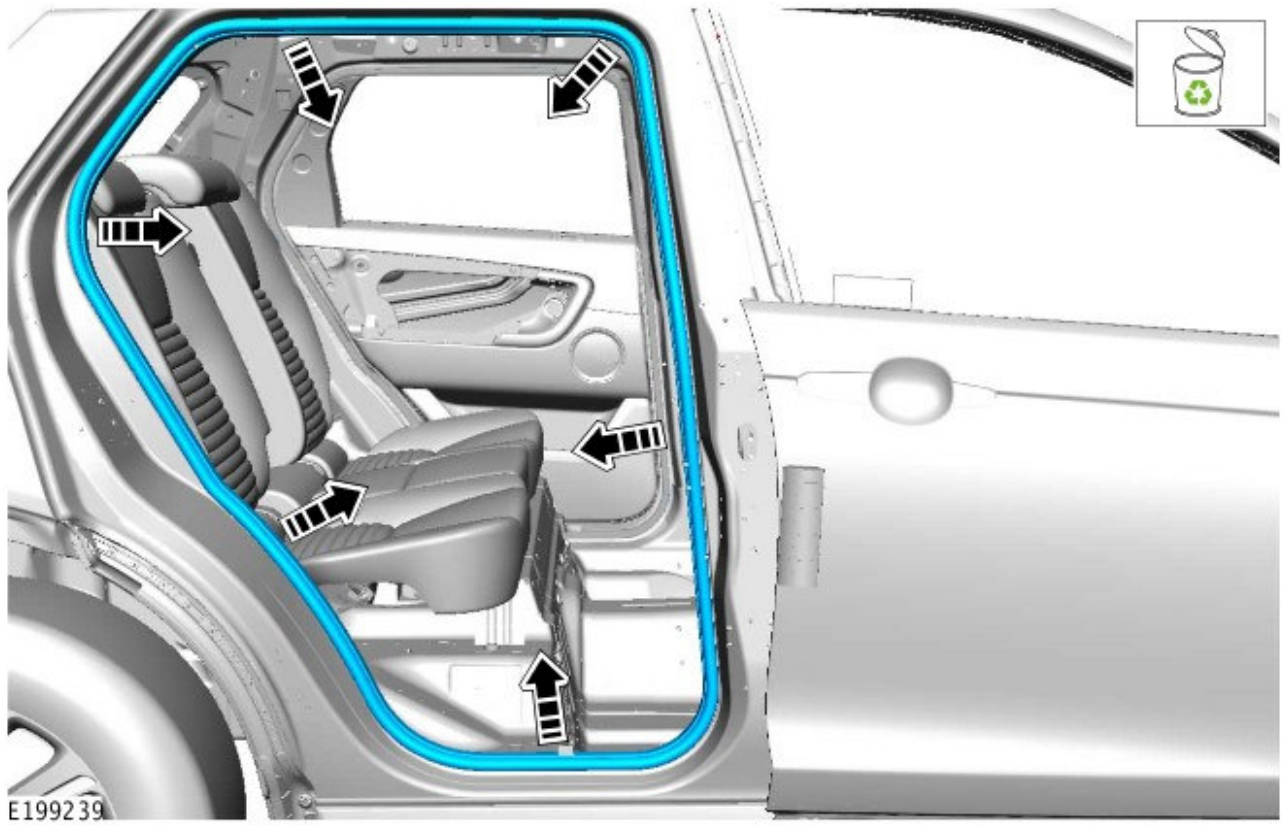


E185595

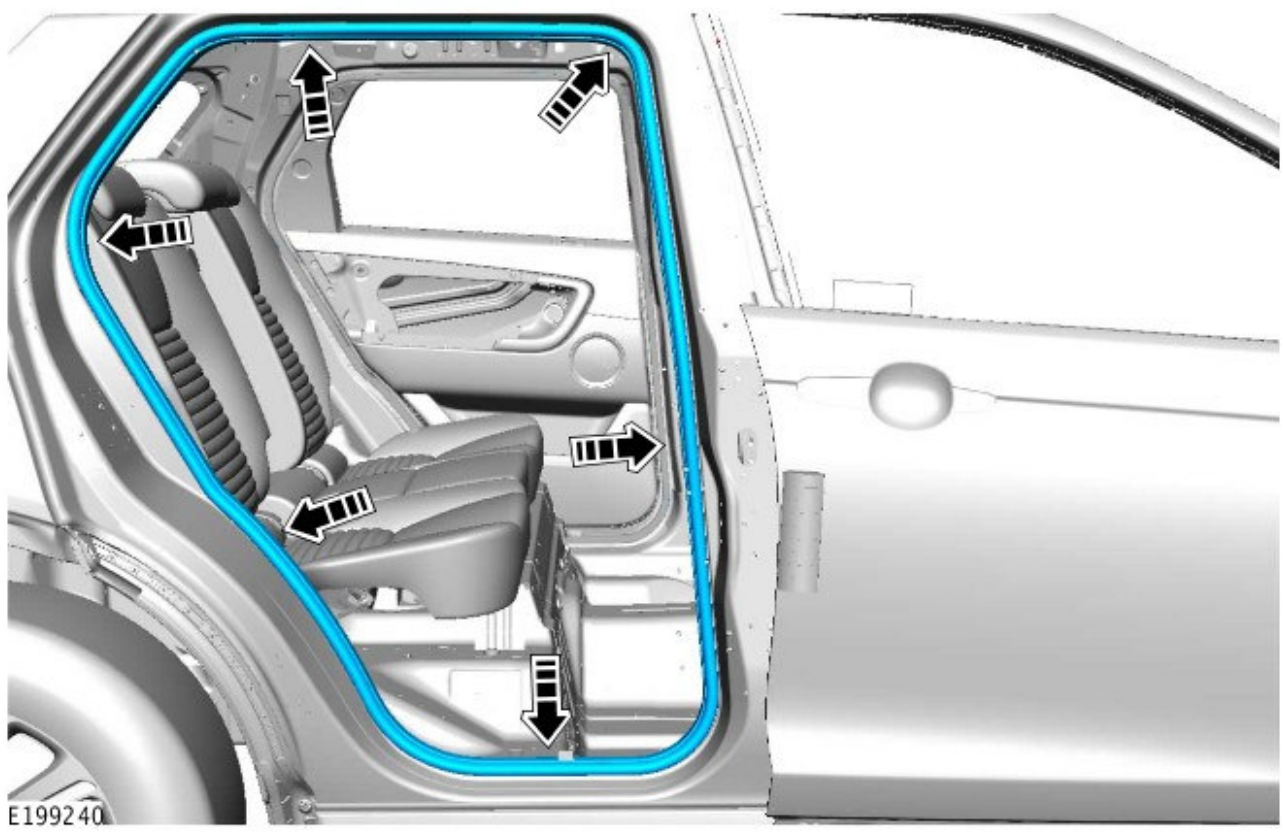
- 26.** Install the new rear door interior trim (see TOPIx Workshop Manual section 501-05: Body and Paint - Interior Trim and Ornamentation - Rear Door Trim Panel).
- 27.** Visually inspect the rear door aperture seal for damage caused by the rear door interior trim.
- If the seal is not damaged, go to Step 30.
  - If the seal is damaged, go to Step 28.



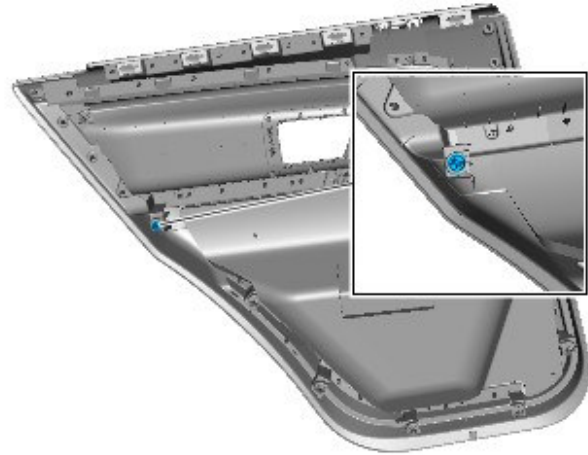
- 28.** Remove and discard the damaged rear door aperture seal.



29. Install a new rear door aperture seal.

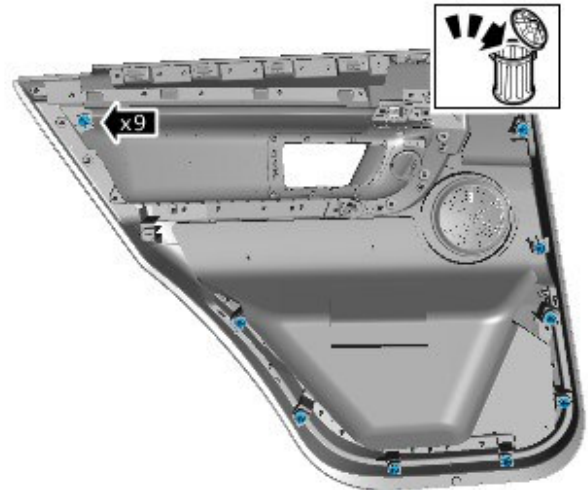


- 30.** Remove the rear door interior trim from the opposite side of the vehicle (see TOPIx Workshop Manual section 501-05: Body and Paint - Interior Trim and Ornamentation - Rear Door Trim Panel).
- 31.** Remove and discard the lantern style clip and install the new lantern style clip.



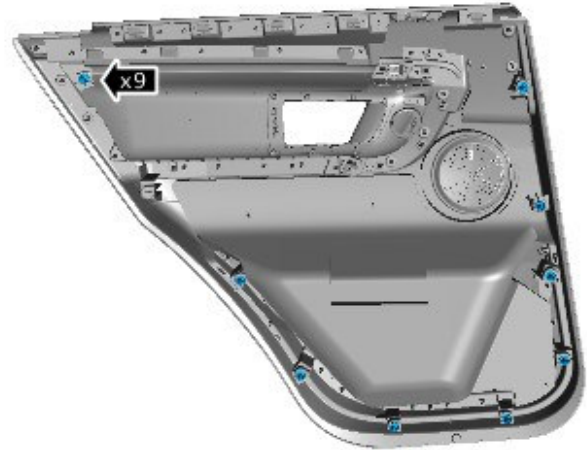
E185593

- 32.** Remove and discard the nine remaining trim clips from the rear door interior trim.



E185594

- 33.** Install the nine new trim clips to the rear door interior trim.



E185595

34. Install the rear door interior trim (see TOPIx Workshop Manual section 501-05: Body and Paint - Interior Trim and Ornamentation - Rear Door Trim Panel).

**Section D: rear door interior trim - VIN 566510-638683.**

35. Remove the rear door interior trim from the side of the vehicle which has become detached (see TOPIx Workshop Manual section 501-05: Body and Paint - Interior Trim and Ornamentation - Rear Door Trim Panel).

36.  **NOTE: Right-side shown; left-side similar.**

Prepare a new rear door interior trim.

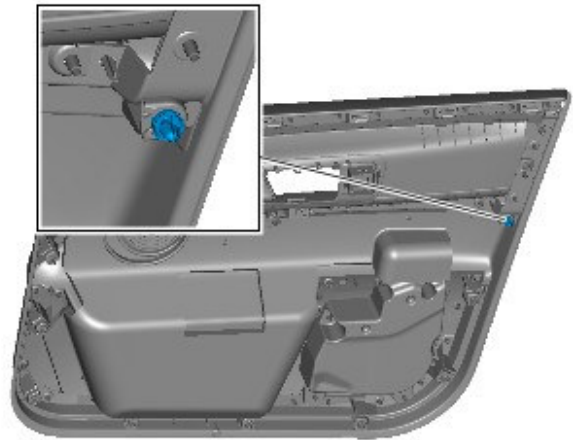




E199241

37.  **NOTE: Front left-side shown; rear left-side and right-side similar.**

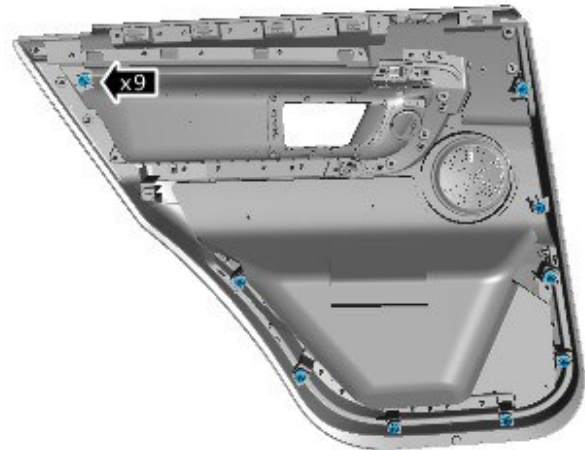
Install a new lantern style clip in the position shown.



E184763

38.  **NOTE: Right-side shown; left-side similar.**

Install the nine new trim clips to the new rear door interior trim.



E185595

39. Install the new rear door interior trim (see TOPIx Workshop Manual section 501-05: Body and Paint - Interior Trim and Ornamentation - Rear Door Trim Panel).

40.  **NOTE: Right-side shown; left-side similar.**

Visually inspect the rear door aperture seal.

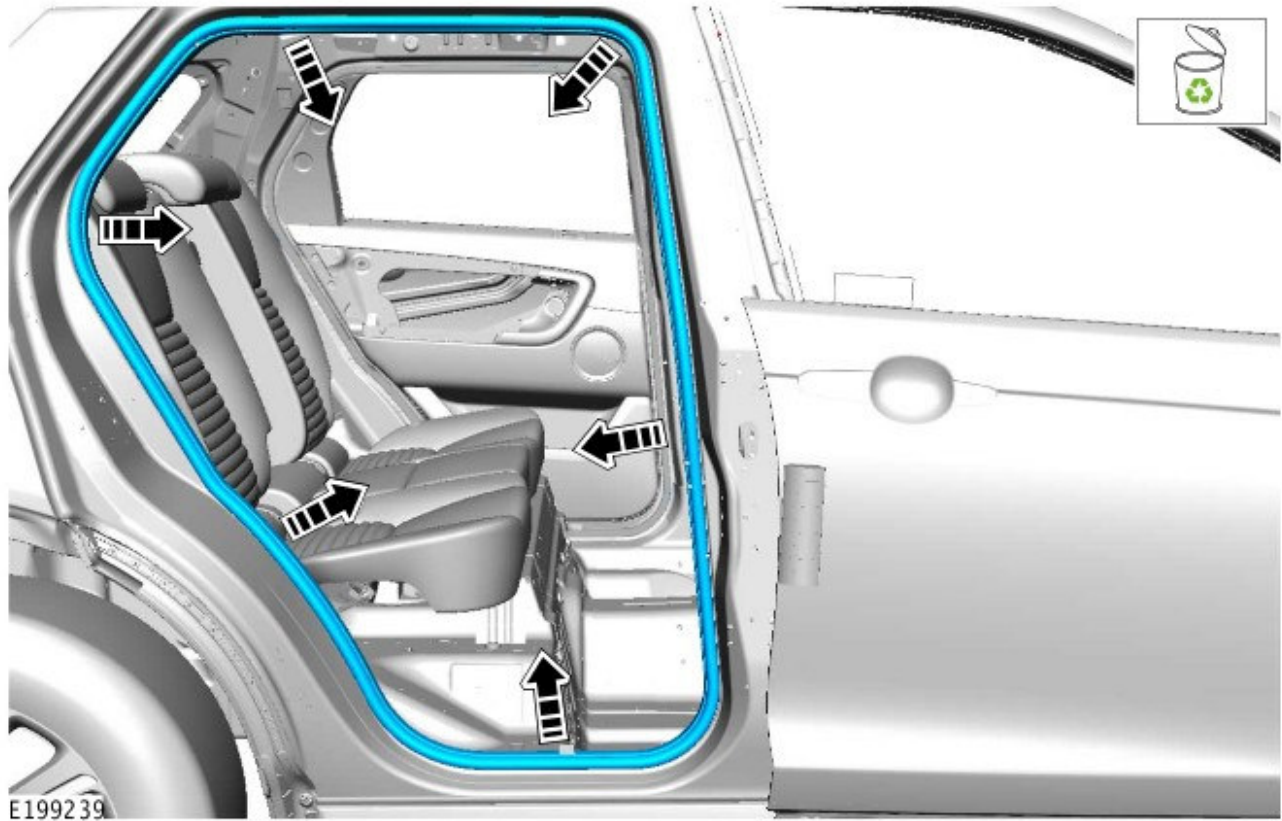
- If the seal is not damaged, do not continue with this bulletin.
- If the seal is damaged, go to Step 41.



E199021

41.  **NOTE: Right-side shown; left-side similar.**

Remove and discard the damaged rear door aperture seal.



42.  **NOTE: Right-side shown; left-side similar.**

Install a new rear door aperture seal.

