

TECHNICAL BULLETIN  
LTB00663NAS5  
04 NOV 2016



© Jaguar Land Rover North America, LLC

NOTE: The information in Technical Bulletins is intended for use by trained, professional Technicians with the knowledge, tools, and equipment required to do the job properly and safely. It informs these Technicians of conditions that may occur on some vehicles, or provides information that could assist in proper vehicle service. The procedures should not be performed by 'do-it-yourselfers'. If you are not a Retailer, do not assume that a condition described affects your vehicle. Contact an authorized Land Rover service facility to determine whether this bulletin applies to a specific vehicle.

**This reissue replaces all previous versions. Please destroy all previous versions.**

Changes are highlighted in gray

**SECTION: 415-00**

Steering Wheel Volume/Mode and/or Voice Activation Control Switch Not Functioning Correctly

**AFFECTED VEHICLE RANGE:**

**Range Rover Evoque (LV)**  
**Model Year:** 2012-2013  
**VIN:** 000447-856579  
**Assembly Plant:** Halewood

**MARKETS:**

NAS

**CONDITION SUMMARY:**

**Situation:** The steering wheel Volume/Mode and/or Voice Activation control switch may not be functioning correctly.

**Cause:** This may be caused by a poor ground.

**Action:** Should a customer express this concern, follow the Service Instruction outlined below.

**PARTS:**

**Heated Steering Wheel**

		1
LR048346	Ice switch heated	1
LR064782	Harness multi-function display	1
LR048348	Ice switch heated with telephone	1
LR076026	Steering wheel harness heated	1
LR064781	Harness touch screen	1

**Non-Heated Steering Wheel**

		1
LR048345	Ice switch	1
LR048347	Ice switch with telephone	1
LR050544	Steering wheel harness non-heated	1
LR064782	Harness multi-function display	1
LR064781	Harness touch screen	1
LR091563	Adhesive tape	1
LR091558	Cleaning wipe	1

**TOOLS:**

Refer to Workshop Manual for any required special tools.

### **WARRANTY:**



**NOTE: Repair procedures are under constant review, and therefore times are subject to change; those quoted here must be taken as guidance only. Always refer to TOPIx to obtain the latest repair time.**



**NOTE: DDW requires the use of causal part numbers. Labor only claims must show the causal part number with a quantity of zero.**

DESCRIPTION	SRO	TIME (HOURS)	CONDITION CODE	CAUSAL PART
Touch Screen - Remove for access	<b>86.53.52</b>	0.6	42	LR048346
Overlay harness - Install	<b>05.10.30</b>	0.3	42	LR048346
Instrument Cluster - Remove for access	<b>88.30.38</b>	0.4	42	LR048346
Wiring harness - Steering wheel - Install	<b>86.70.37</b>	0.4	42	LR048346



**NOTE: Normal Warranty procedures apply.**

### **SERVICE INSTRUCTION:**



**NOTE: Use DDW to verify vehicle specifications.**

1. Remove the Touch Screen (see TOPIx Workshop Manual section 415-01: Information and Entertainment System).

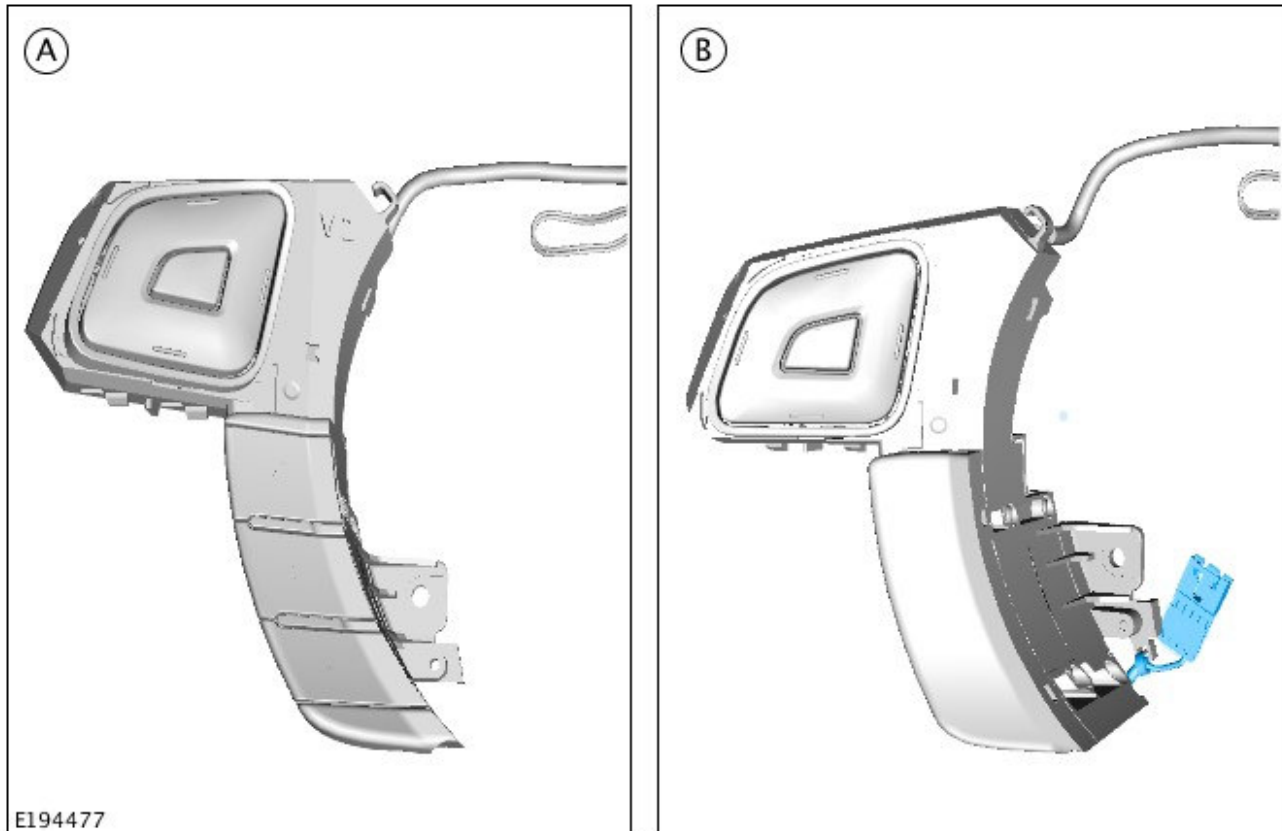


2. **NOTE: Non-heated steering wheel only.**

Remove the driver airbag (see TOPIx Workshop Manual section 501-20B: Supplemental Restraint System).

1. Check if the additional ground wire (shown in illustration 'B') is installed as part of a previous repair.

- If the additional ground wire is installed (B), follow Technical Bulletin LTB00584; do not continue with this Service Instruction.
- If the additional ground wire is not installed (A), go to Step 4.

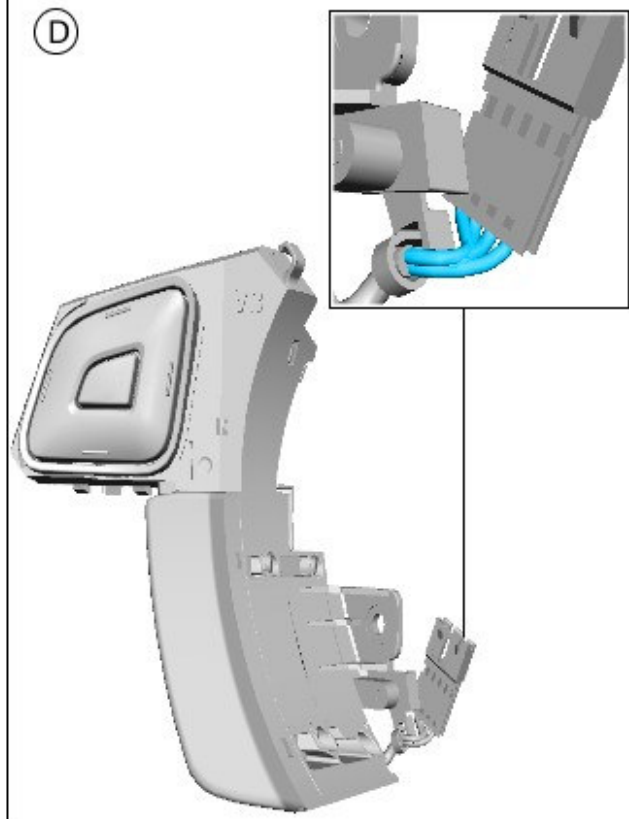
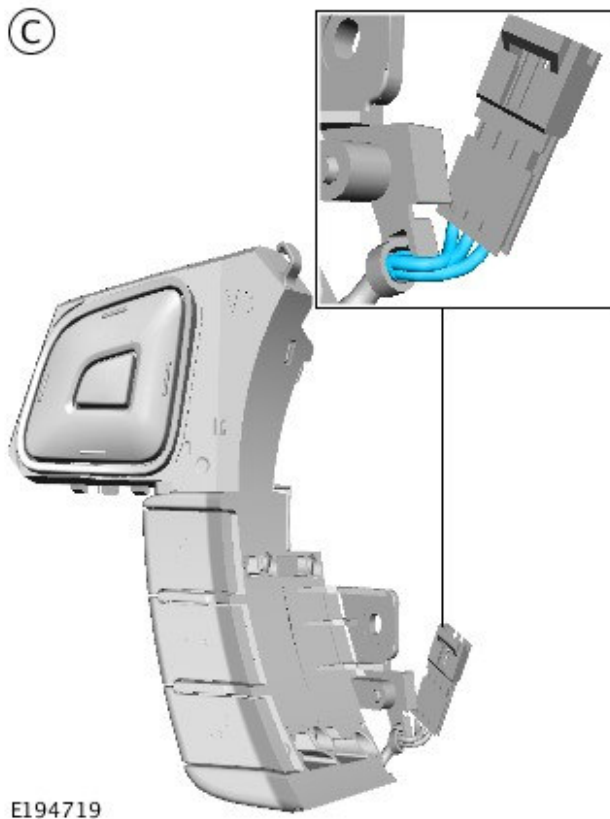


3.  **NOTE: Heated steering wheel only.**

Remove the driver airbag (see TOPIX Workshop Manual section 501-20B: Supplemental Restraint System).

1. Check if the additional ground wire (shown in illustration 'D') is installed as part of a previous repair.

- If the additional ground wire is installed (D), follow Technical Bulletin LTB00584; do not continue with this Service Instruction.
- If the additional ground wire is not installed (C), go to Step 4.

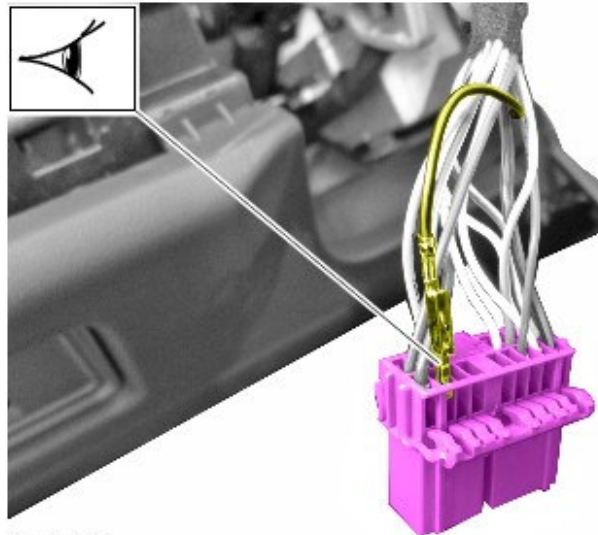


4. Remove the Instrument Cluster (see TOPIX Workshop Manual section 413-01: Instrument Cluster).
5. Remove the electrical connector C2LS41 (Green) from the module steering wheel.



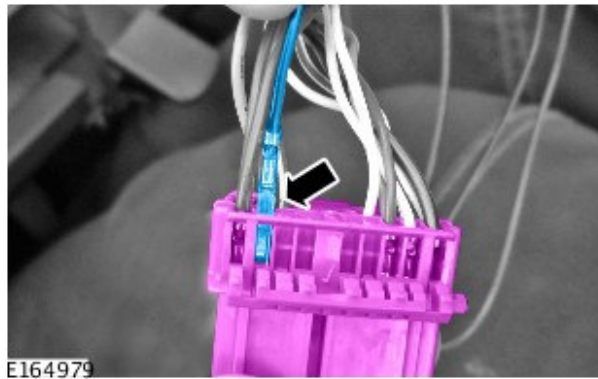
6.  **NOTE: Observe the terminal size as they are different at each end on the new overlay harness.**

Using pin out tool 418-595, back out the wire from cavity 15.



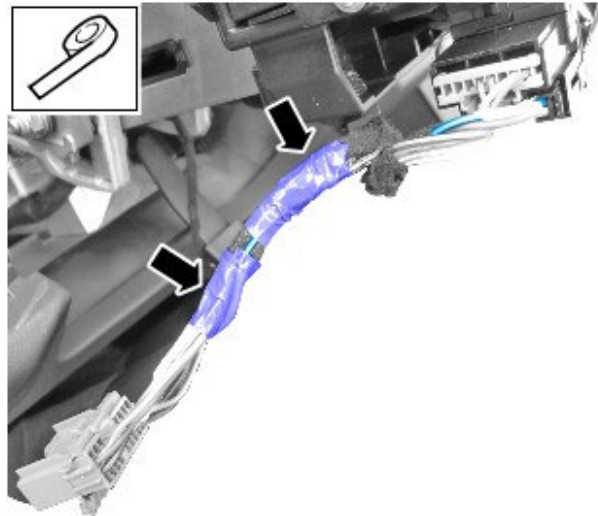
E164977

- 7.** Insert the overlay wiring harness into cavity 15 of electrical connector C2LS41 (Green).



E164979

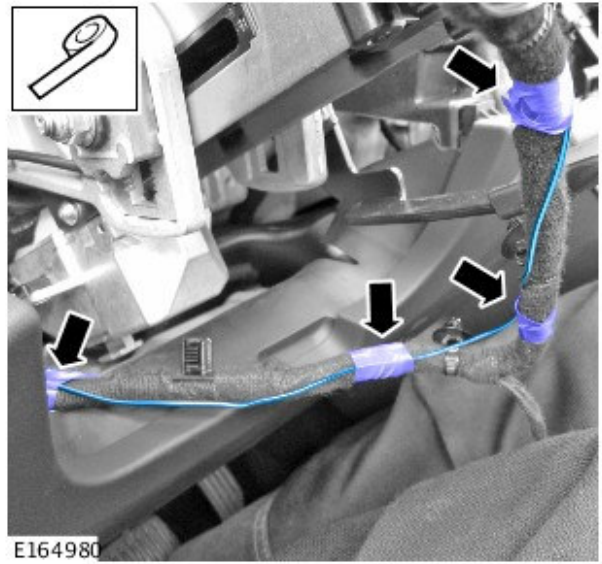
- 8.** Tape back the now redundant electrical connector to existing wiring harness.



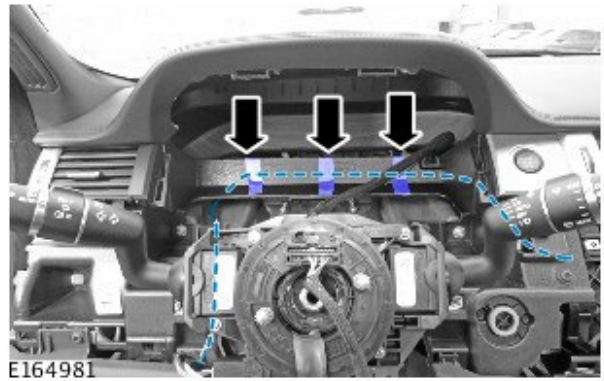
E164978

- 9.** Route the overlay wiring harness to follow the existing wiring harness.

- Tape to existing wiring harness at 100mm intervals.

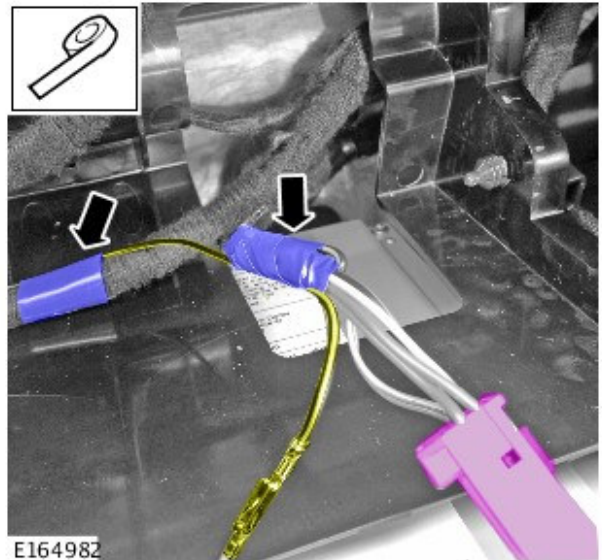


- 10.** Route the wiring harness **behind** Instrument Cluster mounting bracket and secure with tape in three places.



- 11.** Route the wiring harness to follow existing wiring harness to the Touch Screen mounting plate.

- Tape back to the existing wiring harness at 100mm intervals.

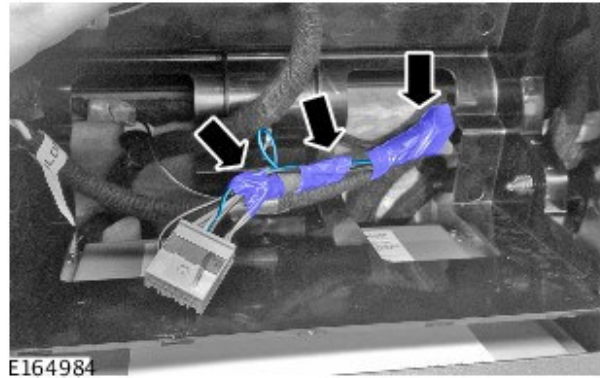


- 12.** Locate the electrical harness connector C2MC02A (Grey) from the Touch Screen.

- Using pin out tool 418-595, back out the wire from cavity 13.
- Insert the overlay wiring harness in cavity 13.



13. Tape back any excess wires to the existing wiring harness to include the redundant wire.



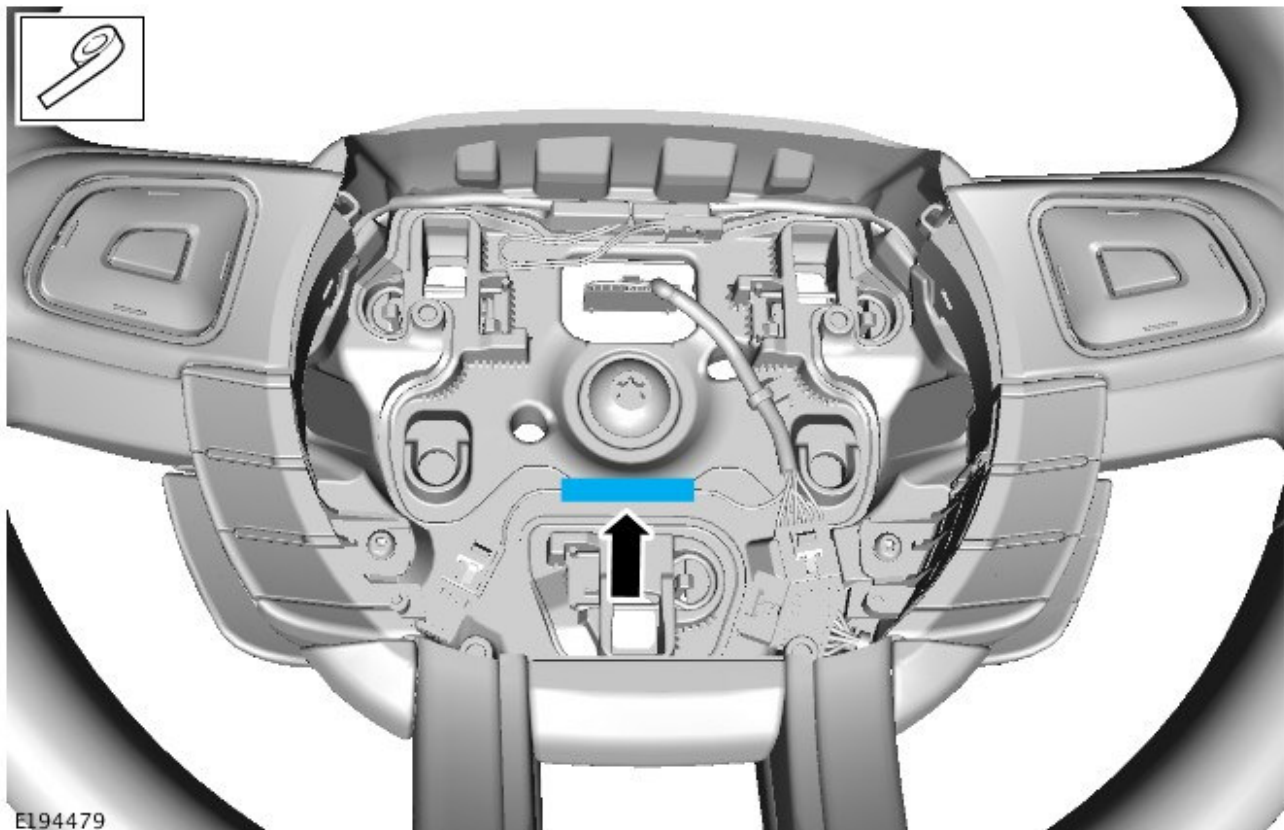
14. Install the Touch Screen (see TOPIx Workshop Manual section 415-01: Information and Entertainment System).
15. Install the Instrument Cluster (see TOPIx Workshop Manual section 415-01: Information and Entertainment System).

16.  **NOTE: Non-heated steering wheel only.**

-  **NOTE: Make sure that the harness is correctly routed and clipped into the steering wheel retainers.**

Install the new In Car Entertainment (ICE; left-hand) switch and Overlay harness - Steering wheel (see TOPIx Workshop Manual section 211-04: Steering Column).

1. Clean the surface area behind the new ground wire location (see illustration) and allow to dry
2. Apply the adhesive tape (LR091563) in the location shown to the new ground wire, smoothing to ensure adhesion.



17. Install the steering wheel (see TOPIx Workshop Manual section 211-04: Steering Column).

**18.** Test the steering wheel ICE switch functions.