

LTB00878NAS2

# TECHNICAL BULLETIN

12 DEC 2016



© Jaguar Land Rover North America, LLC

NOTE: The information in Technical Bulletins is intended for use by trained, professional Technicians with the knowledge, tools, and equipment required to do the job properly and safely. It informs these Technicians of conditions that may occur on some vehicles, or provides information that could assist in proper vehicle service. The procedures should not be performed by 'do-it-yourselfers'. If you are not a Retailer, do not assume that a condition described affects your vehicle. Contact an authorized Land Rover service facility to determine whether this bulletin applies to a specific vehicle.

INFORMATION

---

This reissue replaces all previous versions. Please destroy all previous versions.

Changes are highlighted in blue

---

**SECTION:**

501-10

---

**SUBJECT/CONCERN:**

'Creak' Noise From The Second Row Seat

---

**AFFECTED VEHICLE RANGE:**

MODEL:	MODEL YEAR:	VIN:	ASSEMBLY PLANT:
Discovery Sport (LC)	2015-2016	500429-544577	Halewood

---

**MARKETS:**

NAS

---

**CONDITION SUMMARY:**

**SITUATION:**

A 'creak' noise may be evident from the second row seat area of the vehicle.

**CAUSE:**

This may be caused by the second row seat tracks contacting each other and emitting a 'creak' noise.

**ACTION:**

Should a customer express this concern, follow the Service Instruction below.

**PARTS:****NOTES:**

- \* - an allowance (\$5.43 USD) has been given to cover the cost of the NyoGel® 774 (or equivalent Polyalphaolefin based, silica thickened, synthetic hydrocarbon grease, with a viscosity index of 274) has been given.
- NyoGel® 774 is NOT included in the Squeaks & Rattles kit and may be obtained from TAI Lubricants (302-326-0200 or nyoil@aol.com).

PART NUMBER	DESCRIPTION	QUANTITY:
ZZZ001	NyoGel® 774 (or equivalent Polyalphaolefin based, silica thickened, synthetic hydrocarbon grease, with a viscosity index of 274)	*

**TOOLS:**

Refer to Workshop Manual for any required special tools.

**WARRANTY:****NOTES:**

- Repair procedures are under constant review, and therefore times are subject to change; those quoted here must be taken as guidance only. Always refer to TOPIx to obtain the latest repair time.
- DDW requires the use of causal part numbers. Labor only claims must show the causal part number with a quantity of zero.

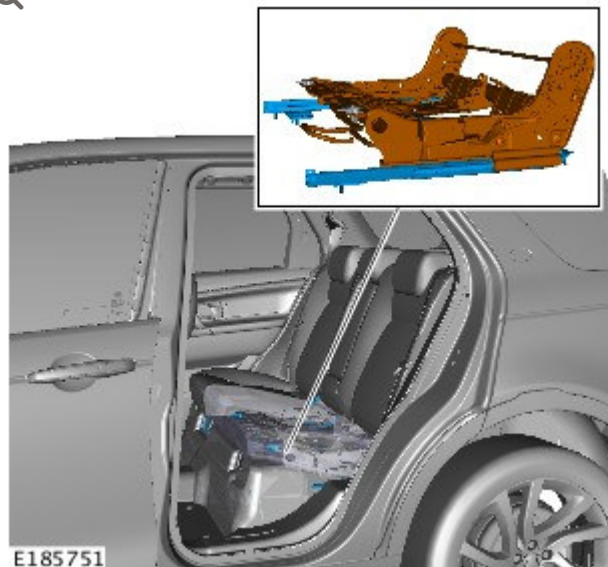
DESCRIPTION	SRO	TIME (HOURS)	CONDITION CODE	CAUSAL PART
Rear seat (second row) frame - Creaking - Repair	78.85.89.67	0.5	42	LR079288

**NOTE:**

Normal Warranty procedures apply.

COMPONENT LOCATION

1



Component location.

SERVICE INSTRUCTION:

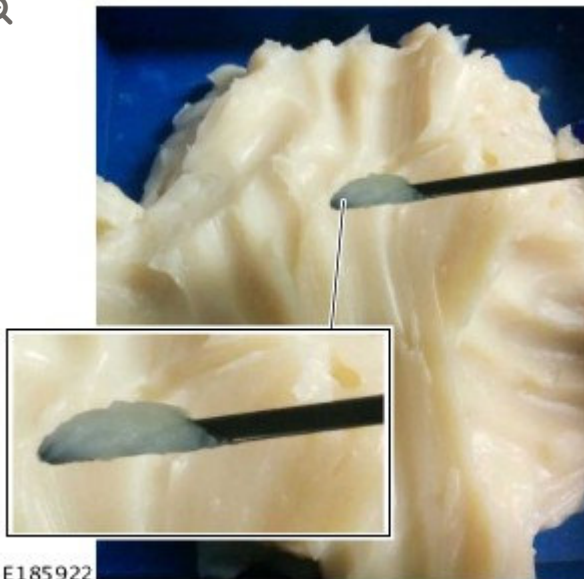
---

**CAUTION:**

**Care must be taken not to damage or dirty the seats.**

- 1 Remove the second row left-hand seat (see TOPIx Workshop Manual section 501-10: Seating).
- 2 Place the seat on the bench and turn the seat on its side.
- 3 Pull up the lever and slide both seat tracks into the fully rearwards position.

4 



Apply NyoGel® 774 (or equivalent Polyalphaolefin based, silica thickened, synthetic hydrocarbon grease, with a viscosity index of 274) to a new cable tie.

5



E185923

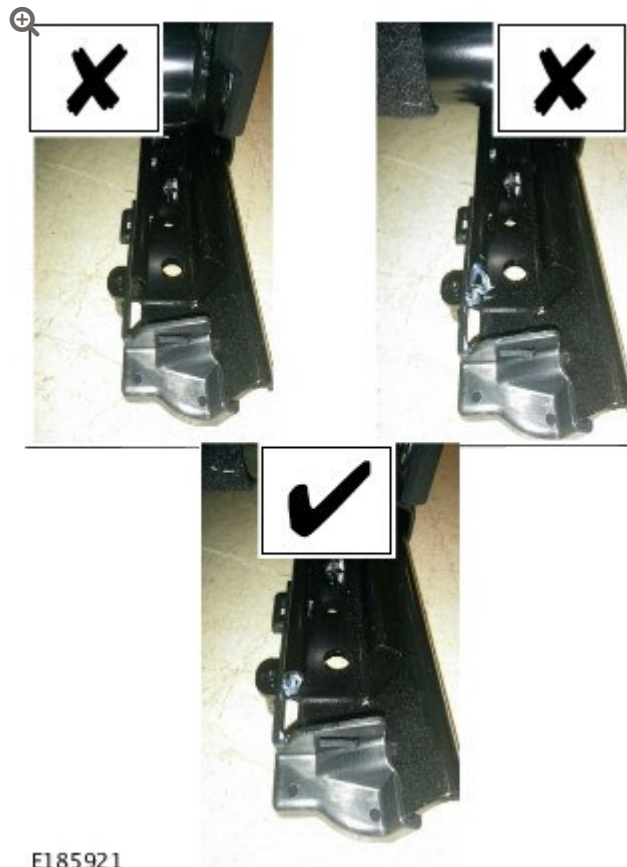
Push the NyoGel® 774 (or equivalent Polyalphaolefin based, silica thickened, synthetic hydrocarbon grease, with a viscosity index of 274) grease into both seat tracks with a new cable tie.

6



Apply NyoGel® 774 (or equivalent Polyalphaolefin based, silica thickened, synthetic hydrocarbon grease, with a viscosity index of 274) to the left-hand seat track.

- Do not leave the seat track dry.
- Do not apply too much grease to the seat track.



Use a new cable tie and apply NyoGel® 774 (or equivalent Polyalphaolefin based, silica thickened, synthetic hydrocarbon grease, with a viscosity index of 274) to the right-hand seat track.

- Do not leave the seat track dry.
  - Do not apply too much grease to the seat track.
- 8 Pull up the lever and operate the seat tracks a minimum of five times to lubricate the seat tracks.
  - 9 Make sure that both of the seat tracks are returned into the original fully forward position.
  - 10 Install the second row left-hand seat (see TOPIx Workshop Manual section 501-10: Seating).



