

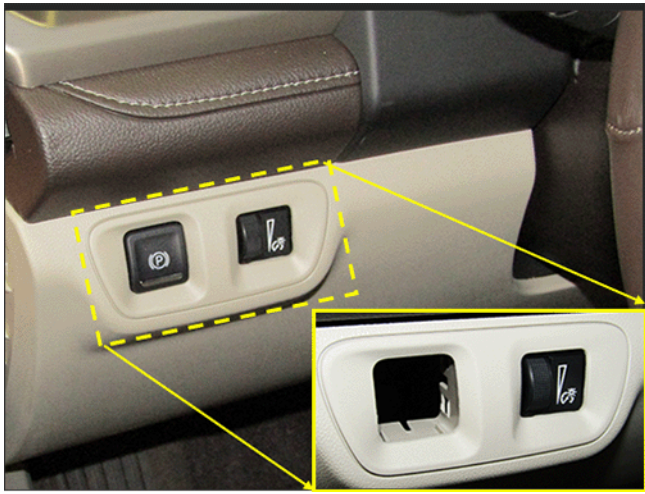


Service Bulletin

TECHNICAL

Subject: Electric Park Brake (EPB) Switch Loose, Falls into Knee Bolster

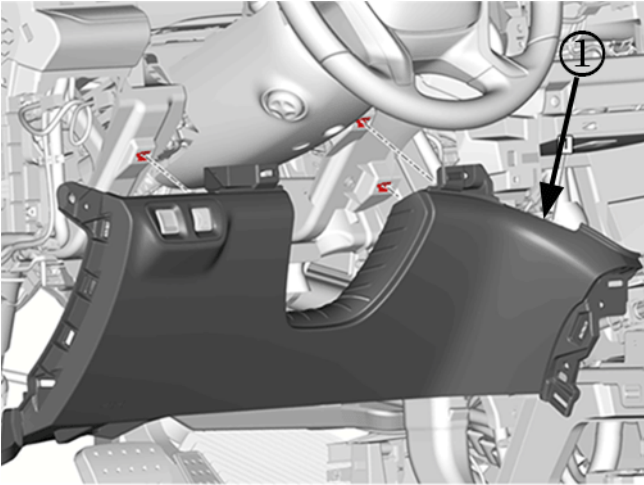
Brand:	Model:	Model Year:		VIN:		Engine:	Transmission:
		from	to	from	to		
GMC	Acadia (VIN N)	2017	2017			All	All

Involved Region or Country	NORTH AMERICA, MIDDLE EAST
Condition	 <p>Some customers may comment on the EPB switch being loose or falls into knee bolster.</p>
Cause	The cause of the condition may be that pressure on the switch is causing the retainers to disengage from the bolster.

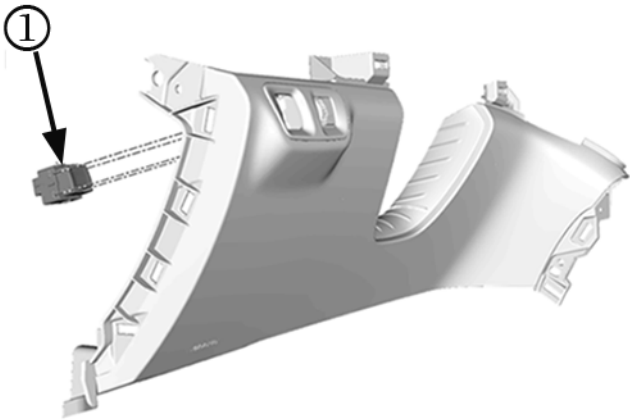
Correction

Following the Service Procedure below, replace the knee bolster and apply PET tape around the EPB switch to reinforce retention of the switch when pushed.

Service Procedure



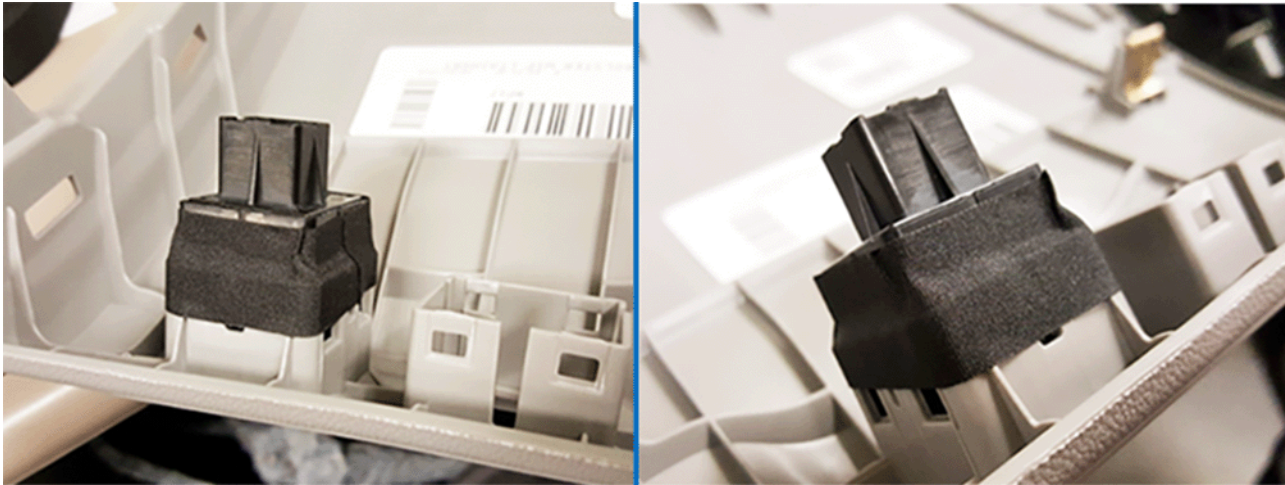
1. Remove and discard the left side IP knee bolster (1). Refer to *Instrument Panel Knee Bolster Replacement* in SI.



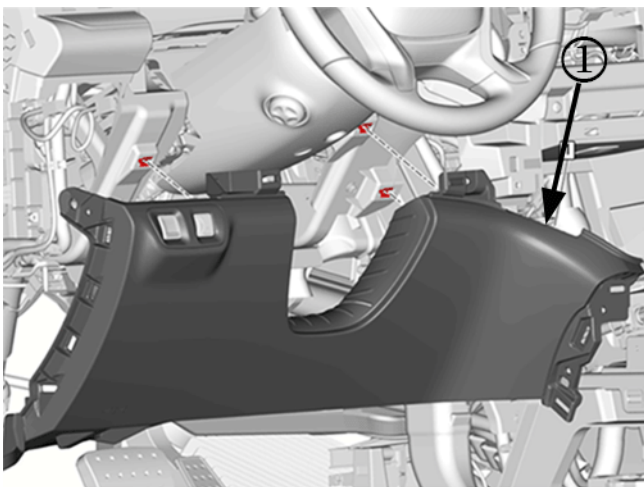
2. Reinstall the EPB switch (1) to the new bolster service part.



3. Cut a piece of Tesa® PET Cloth Abrasion Resistant Tape* or equivalent, long enough for one full wrap around the switch.



4. Apply one full wrap around the switch with approximately a 5 mm (0.197 in) edge overlap as shown in the graphic examples above.
5. Test the switch for retention when pushed.



6. Install the new left side IP knee bolster. Refer to *Instrument Panel Knee Bolster Replacement* in SI.

*We believe this source and their products to be reliable. There may be additional manufacturers of such products/materials. General Motors does not endorse, indicate any preference for, or assume any responsibility for the products or material from this firm or for any such items that may be available from other sources.

Parts Information

Note: Tesa® 51036 tape is available through the appropriate distributor below, by referencing the part number listed in the Parts table. **Do not order from GMCCA.**

- USA and Export Dealers: Contact Accurate Tape and Label, 14500 Jib St. Plymouth, MI. 48170. Ph. 734-451-7500.
- Canadian Dealers: Contact National Hardware Sales Limited (NHS) at 1-877-877-0873 or visit www.nhsmediastore.com.

Description	Part Number	Qty
Tesa® PET Cloth Abrasion Resistant Tape	TS51036	As Req'd
Bolster, I/P Knee (light ash grey)	84078188	1
Bolster, I/P Knee (shale)	84078189	
Bolster, I/P Knee (black)	84078190	

Warranty Information

For vehicles repaired under warranty, use:

Labor Operation	Description	Labor Time
1033060	Instrument Panel Knee Bolster Replacement	Use Published Labor Operation Time

Version	1
Modified	

GM bulletins are intended for use by professional technicians, NOT a "do-it-yourselfer". They are written to inform these technicians of conditions that may occur on some vehicles, or to provide information that could assist in the proper service of a vehicle. Properly trained technicians have the equipment, tools, safety instructions, and know-how to do a job properly and safely. If a condition is described, DO NOT assume that the bulletin applies to your vehicle, or that your vehicle will have that condition. See your GM dealer for information on whether your vehicle may benefit from the information.



WE SUPPORT VOLUNTARY TECHNICIAN CERTIFICATION