

XE Package, Mass Base Variable Torque
Option
D13 2015, 2016
VN

SP 284-065, XE Package, Mass Base Variable Torque Option

(November 2016)

Information

Certain VOLVO VN trucks (with VIN numbers loaded to UCHP), have a compatibility issue with the XE Package and Mass Base Variable Torque option. The two options are not compatible with each other and could result in a low power complaint. This current configuration has been blocked so the two options can no longer be ordered together. Accessory kit number 85150890 has been created to remove the Mass Base Variable Torque option from the XE package. Once the kit has been installed, reprogramming of the engine Electronic Control Unit (ECU) is required. Follow the removal and installation instructions outlined in this Service Program (SP).

Required Tools

- Premium Tech Tool version 2.04.87 or higher
- Vocom Diagnostic Connector 88890304
- Communication Interface 88890300

Note: Using other interfaces may affect programming speed.

Note: Check Premium Tech Tool version by clicking on Help tab and then click on "About Tech Tool".

Software Reprogramming Procedure

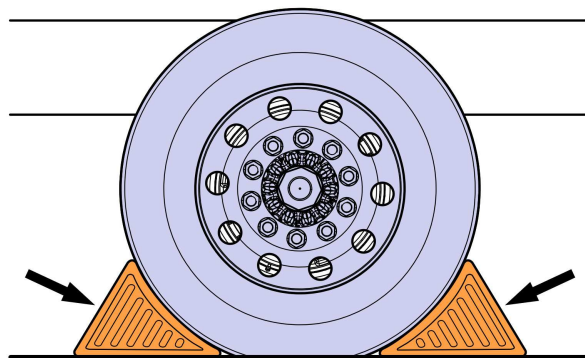
You must read and understand the precautions and guidelines in Service Information, group 20, "General Safety Practices, Engines" before performing this procedure. If you are not properly trained and certified in this procedure, ask your supervisor for training before you perform it.



DANGER

Do not attempt to repair or service this vehicle without having sufficient training, the correct service literature and the proper tools. Failure to follow this could make the vehicle unsafe and lead to serious personal injury or death.

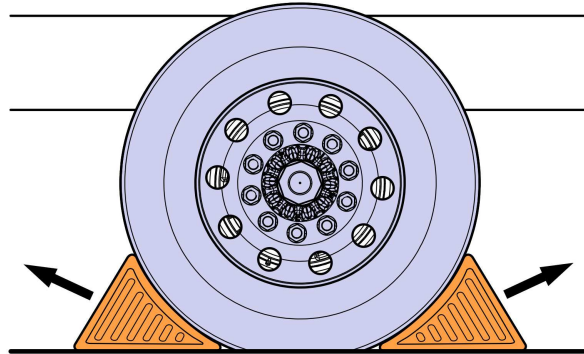
- 1 Park the vehicle on a level surface.
- 2 Apply the parking brake.
- 3 Place the transmission in neutral or park.
- 4 Install the wheel chocks.



W7086748

- 5 Verify Service Program eligibility by checking service program status in VDA.
- 6 Perform accessory kit 85150890.
- 7 Reprogram ECU.
- 8 When the programming is complete, clear any diagnostic trouble codes (DTC's) .

9 Remove the wheel chocks.



W7086759

Reimbursement

This repair is covered by an authorized Service Program. Reimbursement is obtained via the normal claim handling process.	UCHP Reimbursement
Recall Status	
Vehicle inspected, repair not required	1- Inspected OK
Vehicle repaired per instruction	2- Modified per instruction
Labor Code	
Primary Labor Code- Program Engine Electronic Control Unit (EECU)	2840-22-03-01 0.4 hrs
Additional Labor Code- Accessory Kit, Reprogramming	1700-22-03-06 0.1 hrs
Time to take charge and determine campaign status	1700-16-01-01 0.3 hrs
Causal Part	3092091
Parts Disposition	N/A
SCC Code	S7137
Authorization Number	N/A
Expiration Date	01- NOV- 2017

Note: Take Charge Time is not included in the Labor Code for this operation. Take charge may be eligible but can only be used once per repair visit. If vehicle is having other warranty repairs performed, take charge should be charged to the warranty repair, otherwise take charge can be charged to this service program.