

Cab Fairing Brackets, Replacement
 VN

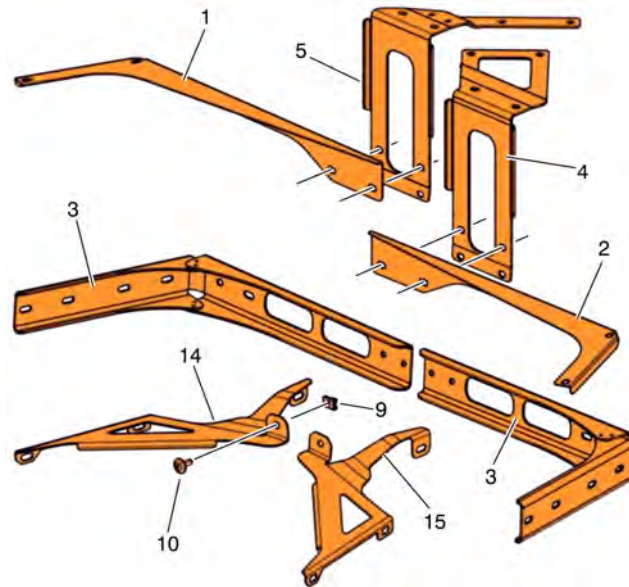
FSB 891-019, Cab Fairing Brackets, Replacement

(September 2016)

VOLVO Trucks has determined that some VN truck models may experience cracked or broken back of cab fairing brackets on vehicles manufactured from 03/12/2012 to 07/12/2016. A more robust design of the back of cab (L1H1) fairing brackets is recommended for replacement of any existing cracked or broken brackets. For proper bracket replacement instructions, follow the replacement procedure outlined in this Field Service Bulletin (FSB).

Service personnel: Please circulate, read and initial

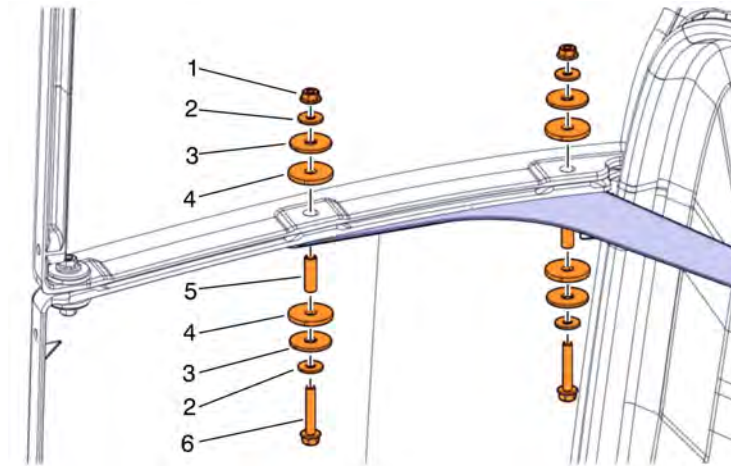
Service Manager	Warranty Administrator	Workshop Foreman	Service Technicians						



W8114631

Required Parts Cab Fairing Brackets, Replacement

Item	Description	Part Number	Qty
1	BRACKET, SIDE DEFLECTOR, LH	84712897	1
2	BRACKET, SIDE DEFLECTOR, RH	84712898	1
3	BRACKET, SIDE AIR DEFLECTOR	84720518	4
4	BRACKET, REAR SUPPORT, RH	84721040	1
5	BRACKET, REAR SUPPORT, LH	84721027	1
6	SIX POINT SOCKET SCREW, M8*30	994804	16
7	WASHER	1675387	4
8	SIX POINT SOCKET SCREW, M8*20	994802	4
9	SPRING NUT, M8 0.8-4	994946	2
10	SIX POINT SOCKET SCREW, M8*25	994803	6
11	FLANGE WASHER, SEALING RING	8142342	12
12	SEALING RING	8142340	12
13	FASTENER KIT	82720067	1
14	BRACKET, FAIRING, LOWER SIDE, LH	82735780	1
15	BRACKET, FAIRING, LOWER SIDE, RH	82736573	1



W8114449

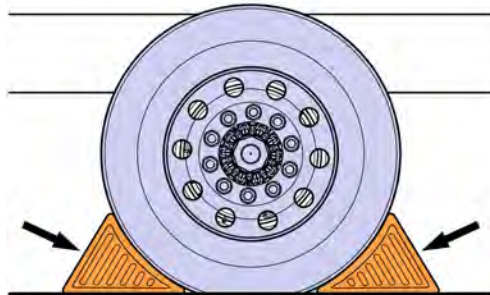
Fastener Kit 82720067 Installation Order		
1	NUT	2
2	SMALL WASHERS	4
3	LARGE WASHERS	4
4	RUBBER WASHERS	4
5	TUBE	2
6	SCREW	2

Decommissioning the Truck for Repair

You must read and understand the precautions and guidelines in Service Information, group 80, "General Safety Practices, Body, Cab & Interior" before performing this procedure. If you are not properly trained and certified in this procedure, ask your supervisor for training before you perform it.

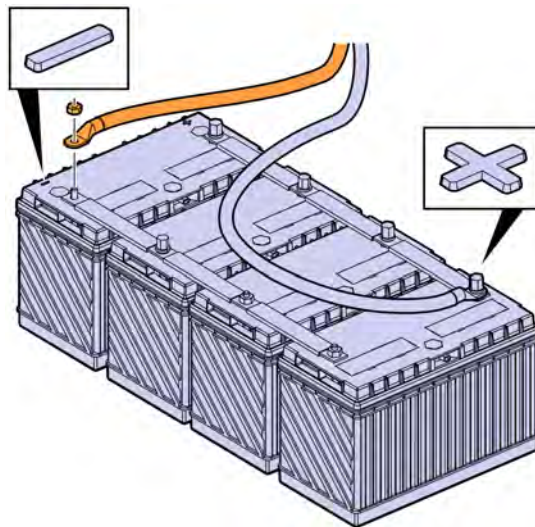
NOTE: Information is subject to change without notice. Illustrations are used for reference only and can differ slightly from the actual vehicle being serviced. However, key components addressed in this information are represented as accurately as possible.

- 1 Park the vehicle on a flat and level surface.
- 2 Apply the parking brake.
- 3 Place the transmission in neutral or park.
- 4 Install the wheel chocks on the front wheels.



W7086748

- 5 Disconnect the cable from the battery's negative terminal.

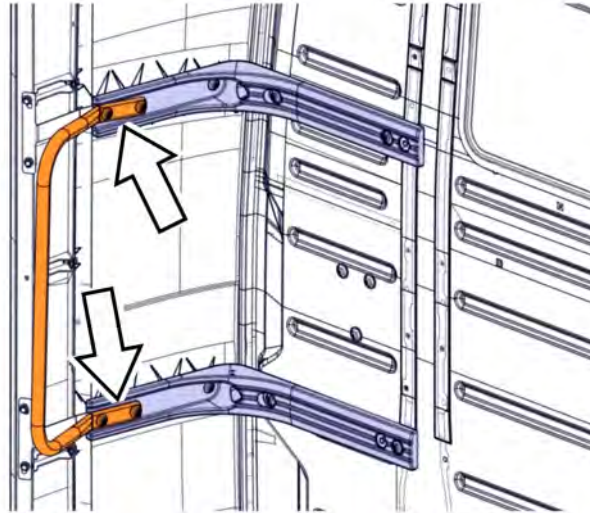


W3086747

Cab Fairing Brackets, Replacement

- 1 Remove the fasteners and grab handle from the side air deflector.

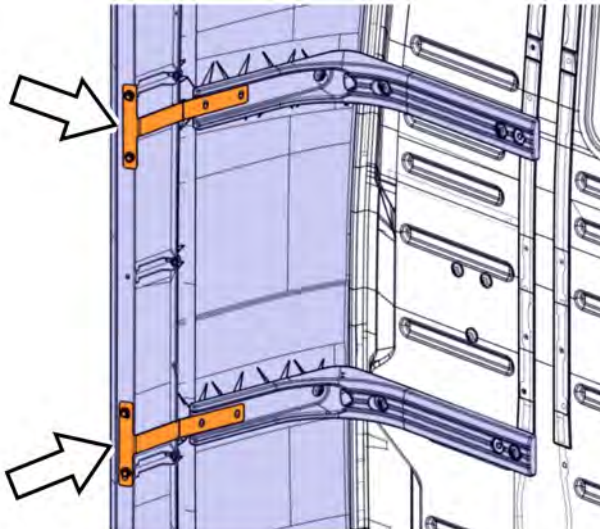
Note: Store the grab handle and fasteners for reuse.



W8114226

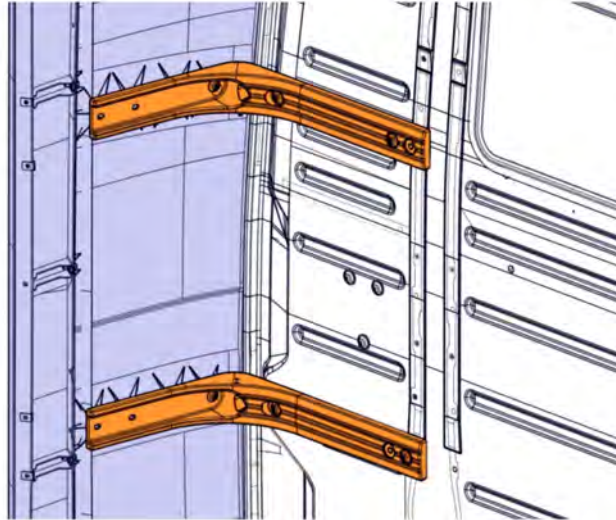
- 2 Remove the **Left** deflector extender "T" brackets and fasteners.

Note: Store the deflector extender "T" brackets and fasteners for reuse.



W8114227

- 3 Remove the composite **Left** cab extender brackets.

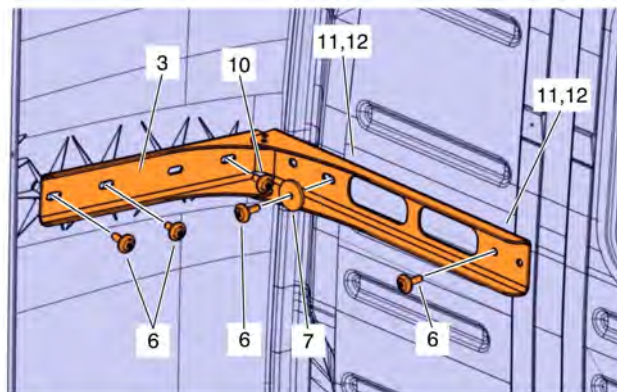


W8114228

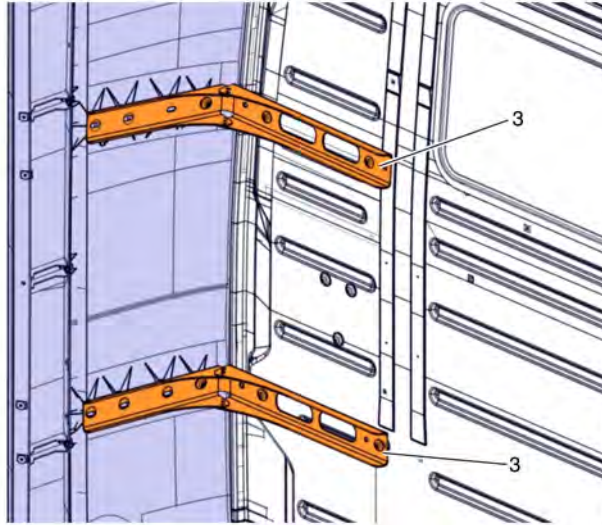
- 4 Install the metal **Left** extender replacement brackets (3) and fasteners.

Note: See the figures below for hardware location.

- 5 Tighten the fasteners to 24 ± 4 Nm (18 ± 2 ft-lb).

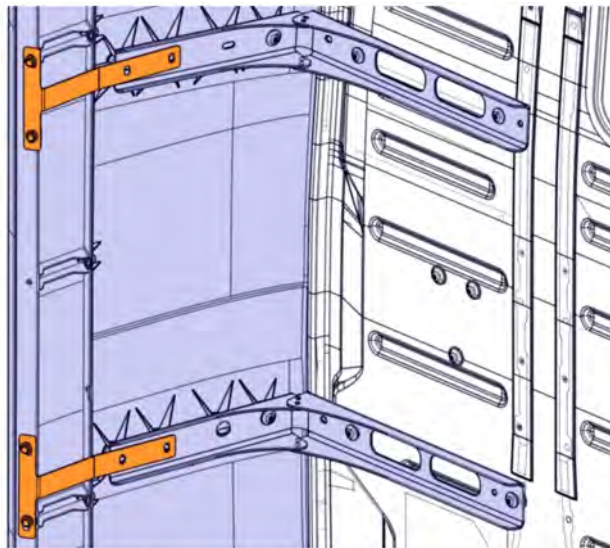


W8114450



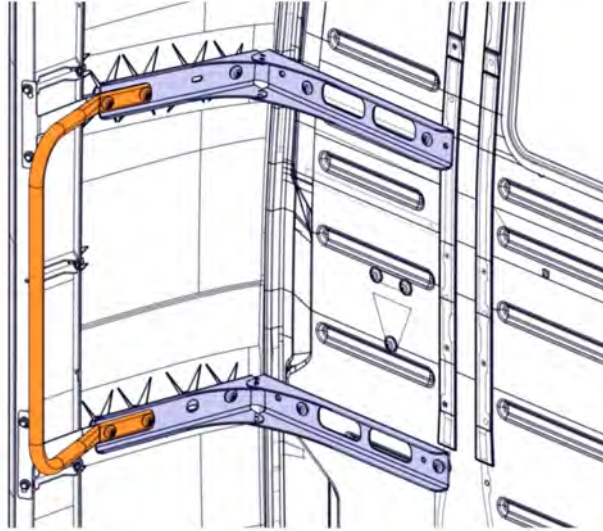
W8114229

- 6 Install the stored **Left** deflector extender "T" brackets and fasteners.
- 7 Tighten the fasteners to 24 ± 4 Nm (18 ± 2 ft-lb) and 10 ± 1.5 Nm (7 ± 1 ft-lb).



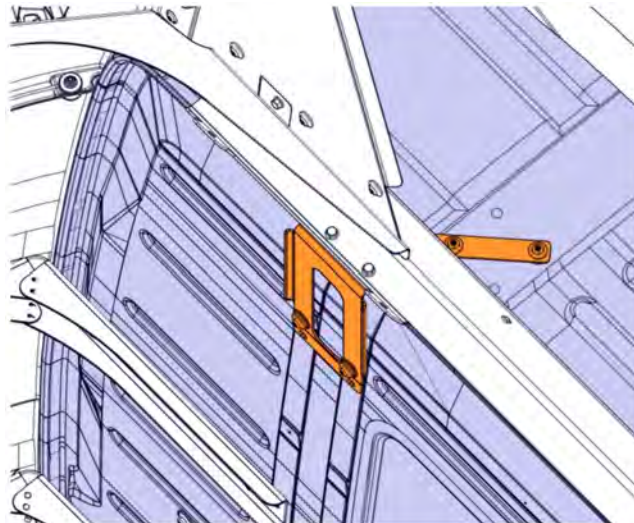
W8114230

- 8 Install the stored grab handle and fasteners.
- 9 Tighten the fasteners to 24 ± 4 Nm (18 ± 2 ft-lb).



W8114231

- 10 Remove the **Left** upper air deflector support bracket.

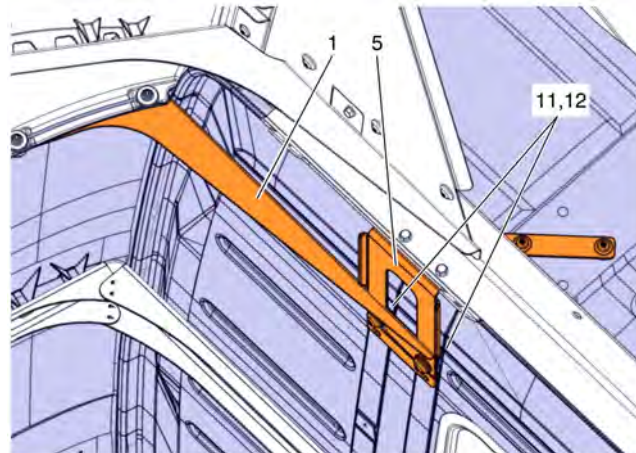


W8114232

11 Install the **Left** upper air deflector support bracket with the two replacement brackets (1 and 5) shown.

Note: See required parts section for fastener kit installation instructions.

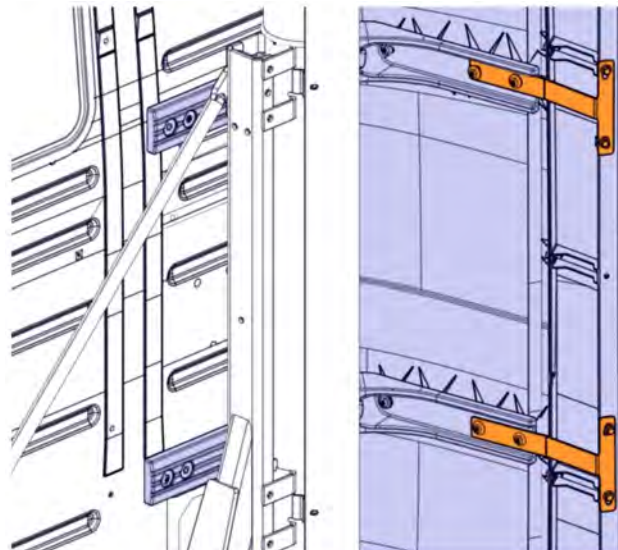
12 Tighten the fasteners to 24 ± 4 Nm (18 ± 2 ft-lb).



W8114233

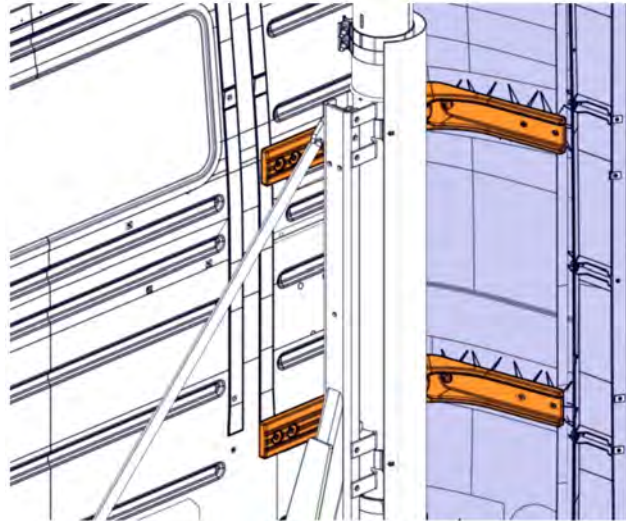
13 Remove the **Right** deflector extender "T" brackets and fasteners.

Note: Store the deflector extender "T" brackets and fasteners for reuse.



W8114234

14 Remove the composite **Right** side cab extender brackets and fasteners.

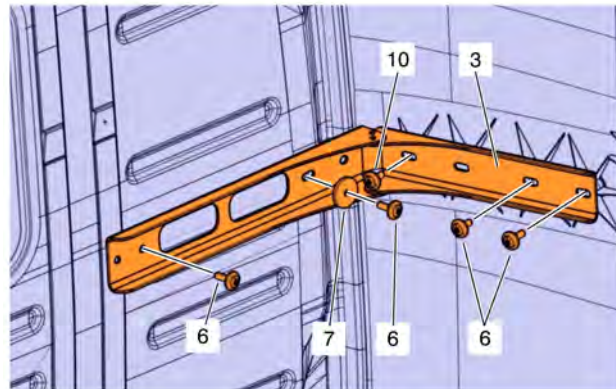


W8114235

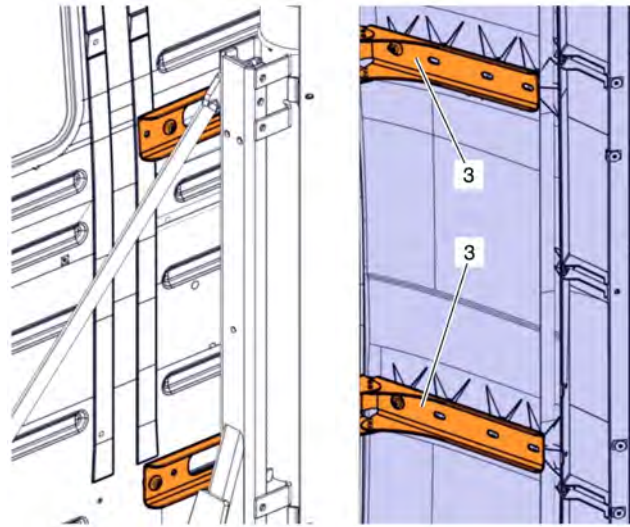
15 Install the metal **Right** side cab extender replacement brackets (3) and fasteners.

Note: See the figures below for hardware locations.

16 Tighten the fasteners to 24 ± 4 Nm (18 ± 2 ft-lb).



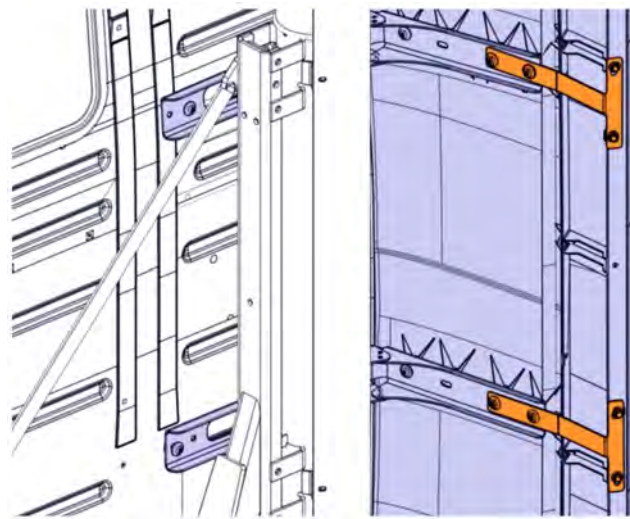
W8114451



W8114236

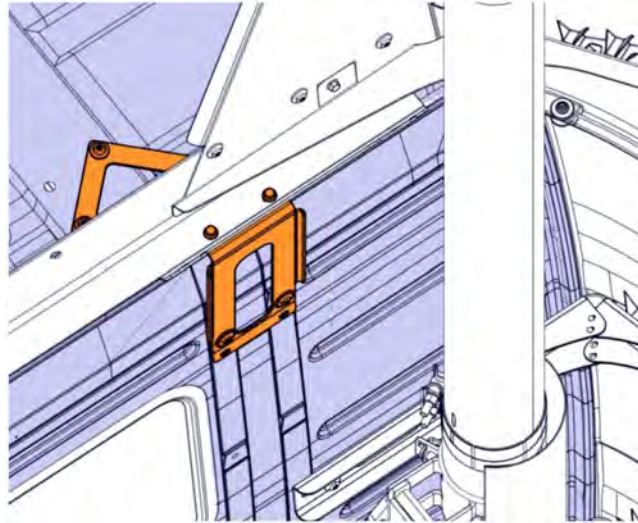
17 Install the stored **Right** deflector extender “T” brackets and fasteners.

18 Tighten the fasteners to 24 ± 4 Nm (18 ± 2 ft-lb) and 10 ± 1.5 Nm (7 ± 1 ft-lb).



W8114237

19 Remove **Right** upper air deflector support bracket and fasteners.

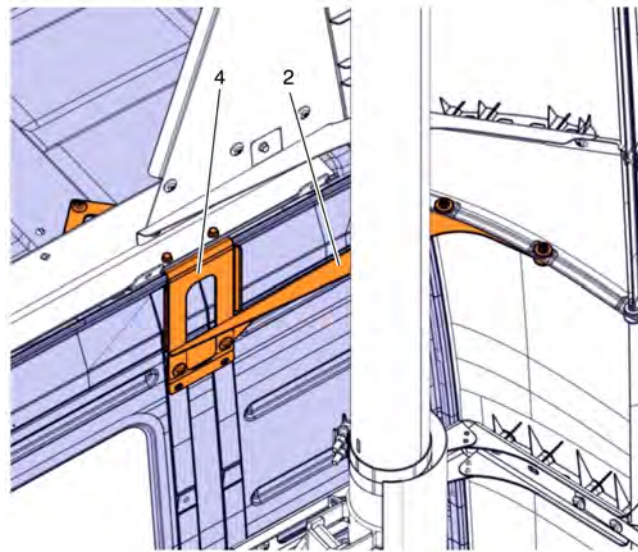


W8114238

20 Install the **Right** upper air deflector support bracket with the two replacement brackets (2 and 4) and fasteners as shown.

Note: See required parts section for fastener kit installation instructions.

21 Tighten the fasteners to 24 ± 4 Nm (18 ± 2 ft-lb).

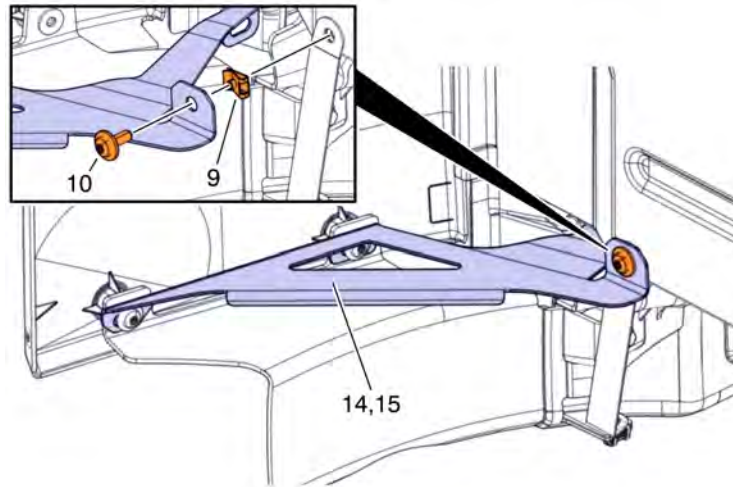


W8114239

22 Replace lower fairing brackets (14 and 15), install spring nut (9) and fastener (10) on lower brackets (LH and RH sides) as shown in the figure below.

Note: Left side shown for assembly purposes.

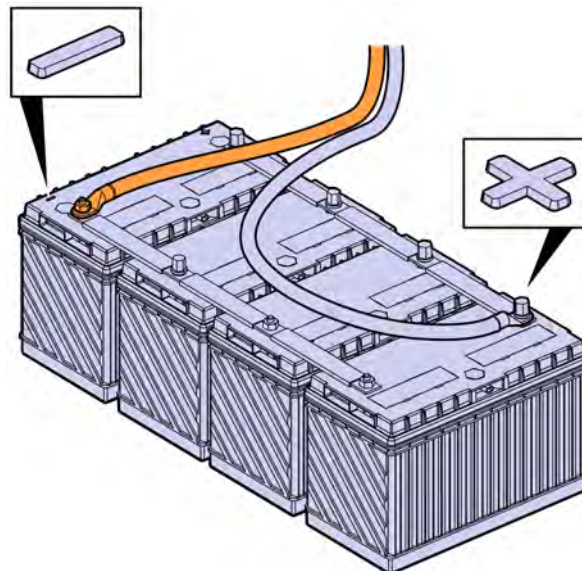
23 Tighten the fasteners to 24 ± 4 Nm (18 ± 2 ft-lb).



W8114452

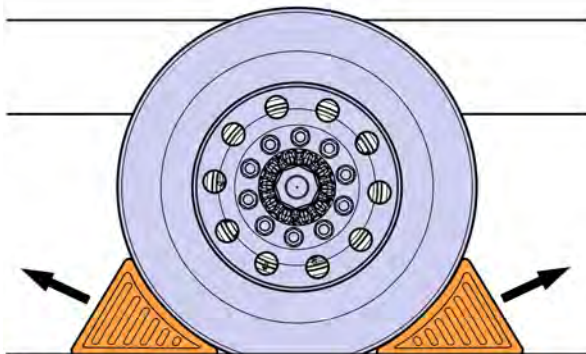
Commissioning the Truck for Operation

1 Connect the battery cable to the negative (ground) terminal.



W3086758

2 Remove the wheel chocks.



W7086759

Reimbursement

<p>This repair may be eligible for reimbursement if a product failure was experienced within time and mileage limits of the applicable Warranty coverage. Reimbursement is obtained via the normal claim handling process.</p>	<p>UCHP Reimbursement</p>
<p>Claim Type (used only when uploading from the Dealer Bus. Sys.)</p>	<p>W</p>
<p>Labor Code</p>	<p style="background-color: #cccccc;"></p>
<p>Primary Labor Code (Cab Fairing Brackets, Replacement)</p>	<p>8910-03-09-01 0.7 hrs.</p>
<p>Causal Part</p>	<p>82728020</p>

VOLVO Trucks North America reserves the right to make any changes in design or to make additions to or upon its products without incurring any obligations to install the same on vehicles previously built.