

This Field Service Bulletin (FSB) replaces, "PV729-FSB514-001\_V, Brake S-Cam, Replacement" (USA76032) dated (06.2016).

**Brake S-Cam, Replacement  
 (Steer Axle)  
 VN**

**FSB 514-001, Brake S-Cam, Replacement**

**(July 2016)**

Some VOLVO VN trucks built after 05/13/2013, equipped with Bendix Brake S-Cams on the steer axle may require replacement to reduce or eliminate brake noise during braking. The replacement procedure includes installation of a new tuned brake S-Cam shaft, spring & roller kit, and seal & shim kit. Follow the S-Cam replacement procedure outlined in this Field Service Bulletin (FSB).

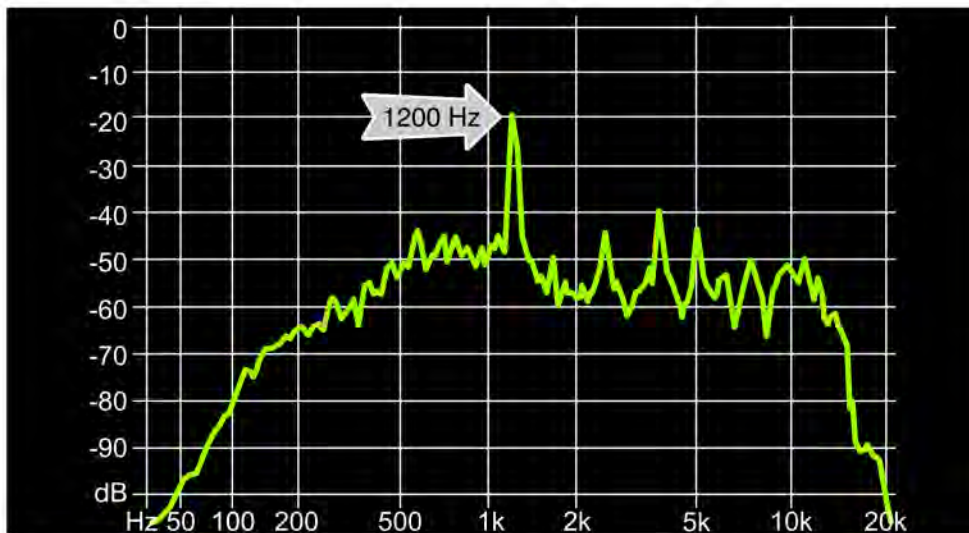
Service personnel: Please circulate, read and initial

Service Manager	Warranty Administrator	Workshop Foreman	Service Technicians						

## Bendix Tuned S-Cam Description

**Note:** The Bendix Tuned S-Cam shaft is “**Only**” designed to reduce/or eliminate brake noise heard within the 1200 to 1500 Hertz frequency range. Submission of a video or audio file with the tech support case will assist in the diagnosis of any brake noise concern.

The Bendix Tuned S-Cam is designed to reduce and/or eliminate brake noise heard within the 1200-1500 Hertz frequency range. Although the tuned S-Cam may help reduce brake noise heard in other frequency ranges, it is only designed to effectively reduce the noise range between 1200-1500 Hz. Proper installation and clearance of the Bendix tuned S-Cam is very important. To ensure the best results in noise reduction follow all steps within this FSB. Below is an example Hertz graph of the Bendix brake noise.



W5112306

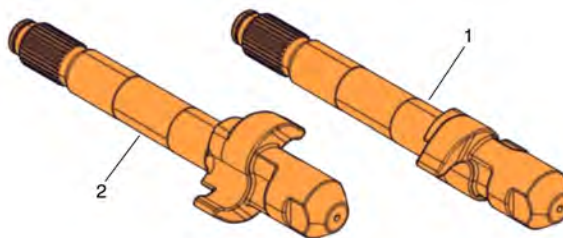
## Verifying Noise

A Tech Support/E-Service case will need to be submitted to verify that the Bendix brake noise is within the Frequency Range that the new tuned S-Cam is designed to correct. To verify the Bendix brake noise the truck may need to be test driven and the front steer axle brakes heated up to 300° Fahrenheit then let cool to 150° Fahrenheit. Most Bendix brake noise complaints can be duplicated after brakes are heat cycled and then test driven using 15-25 psi brake applications. Tech Support may ask that a video or sound file be taken and uploaded to the case for verification. A valid Tech Support/E-Service case number will be needed when ordering parts.

## Parts Ordering

To schedule parts orders and repairs, please call (877) 986-5862 with a valid Tech Support/E-Service case number and Vehicle Identification Number (VIN) of the vehicle in need of this repair.

**Note:** Example Tech Support/E-Service Case Number ( 1-XXXXXXXXXX).



W5111924

### Required Parts (Brake S-Cam, Replacement)

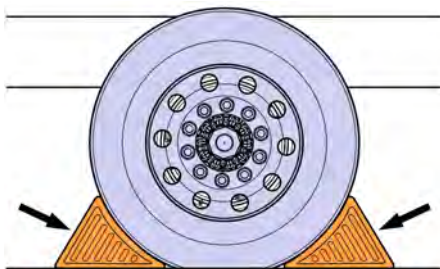
Item	Description	Part Number	Qty
1	Camshaft, Tuned Mass, CW, 10SPLINE	85150135	1
2	Camshaft, Tuned Mass, CCW, 10SPLINE	85150134	1
3	Spring Kit	BW K061669	2
4	Seal & Shim kit	3916143	1

### Decommissioning the Truck for Repair

You must read and understand the precautions and guidelines in Service Information, group 50, "General Safety Practices, Brakes" before performing this procedure. If you are not properly trained and certified in this procedure, ask your supervisor for training before you perform it.

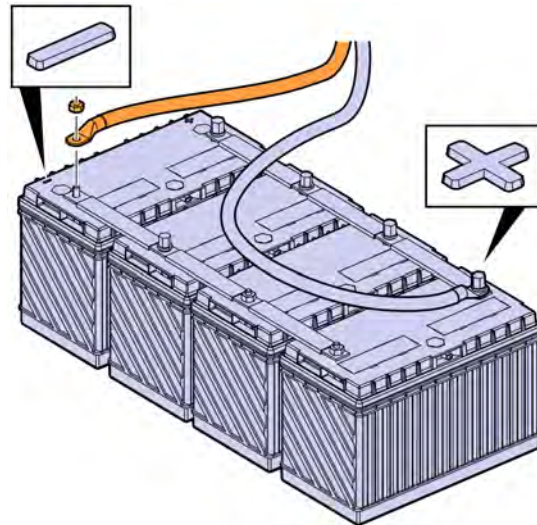
**NOTE:** Information is subject to change without notice. Illustrations are used for reference only and can differ slightly from the actual vehicle being serviced. However, key components addressed in this information are represented as accurately as possible.

- 1 Park the vehicle on a flat and level surface.
- 2 Apply the parking brake.
- 3 Place the transmission in neutral or park.
- 4 Install the wheel chocks.



W7086748

- 5 Disconnect the cable from the battery's negative terminal.



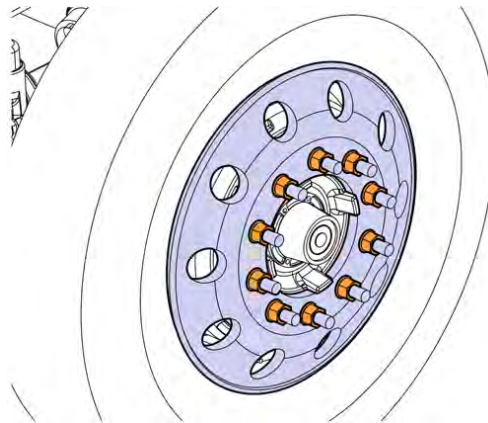
W3086747

## Brake S-Cam Removal

**Note:** The left side is shown for instructional purposes.

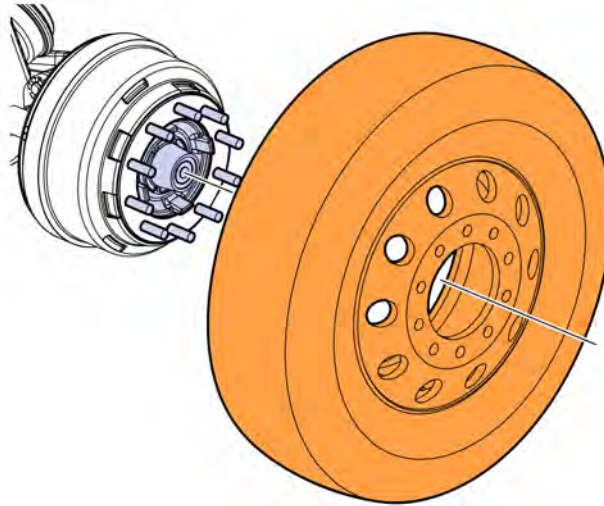
- 1 Lift the steer axle with a jack, place the truck on jack stands, and remove the jack.
- 2 Remove the wheel nuts.

**Note:** Before removing the wheel, mark the end of one wheel stud with a paint marker and mark the wheel at the stud to ensure the wheel is reinstalled in the same position.



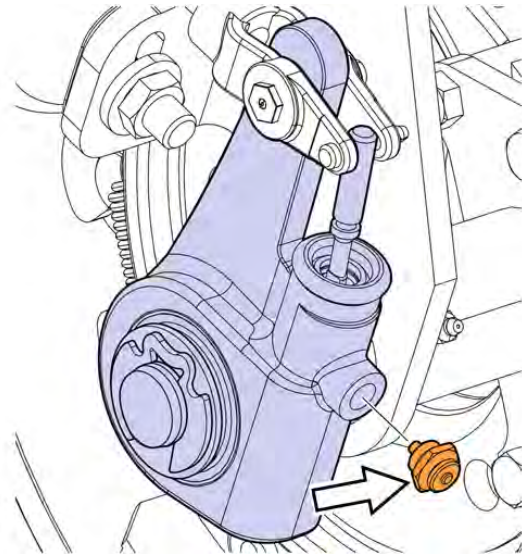
W5111900

- 3 Remove the wheel.



W5111901

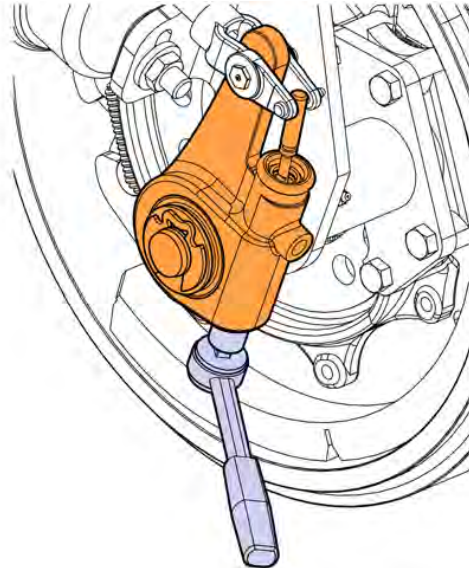
- 4 With the wheel removed, match mark the drum to the wheel stud to ensure the drum can be reinstalled in the same position.
- 5 Mark the brake shoes to ensure they can be reinstalled in the same position (top or bottom).
- 6 If applicable, remove the slack adjuster pawl.



W5111903

- 7 Back off of the brake (slack adjuster).

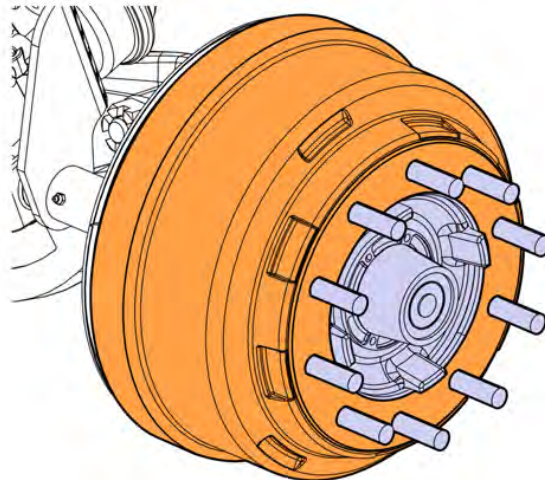
**Note:** The Meritor slack adjuster is shown in this procedure for backing off the brakes. However, this procedure is similar for other brands.



W5111904

- 8 Remove the brake drum.

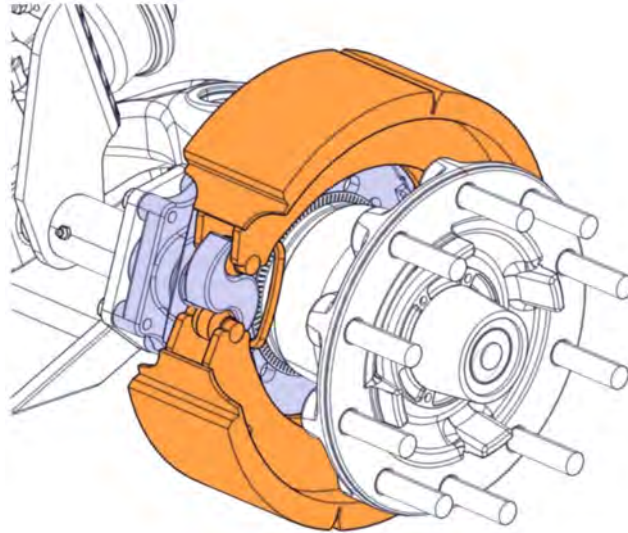
**Note:** Clean the brake drum of any dust or debris and store for installation.



W5111905

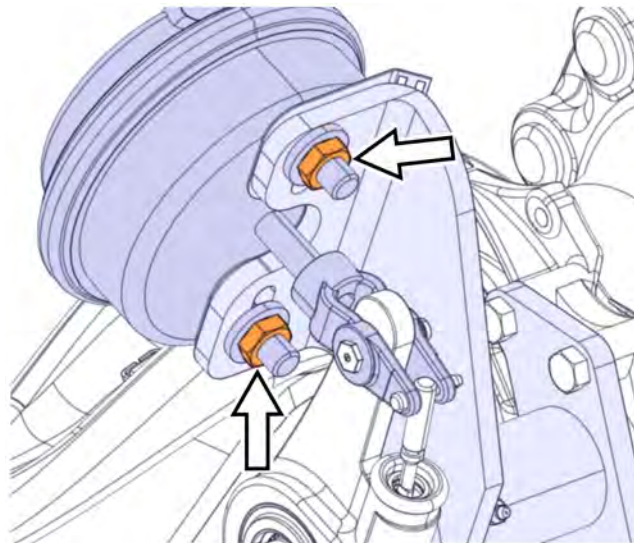
9 Remove the brake shoes, brake springs, and rollers.

**Note:** Clean the brake shoes of any dust or debris and store for installation.



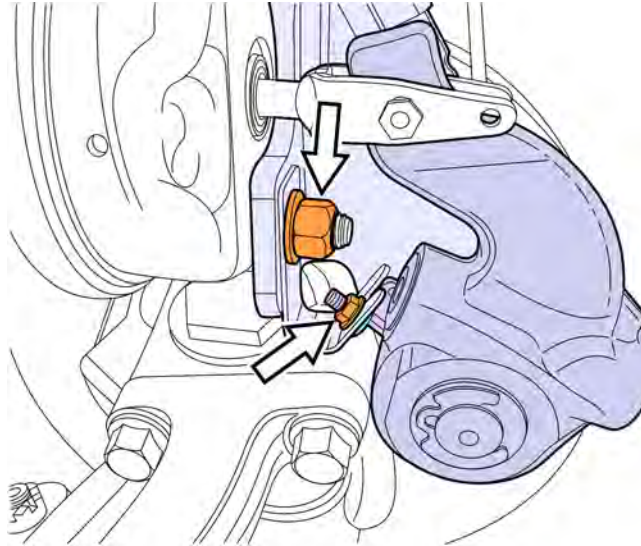
W5111906

10 Loosen the two nuts securing the brake chamber to the cam tube mounting bracket.



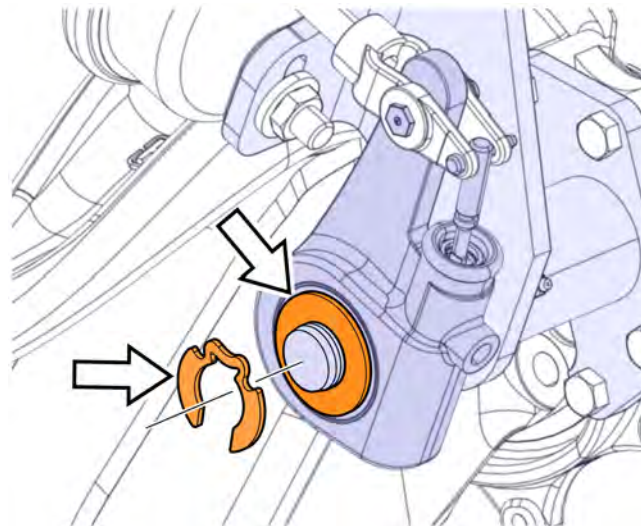
W5111907

11 For Haldex slack adjusters, remove the fasteners securing the slack adjuster to the cam tube mounting bracket.



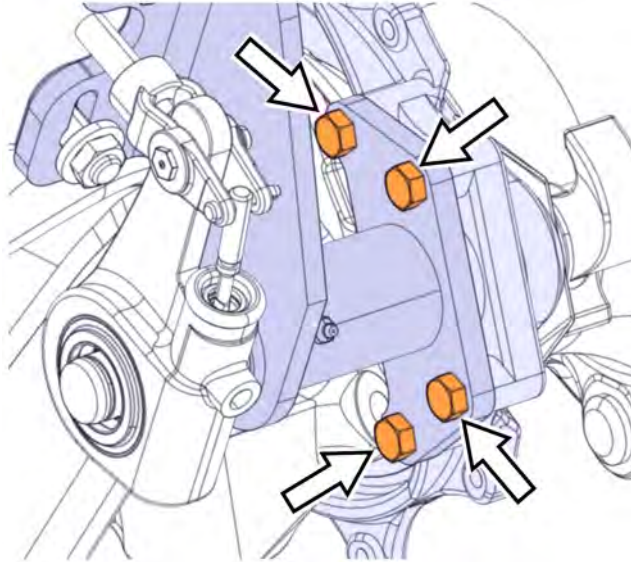
W5111908

12 Remove the snap ring and washers securing the slack adjuster to the brake S-Cam.



W5111909

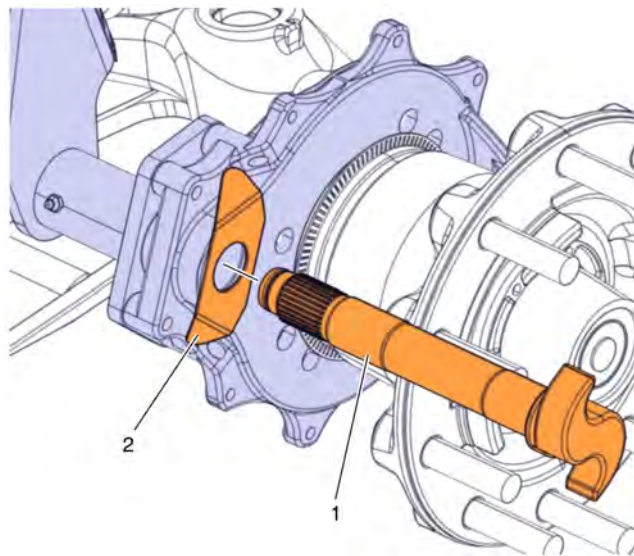
13 Remove the four nuts and washers securing the cam tube to the brake spider.



W5111910

14 Remove the brake S-Cam by pulling the S-Cam clear of the cam tube and brake spider.

**Note:** Remove brake S-Cam head washer (2) from the removed S-Cam (1). Clean the head washer and store it for reuse.



W5111911

15 Follow steps 2 through 14 for the right side of the truck.

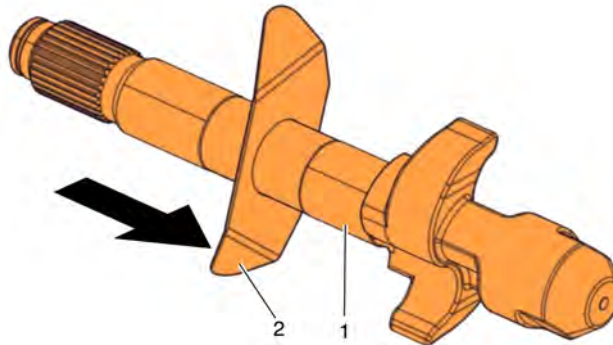
## Brake S-Cam Installation

**Note:** The left side is shown for instructional purposes.

- 1 Inspect the cam tube. Ensure the grease seals and bushing are good.

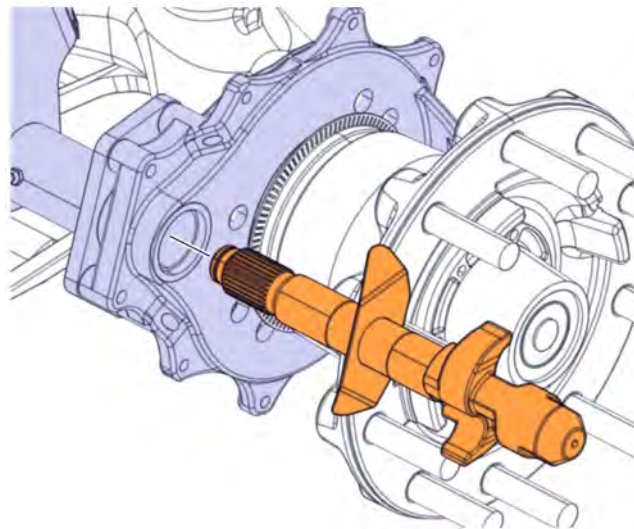
**Note:** Replace the grease seals and/or bushings if needed.

- 2 Retrieve the stored S-Cam head washer (2) and install it on the replacement S-Cam (1) in the proper direction.



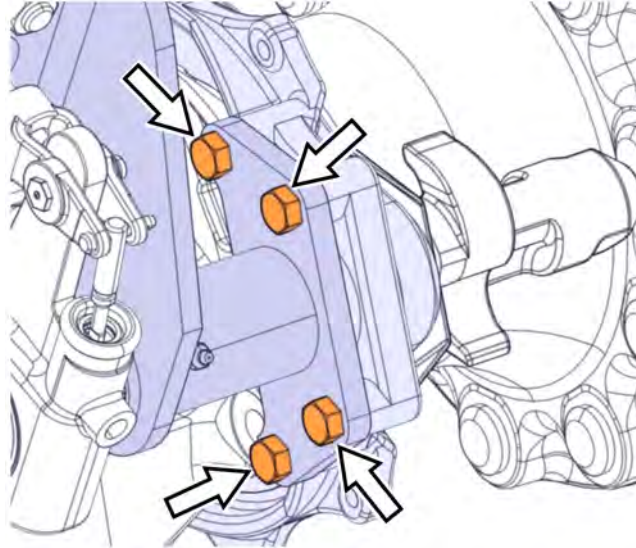
W5111912

- 3 Lube the replacement S-Cam before installing it in the cam tube.
- 4 Position the S-Cam in the cam tube and slide it into the brake spider.



W5111913

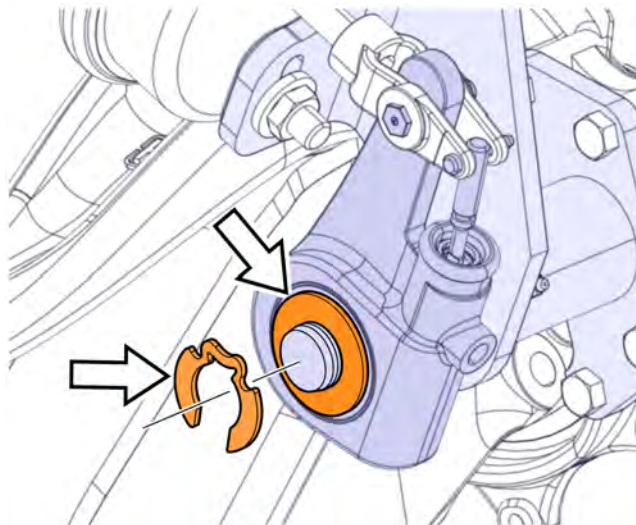
- 5 Install the four nuts securing the cam-tube and brake S-Cam to the brake spider.
- 6 Tighten the four nuts to 75 ft-lbs (102 N m).



W5111914

- 7 Properly position the slack adjuster on the replacement S-Cam.
- 8 Install the shim washer on the S-Cam, slack adjuster, and shim S-Cam to set the lateral end play 0.127 – 0.635 mm (.005-.025 in).
- 9 Install the E-clip.

**Note:** Ensure the E-clip is in the groove at the end of the S-Cam.



W5111909

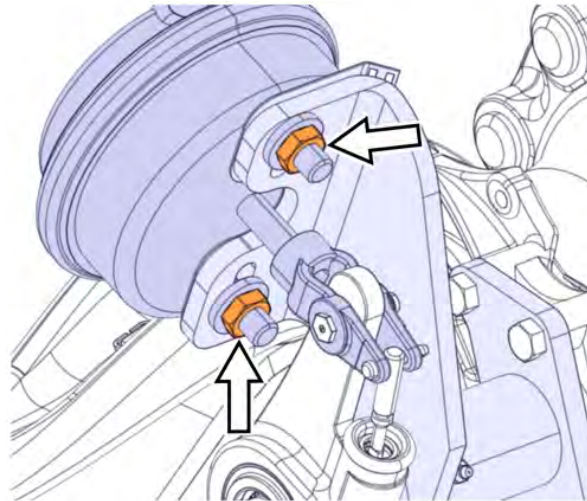
10 Measure the cam bushing play.

**Note:** The maximum S-Cam bushing vertical end play permitted is (0.035 in).

11 Tighten the two nuts securing the brake chamber to the cam tube mounting bracket.

**Note:** On the first pass, tighten the two nuts to 34 Nm (25 ft-lb).

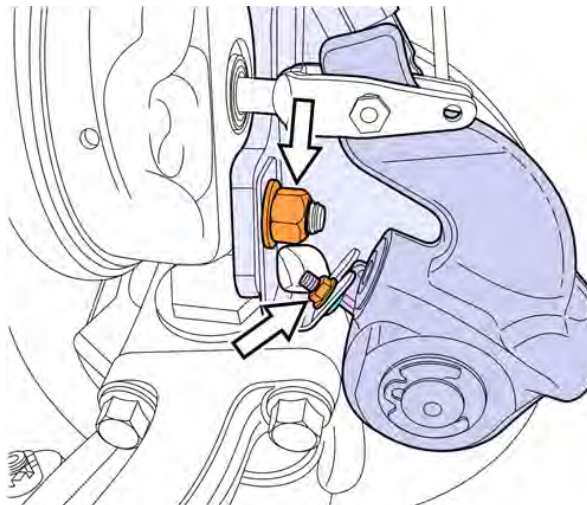
**Note:** On the second pass, tighten the two nuts to 180 – 210 Nm (133 – 154 ft-lb).



W5111907

12 For Haldex slack adjusters, install the fasteners securing the slack adjuster to the cam tube bracket.

13 Tighten the slack mounting strap fastener to 11 – 16 Nm (8 – 12 ft-lb).



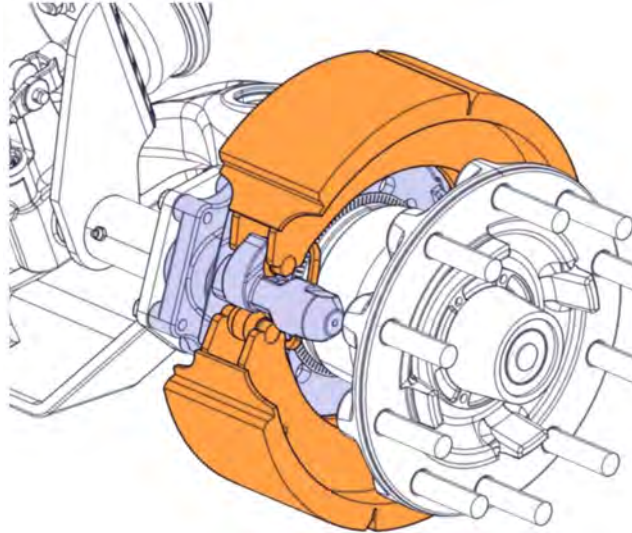
W5111908

14 Using a grease gun, grease the cam tube and slack adjuster until they purge.

**Note:** Ensure the grease seal at the S-Cam head does not leak. If it does leak, replace the seal.

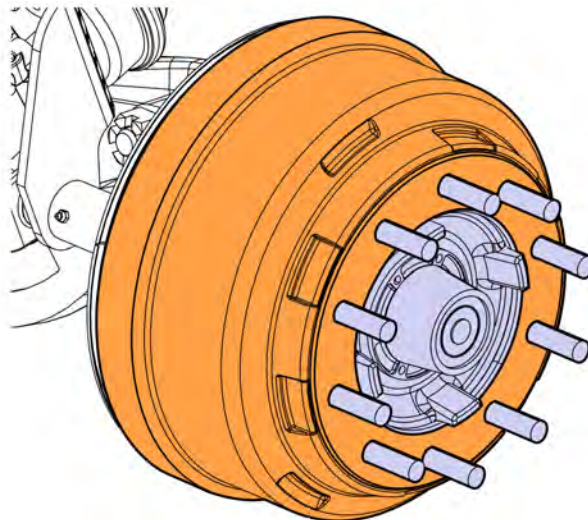
15 Pre-lube the rollers and anchor pin pockets on the brakes before installing brake shoes.

16 Install the brake shoes, springs and rollers in the same position (top or bottom) as previously recorded.



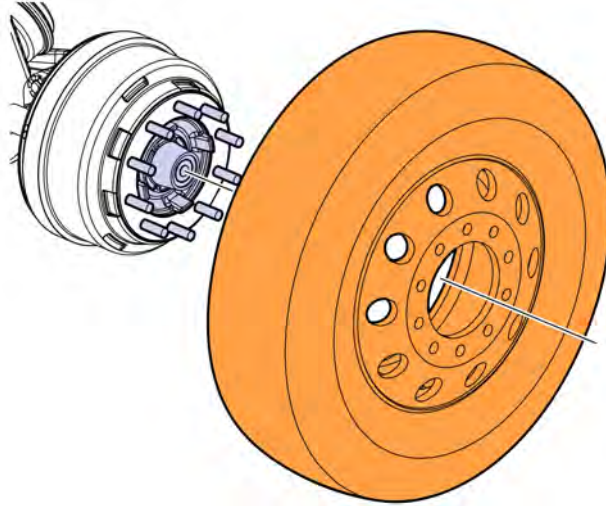
W5111915

17 Install the brake drum as previously recorded on the drum and wheel stud during the removal procedure.



W5111905

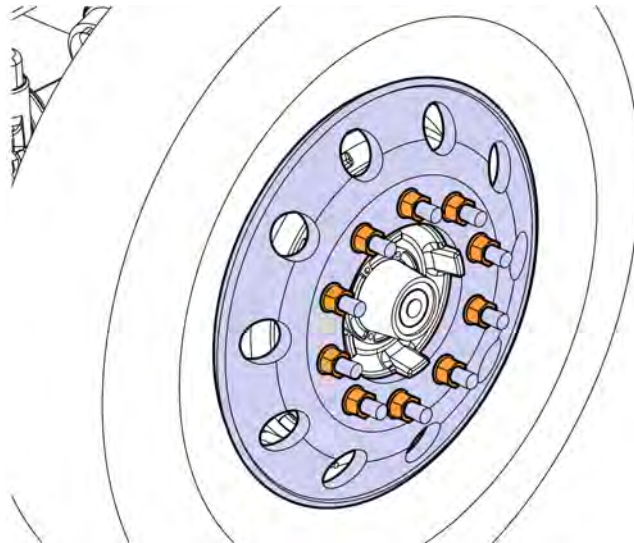
18 Install the wheel using the reference marks made on the wheel and the wheel stud during the removal procedure.



W5111901

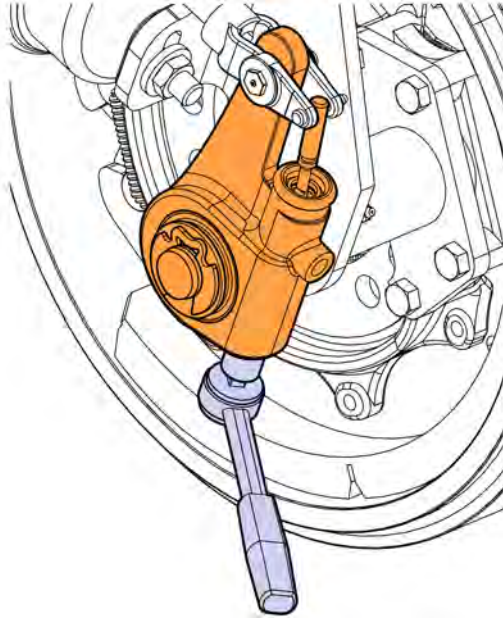
19 Install the wheel nuts.

20 Tighten the wheel nuts to 610 Nm (450 ft-lb).



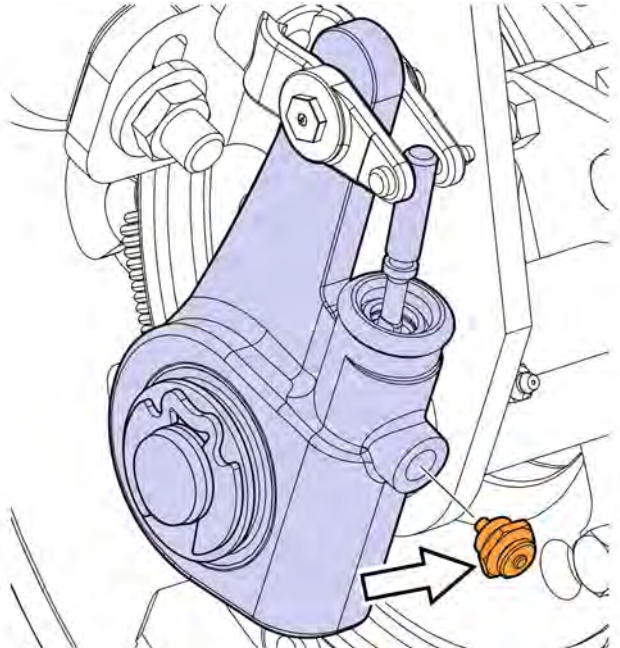
W5111900

21 Adjust the brake as recommended per (slack adjuster) manufacturer.



W5111904

22 If applicable, install the slack adjuster pawl.



W5111903

23 After brake the adjustment, rotate the wheel and ensure the brake is not dragging or the drum is not out of round.

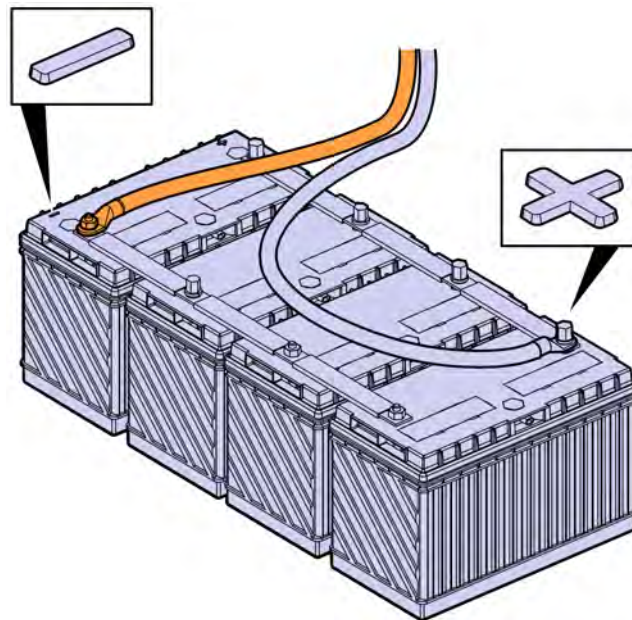
24 Repeat steps 1 through 21 for the right side of the truck.

25 Lift the steer axle with a jack, remove the jack stands, and lower the axle.

26 Go to Commissioning the Truck for Operation.

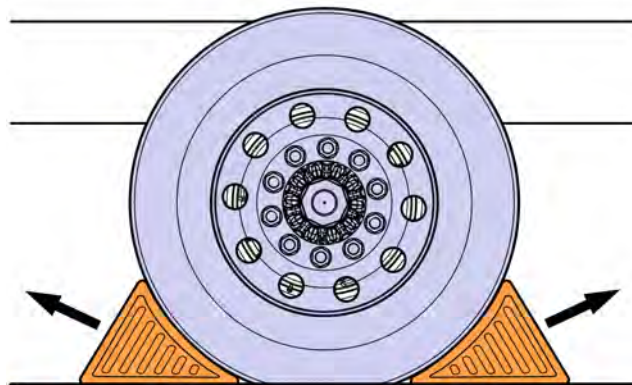
## **Commissioning the Truck for Operation**

1 Connect the battery cable to the negative (ground) terminal.



W3086758

2 Remove the wheel chocks.



W7086759

**Reimbursement**

<b>This repair may be eligible for reimbursement if a product failure was experienced within time and mileage limits of the applicable Warranty coverage. Reimbursement is obtained via the normal claim handling process.</b>	<b>UCHP Reimbursement</b>
<b>Claim Type (used only when uploading from the Dealer Bus. Sys.)</b>	W
<b>Labor Code</b>	
Primary Labor Code (Brake S-Cam, Replacement)	5143-03-09-01 3.0 hrs.
<b>Causal Part</b>	85137267

VOLVO Trucks North America reserves the right to make any changes in design or to make additions to or upon its products without incurring any obligations to install the same on vehicles previously built.