



# Technical Journal

TITLE:

**Air outlet on rear center console, out of position**

|  |   |  |                                   |
|--|---|--|-----------------------------------|
| <b>REF NO:</b><br>TJ 31491.1.0             | <b>ISSUING DEPARTMENT:</b><br>Technical Service | <b>CAR MARKET:</b><br>United States and Canada |                                   |
| <b>PARTNER:</b><br>3 US 7510 Volvo Car USA |   | <b>ISSUE DATE:</b><br>2016-07-19               | <b>STATUS DATE:</b><br>2016-07-25 |
| <b>FUNC GROUP:</b><br>8722                 | <b>FUNC DESC:</b><br>Outlet                     | Page 1 of 10                                   |                                   |

“Right first time in Time”

## Attachment

| File Name            | File Size |
|----------------------|-----------|
| TJ 31491.pdf         | 0.2959 MB |
| TJ 31491 service.pdf | 2.4411 MB |

## Vehicle Type

| Type | Eng | Eng Desc | Sales | Body | Gear | Steer | Model Year | Plant | Chassis range   | Struc Week Range |
|------|-----|----------|-------|------|------|-------|------------|-------|-----------------|------------------|
| 256  |     |          |       |      |      |       | 2016-2016  |       | 0000561-0092715 | 201605-201615    |

## CSC Customer Symptom Codes

| Code | Description                            |
|------|--|
| SZ   | Air vents/Air vent adjustment problems |

## VST Operation Number

| VST Operation Number | Description   |
|----------------------|---|
| 98568-2              | Floor console ventilation nozzle adjust acc. to TJ31491 |

## DTC Diagnostic Trouble Codes

## Text

**DESCRIPTION:**

If the air outlet on rear center console comes loose (see picture "TJ 31491.pdf") follow the instructions under "Service". It can be noticed by the air adjustment wheels are hard to turn or by a gap above the air outlet.

**SERVICE:**

Add tape, p/n 30643492 according to repair method "TJ 31491 service.pdf".

**VEHICLE REPORT:**

Yes, please submit a Vehicle Report if the service solution described in this TJ has no effect. Use concern area "Vehicle Report" and sub concern area "Support not needed", use function group 8722.

**To view TJ attachment continue to next page. This TJ has two attachments.**



TJ 31491



## Volvo Car Customer Service

TJ 31491

|               |                     |                          |         |
|---------------|---------------------|--------------------------|---------|
| <b>Title</b>  | Floor console vents | <b>Page</b>              | 1 (7)   |
| <b>Action</b> | Product fix         | <b>Operation number:</b> | 98568-2 |

### Affected vehicles

| Model year | Model      |
|------------|------------|
| 2016       | XC90 (16-) |

### Materials

| Materials | Qty. | Part No. | Notes |
|-----------|------|----------|-------|
| Tape      | 2.0  | 30643492 |       |

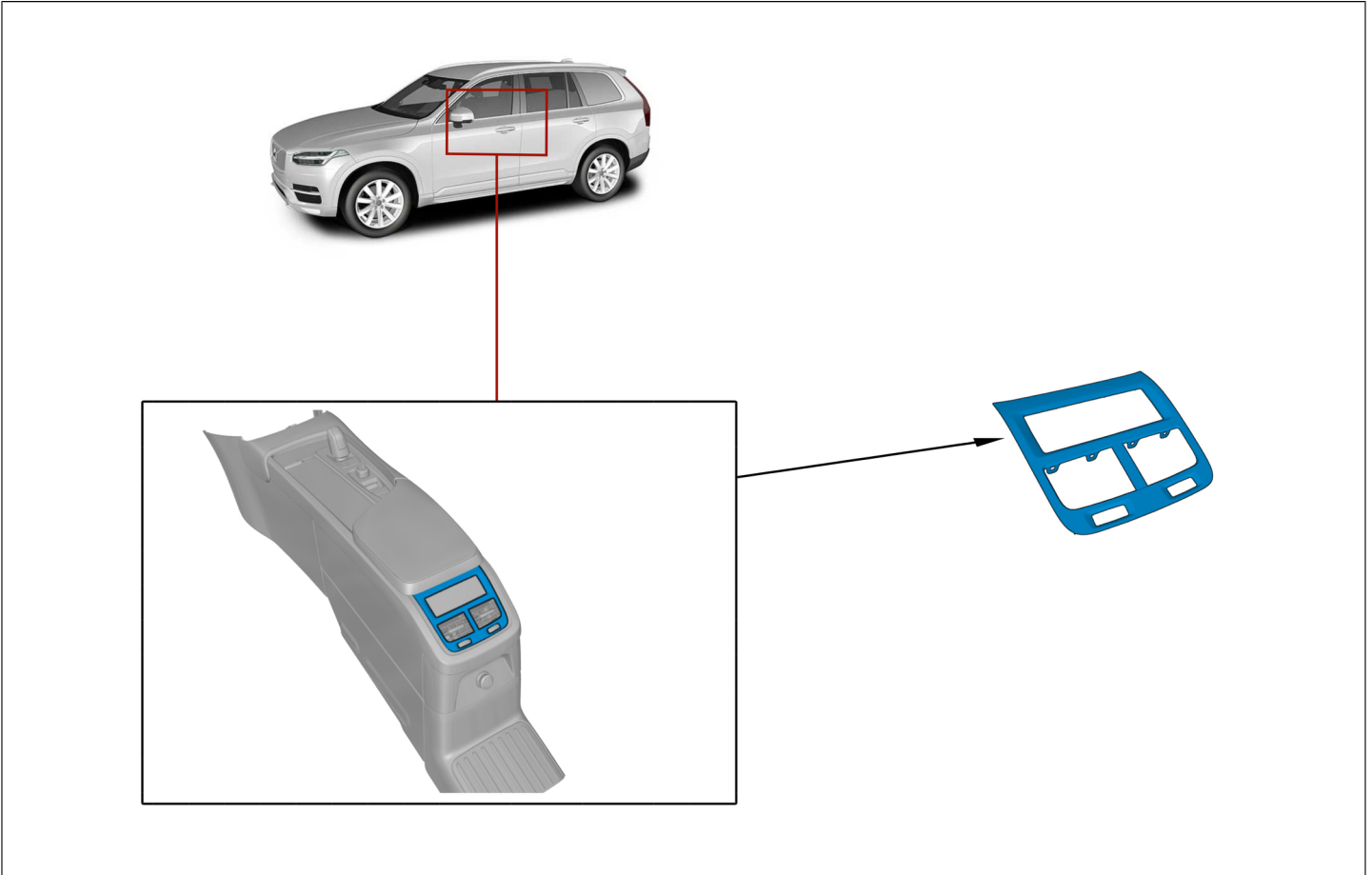
### Equipment

| Designation           | Part No. |
|-----------------------|----------|
| Interior trim remover |          |

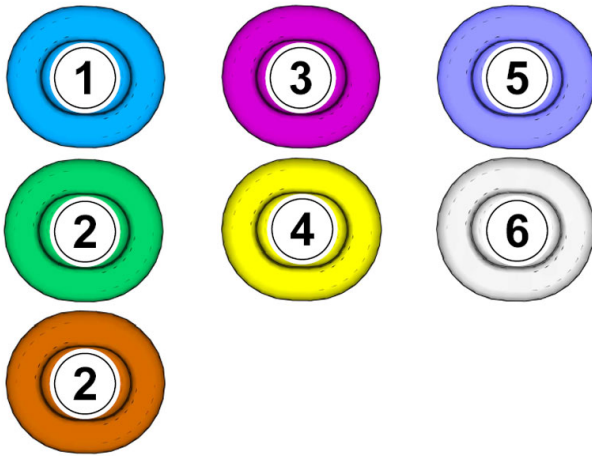
**Removal**

**Note! Removal steps in this procedure may contain installation details.**

**Orientation view**

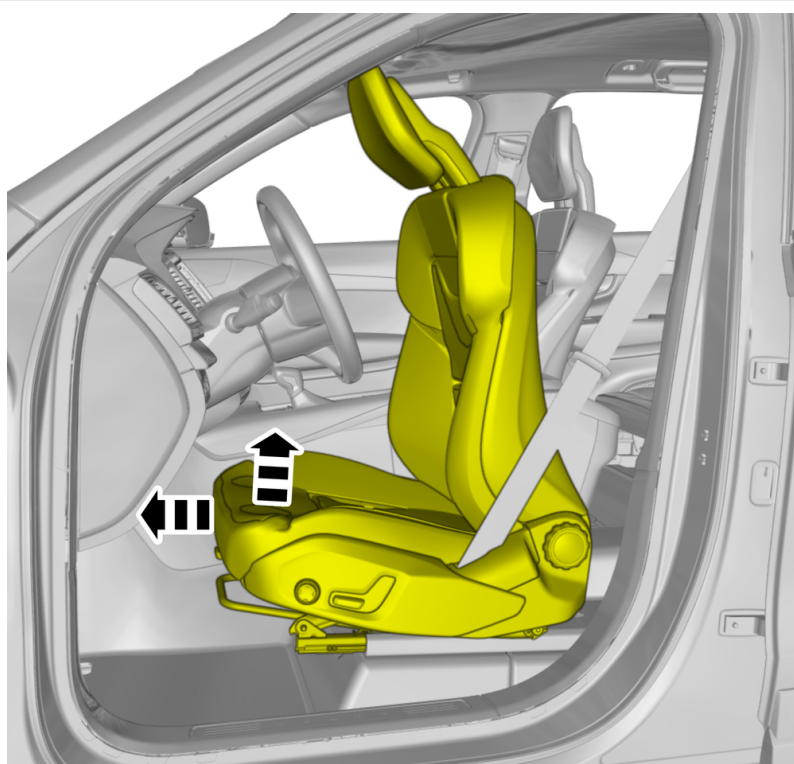


### Color symbols

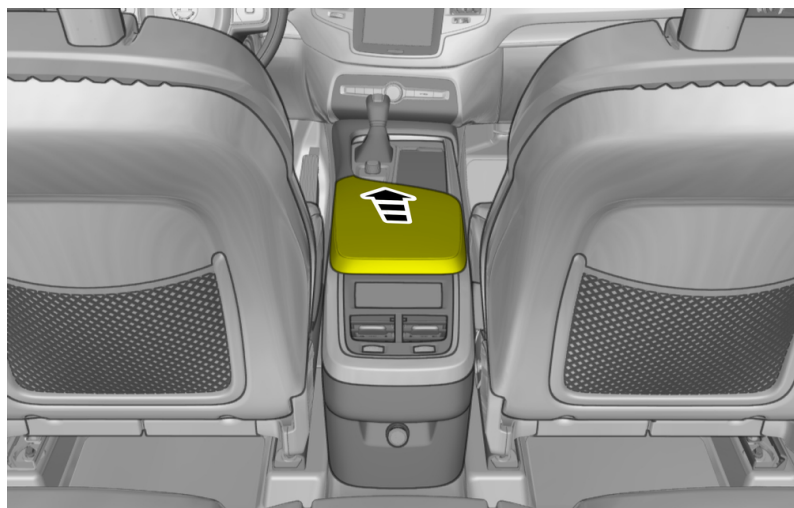


**Note!** This colour chart displays (in colour print and electronic version) the importance of the different colours used in the images of the method steps.

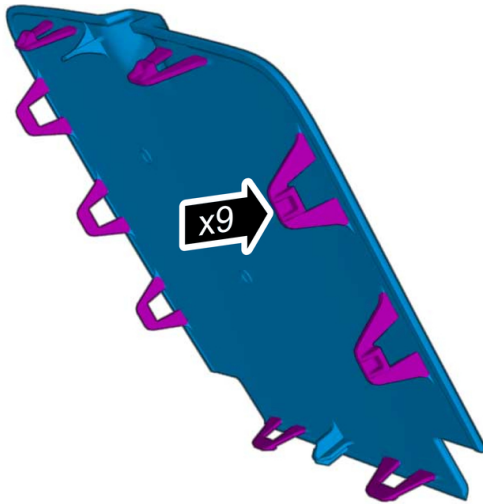
- 1 . Used for focused component, the component with which you will do something.
- 2 . Used as extra colors when you need to show or differentiate additional parts.
- 3 . Used for attachments that are to be removed/installed. May be screws, clips, connectors, etc.
- 4 . Used when the component is not fully removed from the vehicle but only hung to the side.
- 5 . Used for standard tools and special tools.
- 6 . Used as background color for vehicle components.



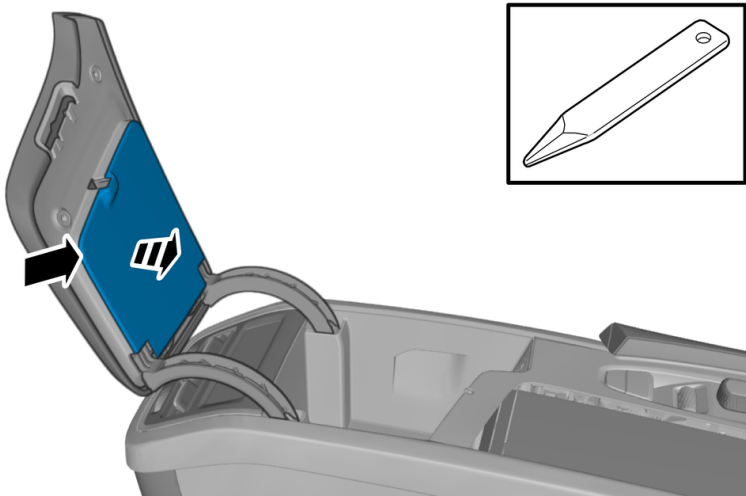
On both sides.



Fold marked part to one side.

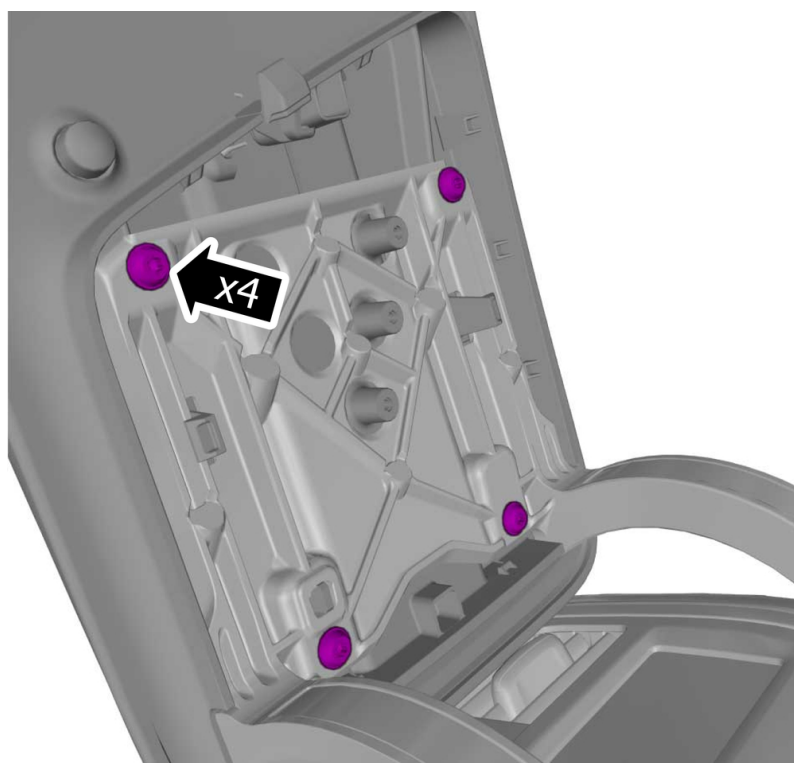


**Note!** The graphic shows the back of the component before removal.

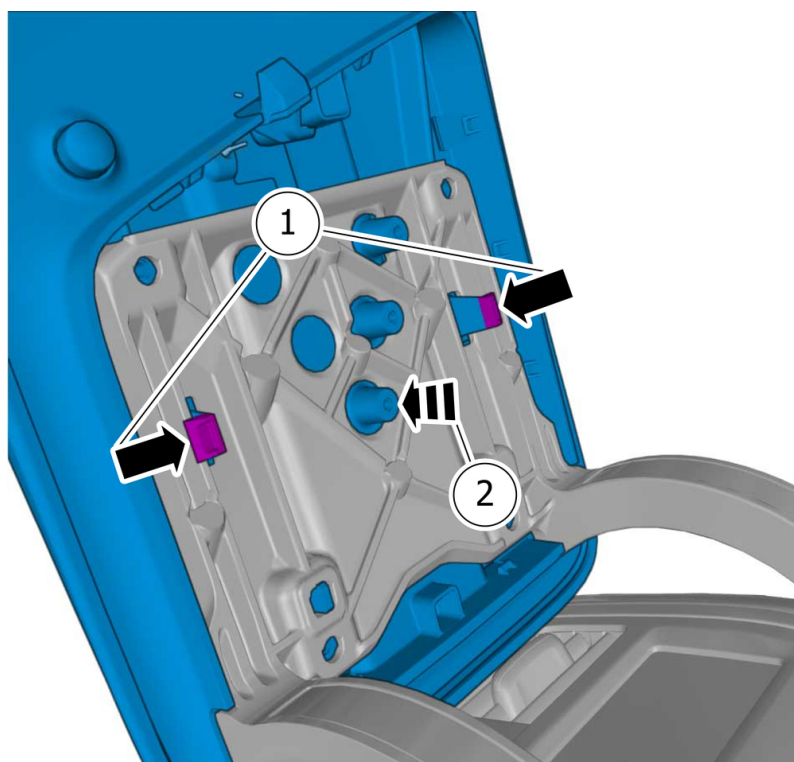


**Use:** Interior trim remover  
Remove the part carefully  
Remove the marked part.

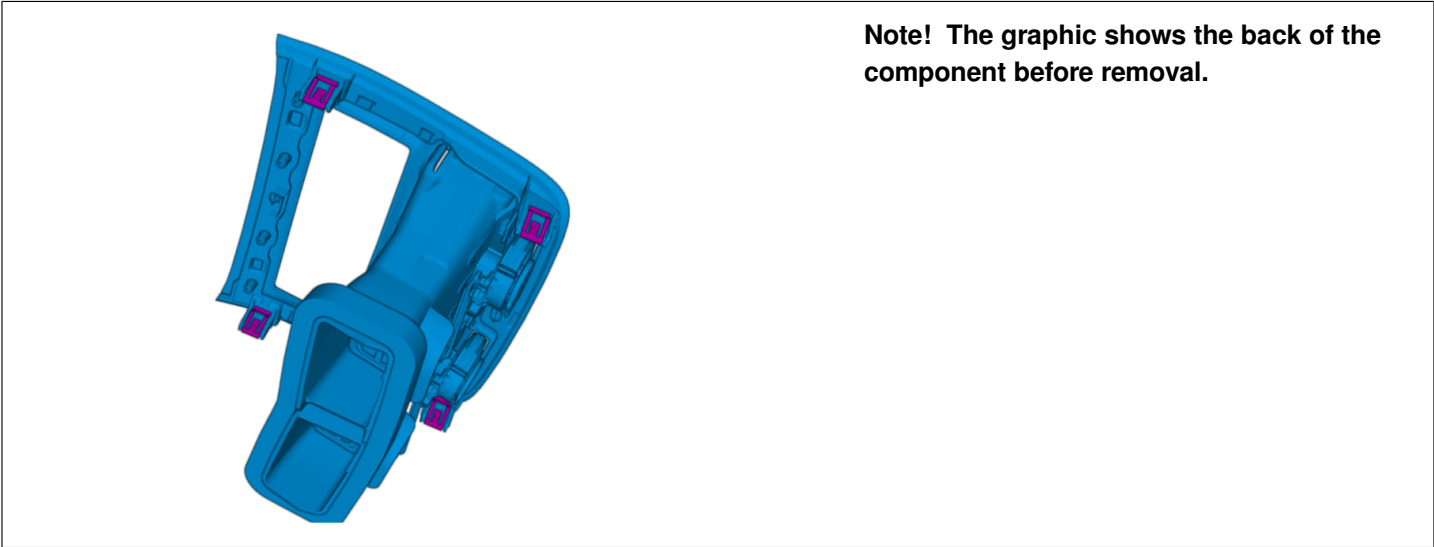
Remove the screws.



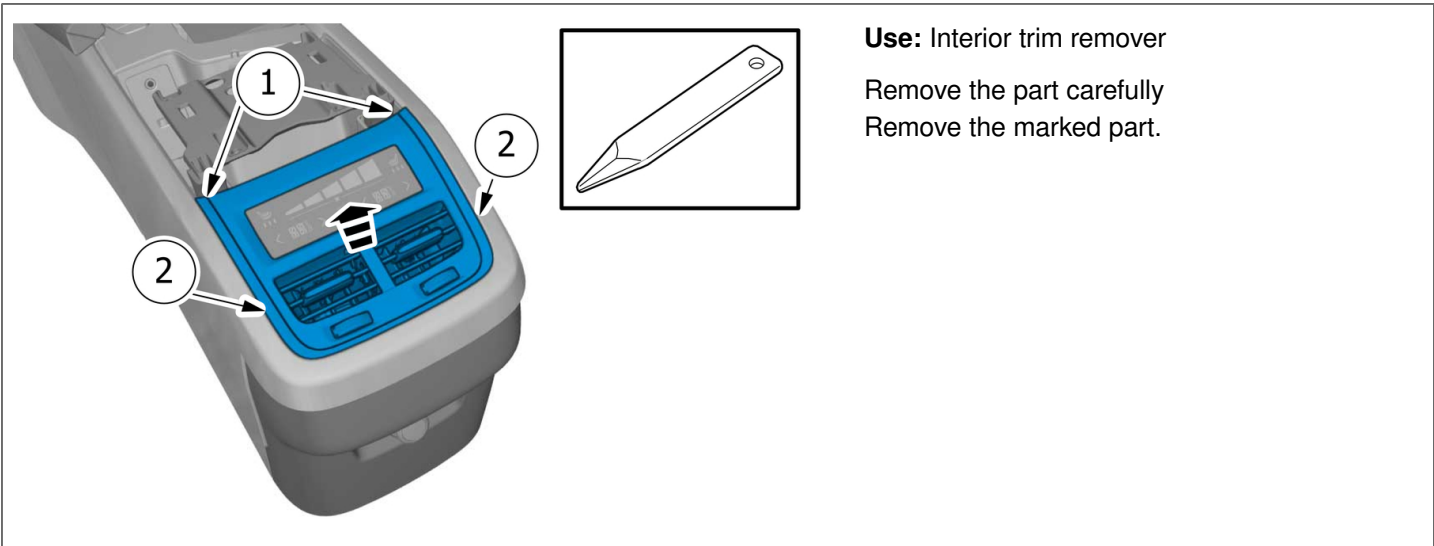
Release the catches.  
Remove the marked part.



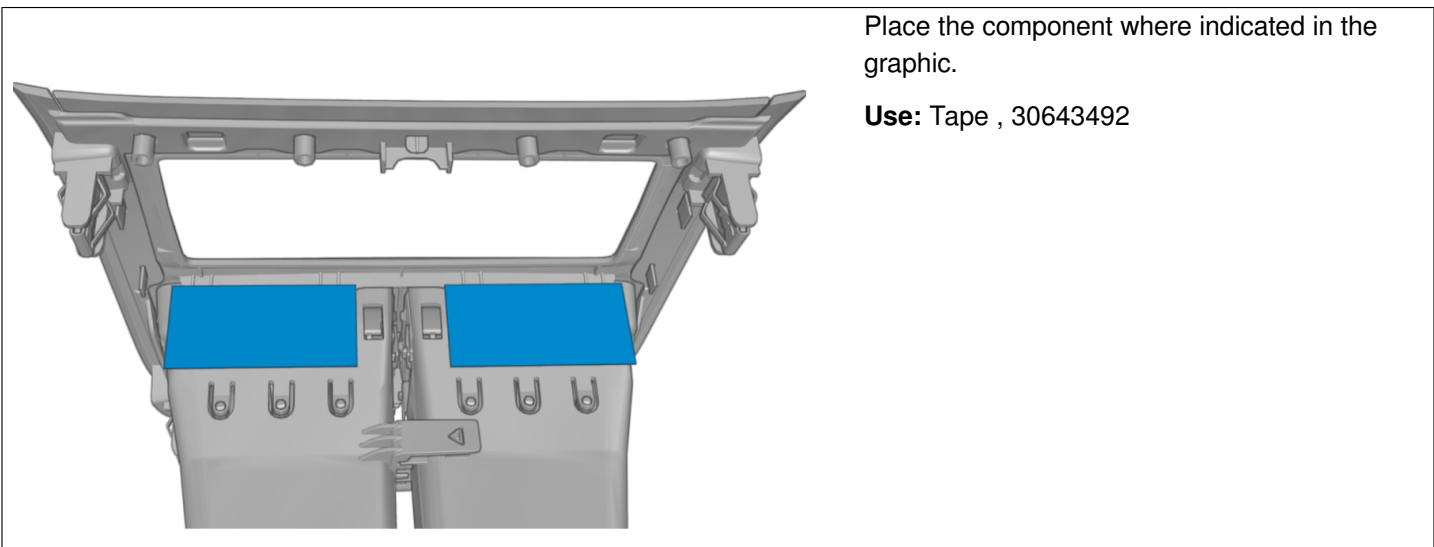




**Note!** The graphic shows the back of the component before removal.



**Use:** Interior trim remover  
 Remove the part carefully  
 Remove the marked part.



Place the component where indicated in the graphic.

**Use:** Tape , 30643492

**Installation**

To install, reverse the removal procedure.