



Technical Journal

TITLE:
Service Campaign A39773: Audio Module Replacement

REF NO: TJ 31810.1.0	ISSUING DEPARTMENT: Technical Service	CAR MARKET: United States and Canada	
PARTNER: 3 US 7510 Volvo Car USA		ISSUE DATE: 2016-07-18	STATUS DATE: 2016-07-21
FUNC GROUP: 3900	FUNC DESC: Media, navigation and communication	Page 1 of 9	

“Right first time in Time”

Attachment

File Name	File Size
TJ 31810 QBI-TJ31810.pdf	3.88 MB

Vehicle Type

Type	Eng	Eng Desc	Sales	Body	Gear	Steer	Model Year	Plant	Chassis range	Struc Week Range
256							2016-2016		0000510-0059891	201505-201551

CSC Customer Symptom Codes

VST Operation Number

DTC Diagnostic Trouble Codes

Rows beginning with * are modified

Note! If using a printed copy of this Technical Journal, first check for the latest online version.

Text

DESCRIPTION:

Volvo Car USA LLC and Volvo Car of Canada Ltd (Volvo) on behalf of Volvo Car Corporation, has decided to launch Service Campaign A39773 on model year 2016 XC90 vehicles equipped with the Premium Sound System.



Volvo has identified that a filter diode in the Audio Module (AUD) may fail, resulting in no sound from the audio system.

SERVICE:

The corrective action is to replace the Audio Module.

VEHICLE REPORT:

Not required

To view TJ attachment continue to next page. This TJ has one attachment.



Volvo Car Customer Service

QB Instruction 31810

Title	Audio module (AUD)	Page	1 (7)
Action	Replacement	Operation number:	36004-2 39020-2

Issue	Date	Reason
1	2016-06	First issue

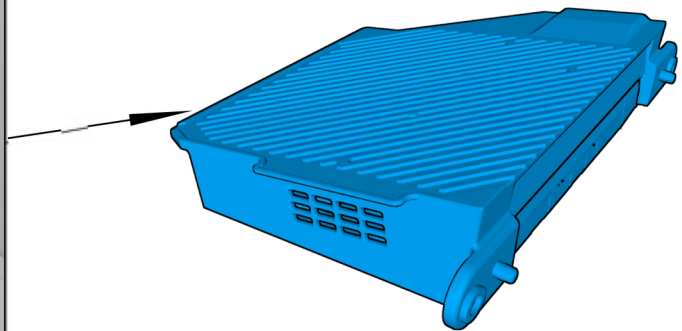
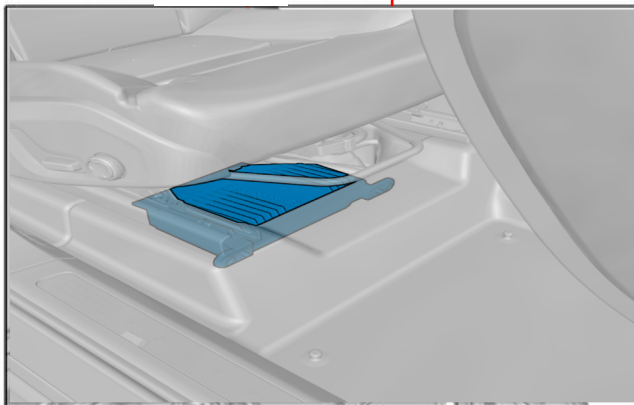
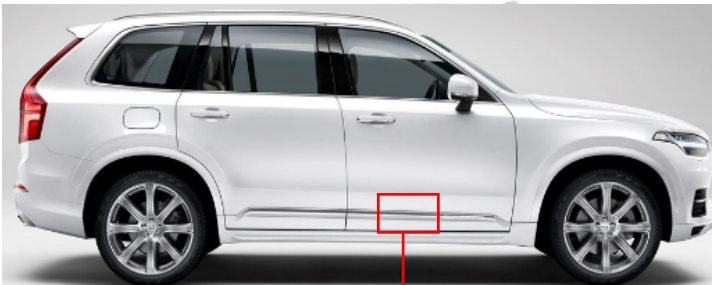
Affected vehicles

Model year	Model
2016	XC90 (16-)

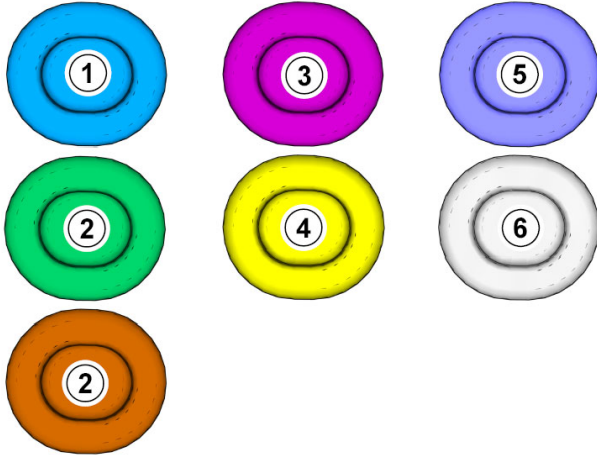
Removal

Note! Removal steps in this procedure may contain installation details.

Orientation view

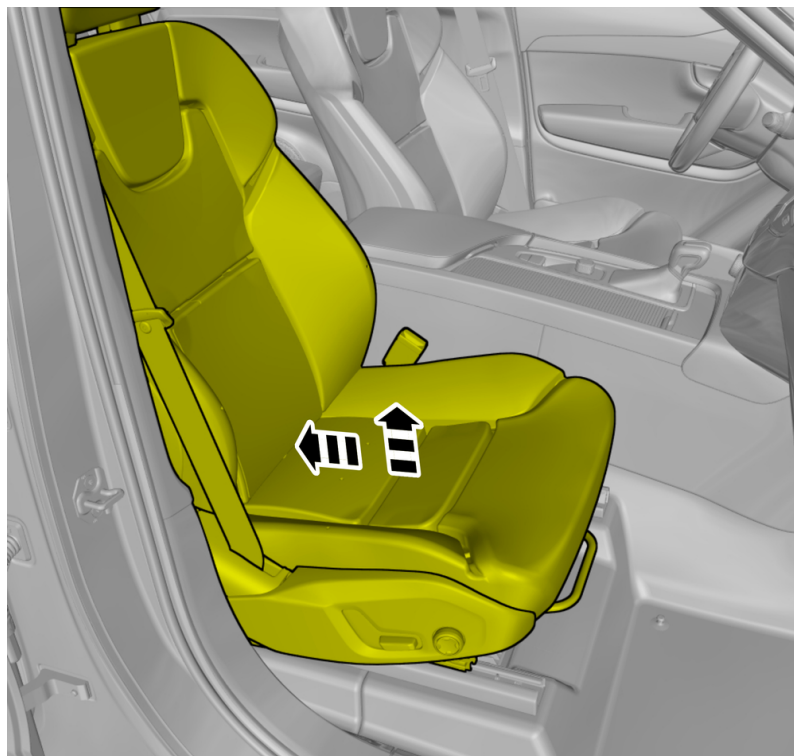


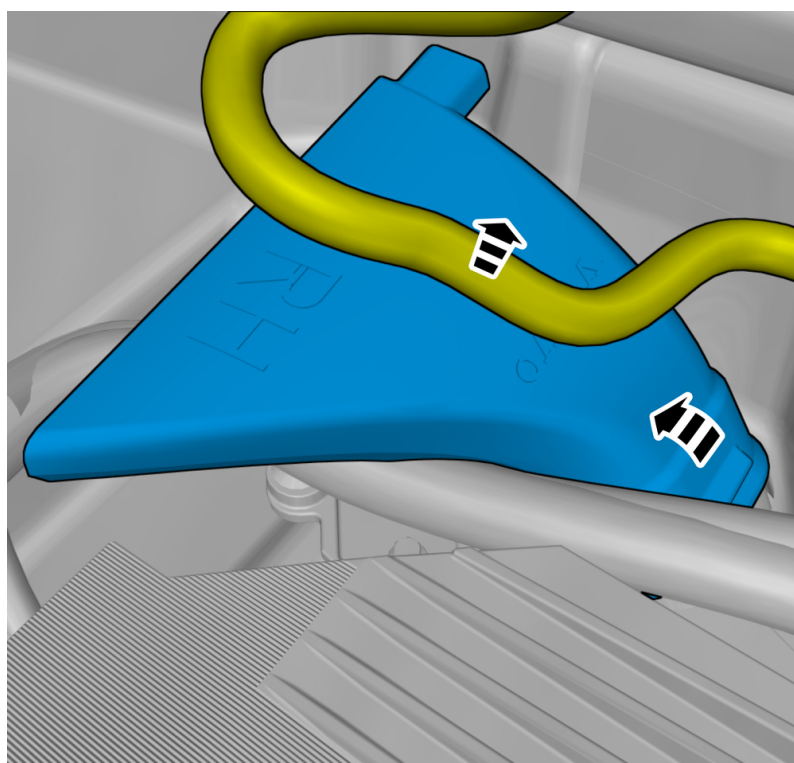
Color symbols



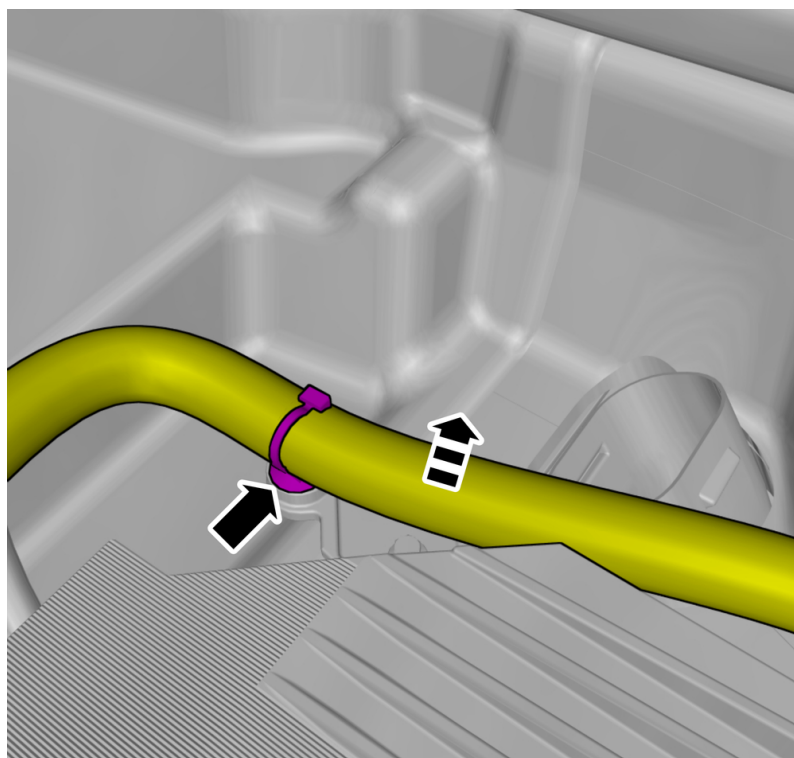
Note! This colour chart displays (in colour print and electronic version) the importance of the different colours used in the images of the method steps.

- 1 . Used for focused component, the component with which you will do something.
- 2 . Used as extra colors when you need to show or differentiate additional parts.
- 3 . Used for attachments that are to be removed/installed. May be screws, clips, connectors, etc.
- 4 . Used when the component is not fully removed from the vehicle but only hung to the side.
- 5 . Used for standard tools and special tools.
- 6 . Used as background color for vehicle components.

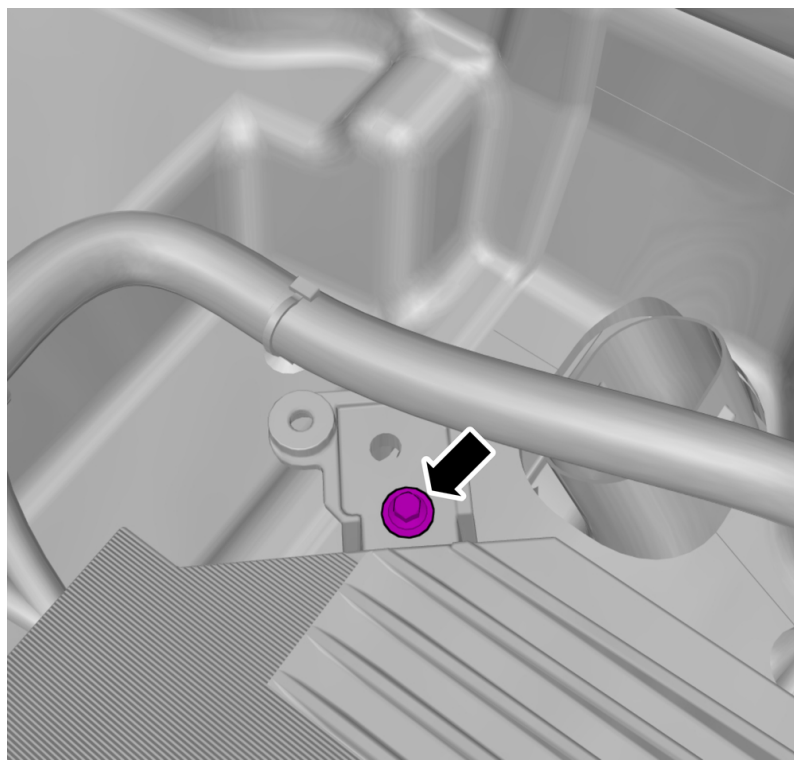




Remove the marked part.



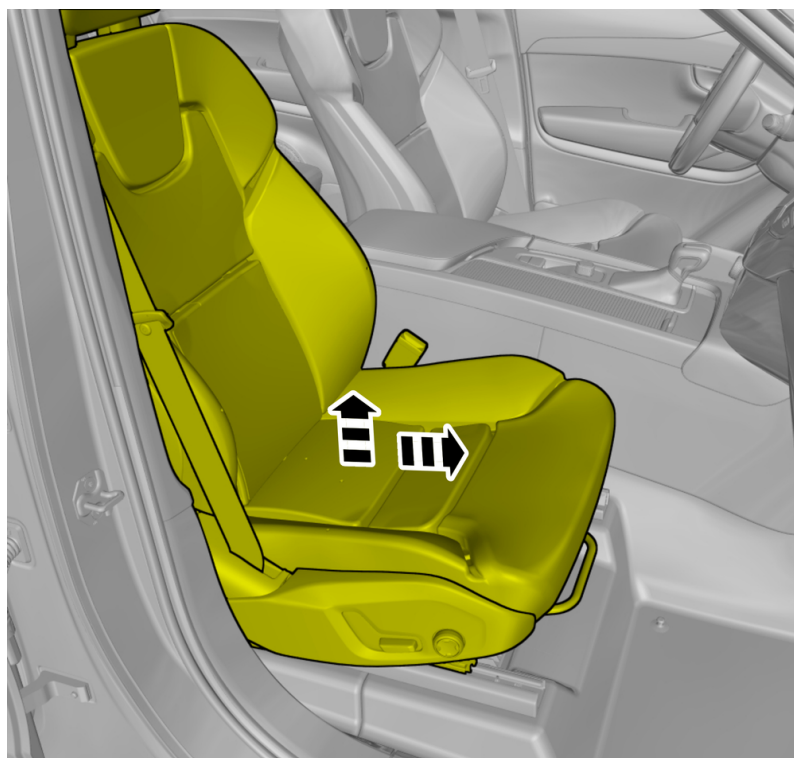
Remove the cable harness clips.

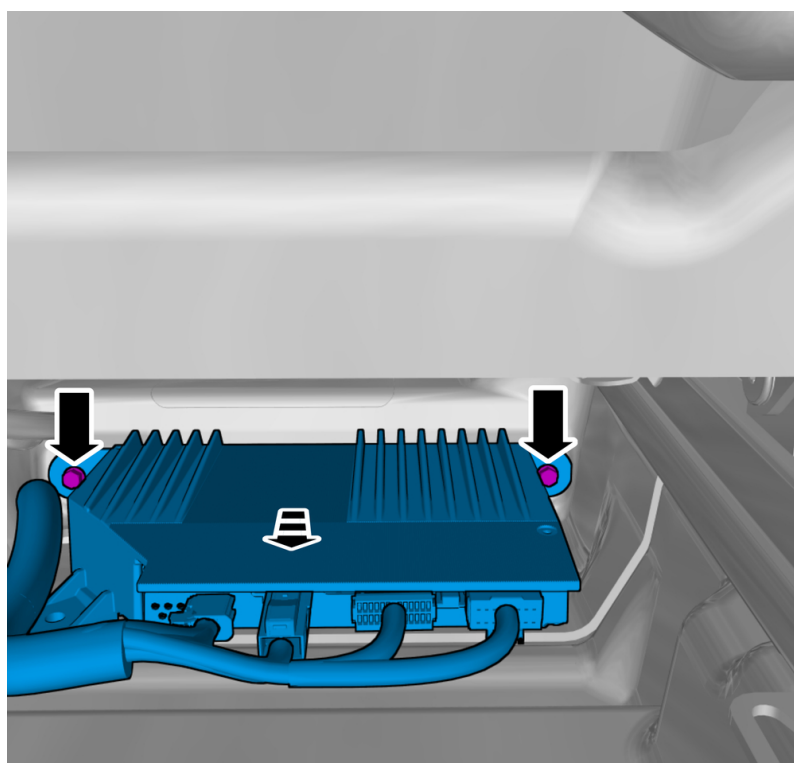


Remove the screw.

Torque:

M5 , 5 Nm





Remove the screws.

Torque:

M6 , 10 Nm

Set the vehicle to Inactive mode, described in user mode , refer to:

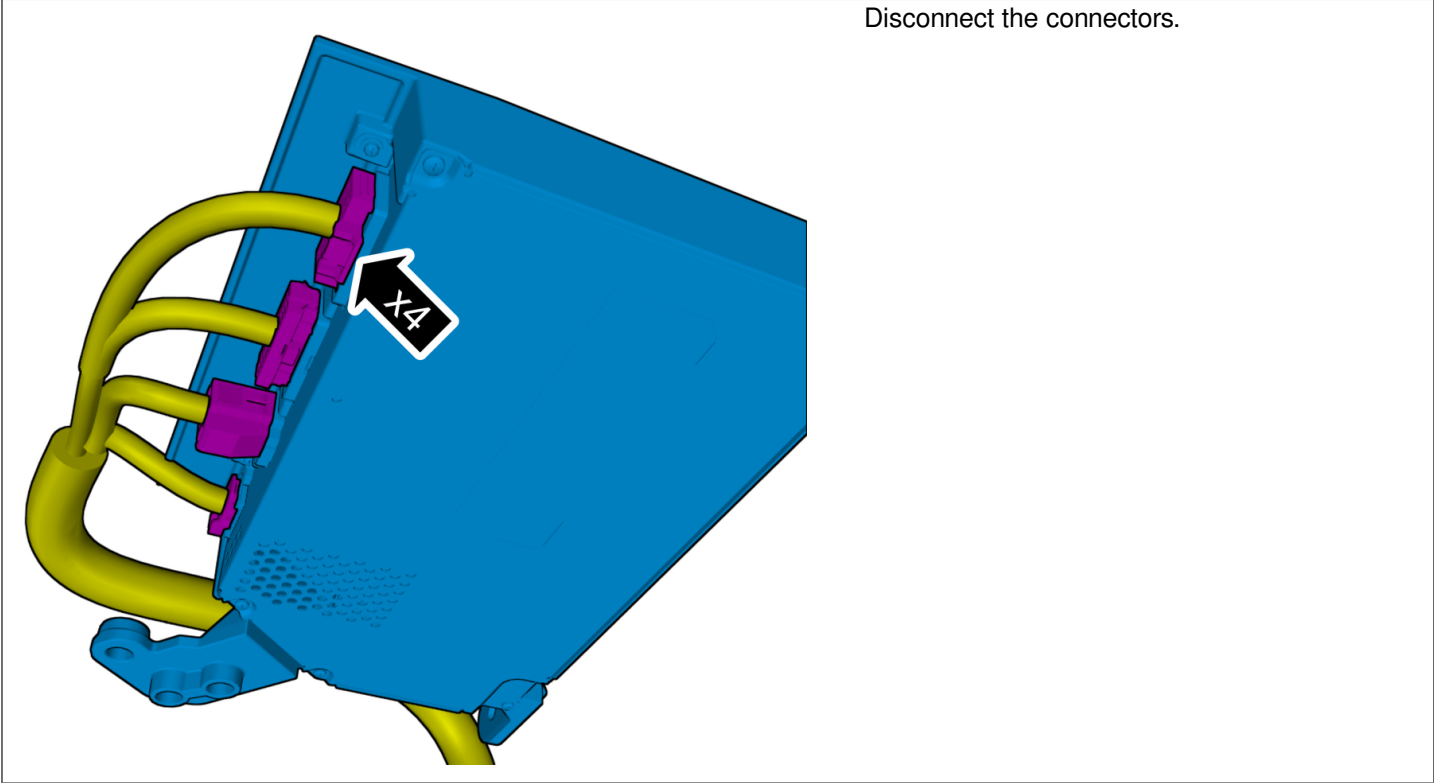
General Information

3 - Electrical system

30 - General

300 - general

Disconnect the connectors.



Installation

To install, reverse the removal procedure.

Reset the vehicle settings after completed test or work.

Order and download software according to:
VIDA/Software/Hardware Changes