



Technical Journal

TITLE:
Oil leakage into the bellows, standard steering gear

REF NO: TJ 15636.17.0	ISSUING DEPARTMENT: Technical Service	CAR MARKET: United States and Canada	
PARTNER: 3 US 7510 Volvo Car USA		ISSUE DATE: 2016-06-23	STATUS DATE: 2016-06-28
FUNC GROUP: 6422	FUNC DESC: Steering gear, servo complete	Page 1 of 8	

“Right first time in Time”

Attachment

File Name	File Size
TJI-495522-2_1_1_en-US.pdf	2.2567 MB

Vehicle Type

Type	Eng	Eng Desc	Sales	Body	Gear	Steer	Model Year	Plant	Chassis range	Struc Week Range
124							2007-2014	21	0000850-0200260	200605-201614
134							2011-2014	22	0000001-9999999	201020-999952
135							2008-2010		0000001-0371644	200720-201020
136							2008-2014	21	0000400-0273944	200720-201619
137							2016-9999	22	0000001-9999999	201524-999952
155							2015-2016	21	0001001-9999999	201420-999952
156							2010-2014	22	0000001-9999999	200835-999952
157							2015-9999	21	0000001-9999999	201450-999952

CSC Customer Symptom Codes

Code	Description
QA	Steering/Steering requires extra or uneven effort
QH	Steering/Other steering/handling problems
U6	Steering/Oil leakage
H4	Steering/Unusual noise/Unsure when/at all times



VST Operation Number

VST Operation Number	Description
64218-2	Steering gear rem-inst/replace
60113	Toe-in front adjust
60110	Wheel angles 4 wheels calibrating
98633-2	Steering gear bellows leakage check acc, to TJ15636

DTC Diagnostic Trouble Codes

Rows beginning with * are modified

Note! If using a printed copy of this Technical Journal, first check for the latest online version.

Text

DESCRIPTION:

*This journal is re-written in its entirety.

If oil leakage is suspected from the steering gear, please follow advice under service.

SERVICE:

To make sure it is oil leakage and not contamination (which can appear as leakage) , an inspection needs to be performed. Inspect according to VST op nr. 98633-2.

If confirmed there is oil leakage in the bellows, replace the steering gear according to VIDA.

VEHICLE REPORT:

Yes please, on every case you have with confirmed oil leakage.

To view TJ attachment continue to next page. This TJ has one attachment.



Volvo Car Customer Service

TJ Instruction VCC-495522-2

Title	Steering gear bellows, leakage check	Page	1 (6)
Action	Inspection	Operation number:	98633-2

Issue	Date	Reason
1	2016-06	First issue

Affected vehicles

Model year	Model
2011, 2012, 2013, 2014, 2015, 2016, 2017	S60 (11-)
2014, 2015, 2016, 2017	S60L
2007, 2008, 2009, 2010, 2011, 2012, 2013, 2014, 2015, 2016	S80 (07-)
2008, 2009, 2010, 2011, 2012, 2013, 2014, 2015	S80L
2011, 2012, 2013, 2014, 2015, 2016, 2017	V60
2008, 2009, 2010, 2011, 2012, 2013, 2014, 2015, 2016	V70 (08-)
2009, 2010, 2011, 2012, 2013, 2014, 2015, 2016, 2017	XC60
2008, 2009, 2010, 2011, 2012, 2013, 2014, 2015, 2016	XC70 (08-)

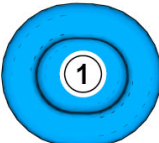
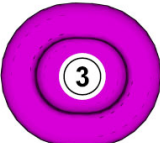

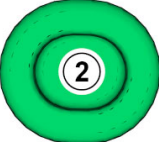
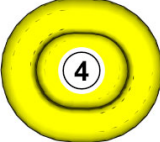

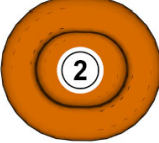
Materials

Materials	Qty.	Part No.	Notes
Hose clamp	2.0	977818	

Check



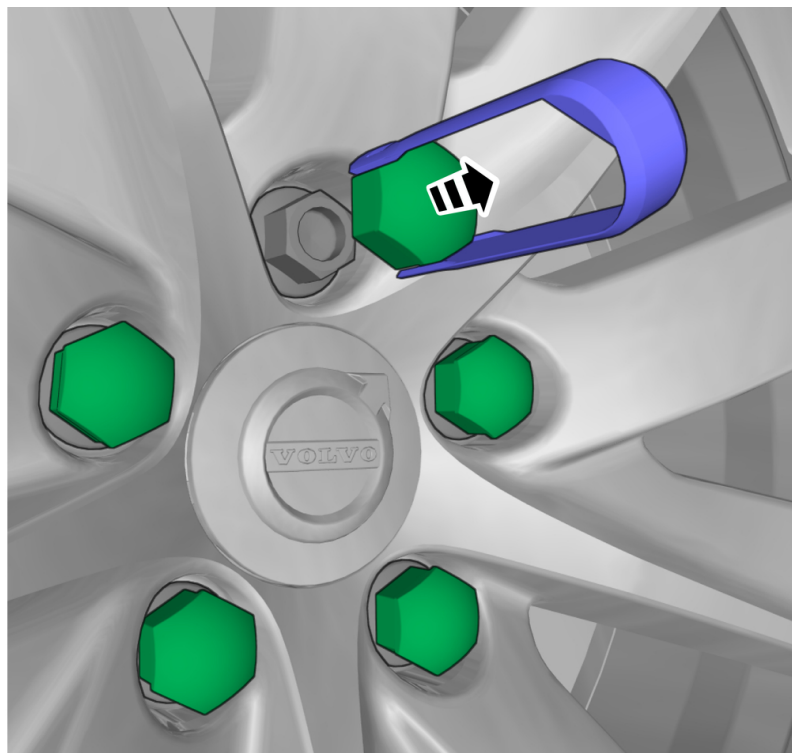
Color symbols

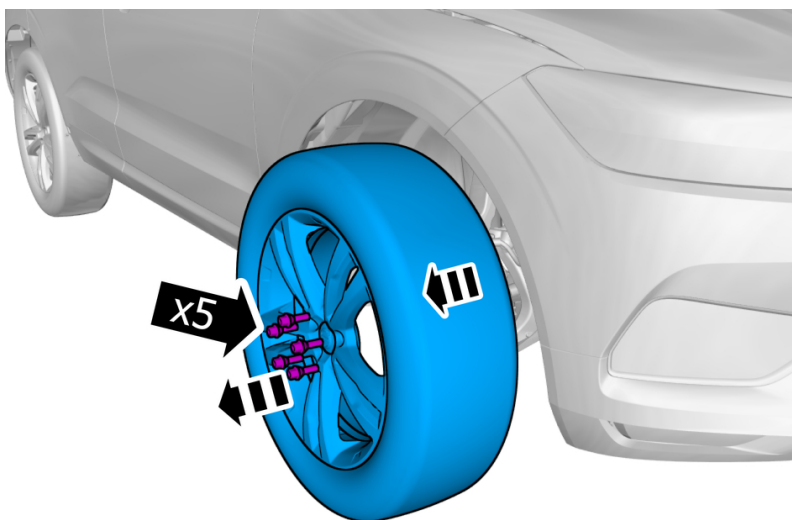
Note! This colour chart displays (in colour print and electronic version) the importance of the different colours used in the images of the method steps.

- 1 . Used for focused component, the component with which you will do something.
- 2 . Used as extra colors when you need to show or differentiate additional parts.
- 3 . Used for attachments that are to be removed/installed. May be screws, clips, connectors, etc.
- 4 . Used when the component is not fully removed from the vehicle but only hung to the side.
- 5 . Used for standard tools and special tools.
- 6 . Used as background color for vehicle components.

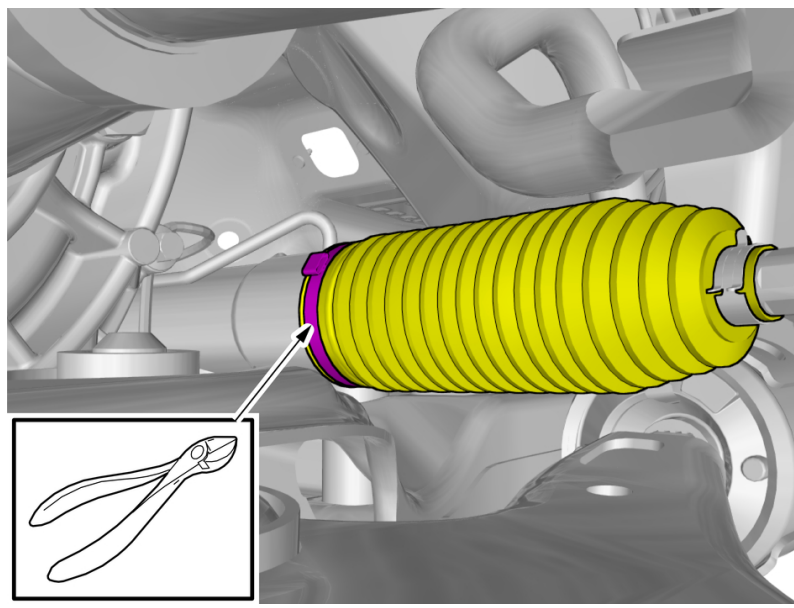
Removal



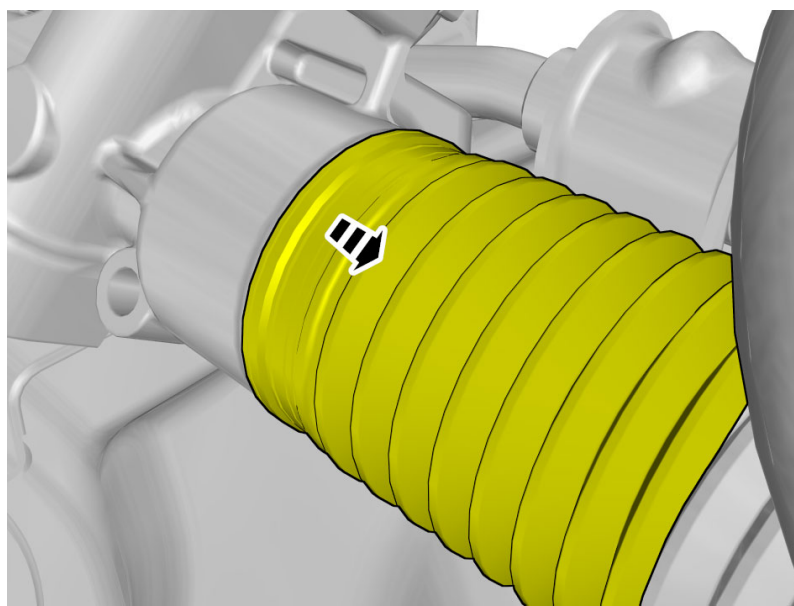
Remove the marked part.
On both sides.



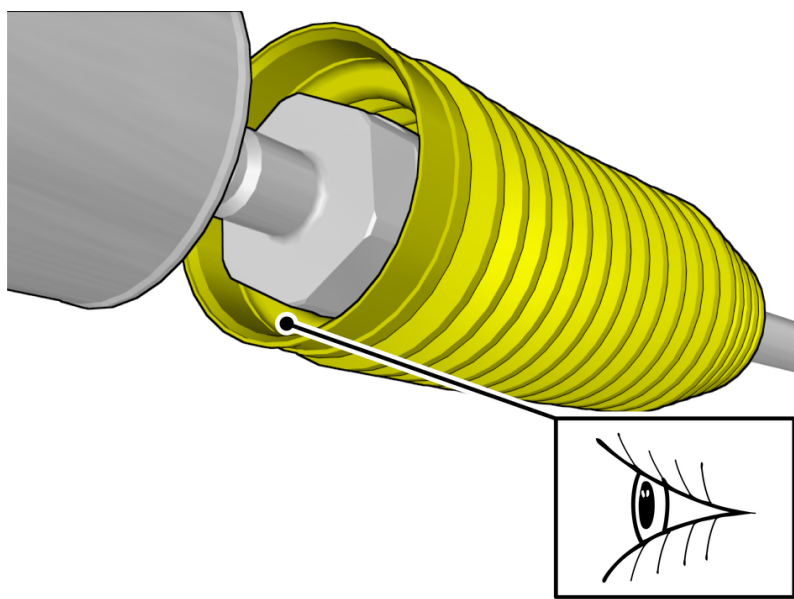
Remove the screws.
Remove the marked part.
On both sides.



Remove the marked part.
On both sides.



Fold marked part to one side.
On both sides.

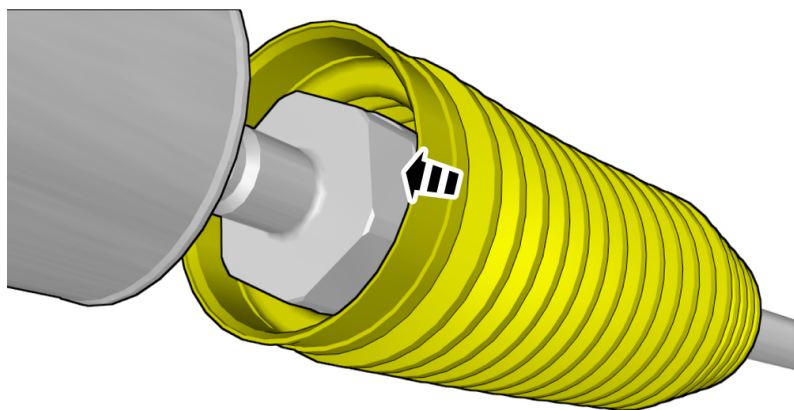


Warning! Make sure that there are no leaks.

Inspect the gaiter and check for servo fluid leaks. Note that grease from the rack gear may be present, which is normal.

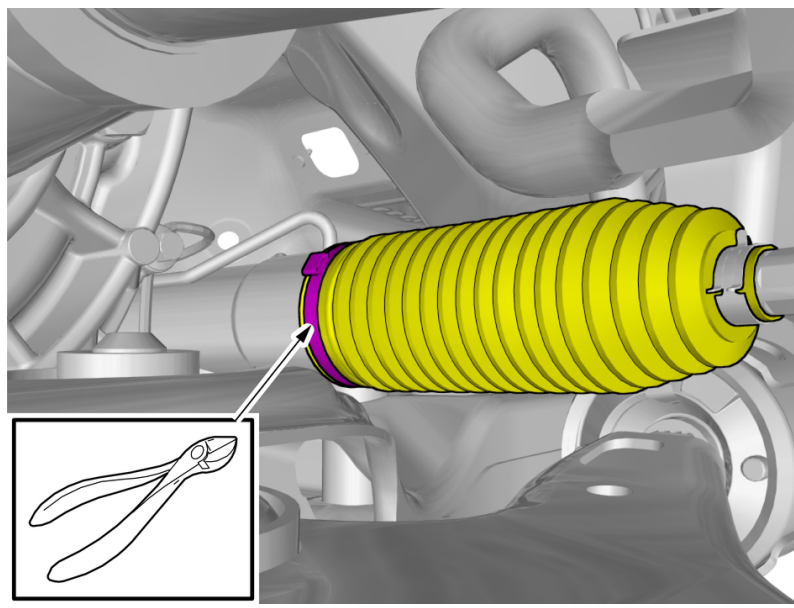
On both sides.

Installation

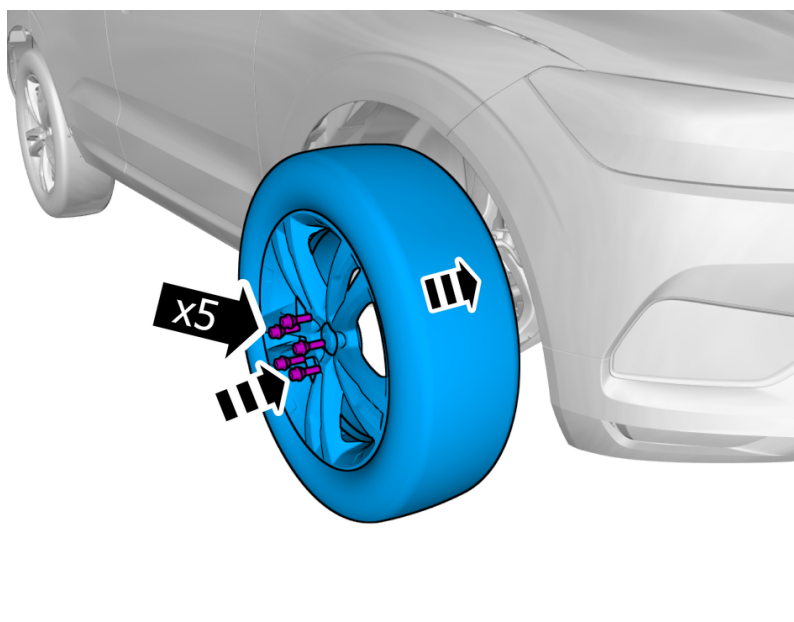


Install the marked component.

On both sides.



Install the marked component.
On both sides.



Install the marked component.
Install the screws.

Torque:

- Stage 1 : Wheel to wheel hub , 20 Nm
- Stage 2 : Wheel to wheel hub , 140 Nm

On both sides.