

2016 PRE-DELIVERY SERVICE CHECK SHEET

January 2016

BEFORE INSPECTION	OK	Adjust Repair
1 Install Short Pin (see page 2).....	<input type="checkbox"/>	<input type="checkbox"/>
2 Initialize power sliding door* (see page 2)	<input type="checkbox"/>	<input type="checkbox"/>
3 Initialize power back door* (see page 2)	<input type="checkbox"/>	<input type="checkbox"/>
4 Initialize Parking Assist Monitor System*.....	<input type="checkbox"/>	<input type="checkbox"/>
5 Install antenna*.....	<input type="checkbox"/>	<input type="checkbox"/>

FUNCTIONAL OPERATION		
<i>Apply parking brake and cycle ignition "IG-ON"; place gear selector in reverse, turn on lights and rear defogger. Unlock all doors, release fuel door.</i>		
1 Check dome, courtesy, map, and sun visor lights*.....	<input type="checkbox"/>	<input type="checkbox"/>
2 Check warning/indicator lights, gauges, and horn.....	<input type="checkbox"/>	<input type="checkbox"/>
3 Check windshield wipers and washer.....	<input type="checkbox"/>	<input type="checkbox"/>
4 Check headlights, instrument lights, turn signals, emergency flashers, and brake lights	<input type="checkbox"/>	<input type="checkbox"/>
5 Check inside/outside rear view mirror operation/adjustment.....	<input type="checkbox"/>	<input type="checkbox"/>
6 Check cigarette lighter* and power outlets.....	<input type="checkbox"/>	<input type="checkbox"/>
7 Check sliding roof(s)*.....	<input type="checkbox"/>	<input type="checkbox"/>
8 Check audio/navigation*/backup camera* systems and set clock.....	<input type="checkbox"/>	<input type="checkbox"/>
9 Check Rear Seat Entertainment system operation*.....	<input type="checkbox"/>	<input type="checkbox"/>
10 Check Automatic Door Lock (ADL) function*	<input type="checkbox"/>	<input type="checkbox"/>
11 Install shift-lock override button cover	<input type="checkbox"/>	<input type="checkbox"/>
12 Check Auto Access Seat*.....	<input type="checkbox"/>	<input type="checkbox"/>

WALKAROUND INSPECTION		
<i>Start at left front door. Check window and door lock operation (from master power switch, if equipped). Continue around vehicle in a counterclockwise direction checking each door and window operation, child door locks, seat belts, interior condition, all lights, luggage compartment contents. Finish by checking headlight aim and continue into UNDER HOOD checks.</i>		
1 Check Smart Key System*.....	<input type="checkbox"/>	<input type="checkbox"/>
2 Check door and door lock operation, including each wireless remote control/theft deterrent system*	<input type="checkbox"/>	<input type="checkbox"/>
3 Check window operation.....	<input type="checkbox"/>	<input type="checkbox"/>
4 Check that engine starts with all keys	<input type="checkbox"/>	<input type="checkbox"/>
5 Check that child safety door locks are in normal (unlocked) position.....	<input type="checkbox"/>	<input type="checkbox"/>
6 Check seats and seat belt operation.....	<input type="checkbox"/>	<input type="checkbox"/>
7 Check rear defogger/rear view mirror defogger*.....	<input type="checkbox"/>	<input type="checkbox"/>
8 Check side marker, tail, backup, and license plate lights ...	<input type="checkbox"/>	<input type="checkbox"/>
9 Check luggage compartment light* and trim appearance...	<input type="checkbox"/>	<input type="checkbox"/>
10 Adjust spare tire pressure* & check jack & tool installation	<input type="checkbox"/>	<input type="checkbox"/>
11 Check headlight aim.....	<input type="checkbox"/>	<input type="checkbox"/>

UNDER HOOD		
1 Check engine oil level.....	<input type="checkbox"/>	<input type="checkbox"/>
2 Check brake fluid level.....	<input type="checkbox"/>	<input type="checkbox"/>
3 Check engine coolant level	<input type="checkbox"/>	<input type="checkbox"/>
4 Check windshield washer fluid level.....	<input type="checkbox"/>	<input type="checkbox"/>
5 Check battery state-of-charge using Digital Battery System Analyzer (SOC Reading: _____%)	<input type="checkbox"/>	<input type="checkbox"/>
6 Inspect for fuel, oil, coolant, and other fluid leaks.....	<input type="checkbox"/>	<input type="checkbox"/>

UNDER VEHICLE (ON HOIST)		
1 Remove disk brake anti-rust covers/anti-corrosion wheel film*.....	<input type="checkbox"/>	<input type="checkbox"/>
2 Inspect tires for defects/damage (including spare tire*).....	<input type="checkbox"/>	<input type="checkbox"/>
3 Initialize Tire Pressure Warning System (TPWS) (see page 2).....	<input type="checkbox"/>	<input type="checkbox"/>
4 Install wheel covers/caps/spare tire wheel covers*	<input type="checkbox"/>	<input type="checkbox"/>
5 Inspect for fuel, oil, coolant, and other fluid leaks	<input type="checkbox"/>	<input type="checkbox"/>
6 Inspect under the vehicle for damage, rust, etc.	<input type="checkbox"/>	<input type="checkbox"/>
7 Visually check bolts and nuts on chassis and powertrain for looseness.....	<input type="checkbox"/>	<input type="checkbox"/>
8 Install rubber body plugs (stored in glove box or center console)*.....	<input type="checkbox"/>	<input type="checkbox"/>

ROAD TEST	
<i>A complete road test helps assure customer satisfaction. Drive vehicle over a variety of road surfaces and driving conditions. Check for unusual noise and driving performance.</i>	

Enter Odometer Readings		
Reading Before Test: _____	Reading After Test: _____	
1 Check cold engine operation	<input type="checkbox"/>	<input type="checkbox"/>
2 Check engine operation during warm-up	<input type="checkbox"/>	<input type="checkbox"/>
3 Check engine at normal operating temperature	<input type="checkbox"/>	<input type="checkbox"/>
4 Check automatic transmission operation	<input type="checkbox"/>	<input type="checkbox"/>
5 Check brake and parking brake operation	<input type="checkbox"/>	<input type="checkbox"/>
6 Check steering operation and off-center/vehicle pull/flutter	<input type="checkbox"/>	<input type="checkbox"/>
7 Inspect for abnormal noise and vibration	<input type="checkbox"/>	<input type="checkbox"/>
8 Inspect for squeaks and rattles	<input type="checkbox"/>	<input type="checkbox"/>
9 Check front and rear* heater and A/C operation.....	<input type="checkbox"/>	<input type="checkbox"/>
10 Check cruise control operation*	<input type="checkbox"/>	<input type="checkbox"/>
11 Check front seat heater/ventilation operation*	<input type="checkbox"/>	<input type="checkbox"/>
12 Set/calibrate compass* (see page 2).....	<input type="checkbox"/>	<input type="checkbox"/>

FINAL INSPECTION AND CLEANING		
1 Remove interior protective covers, unnecessary labels, tags, etc. (Remove just before delivery to customer)	<input type="checkbox"/>	<input type="checkbox"/>
2 Visually inspect all interior parts for installation, damage, fit, dirt, etc.....	<input type="checkbox"/>	<input type="checkbox"/>
3 Verify floor mat application and install using retaining clips*.....	<input type="checkbox"/>	<input type="checkbox"/>
4 Verify green light is illuminated on SOS (Safety Connect) button*.....	<input type="checkbox"/>	<input type="checkbox"/>
5 Remove Rappard™ and clear protective bumper film*.....	<input type="checkbox"/>	<input type="checkbox"/>
6 Wash and clean vehicle.....	<input type="checkbox"/>	<input type="checkbox"/>
7 Inspect paint finish for scratches, chips, rust, dents, damage, etc.....	<input type="checkbox"/>	<input type="checkbox"/>
8 Inspect exterior body parts for proper installation, damage, rust, etc.....	<input type="checkbox"/>	<input type="checkbox"/>
9 Place oil change sticker on inside of windshield, top left corner.....	<input type="checkbox"/>	<input type="checkbox"/>
10 Place Owner's Guide and first aid kit portfolio* in glove box	<input type="checkbox"/>	<input type="checkbox"/>
11 Install front license plate and mounting bracket* (see page 2)	<input type="checkbox"/>	<input type="checkbox"/>
12 Perform Techstream Health Check.....	<input type="checkbox"/>	<input type="checkbox"/>
13 Install receiver towing hitch cap*.....	<input type="checkbox"/>	<input type="checkbox"/>

* Inspect or install when equipped/required.

Completion and retention of this form is required to comply with Toyota's Warranty Policy.

TECHNICIAN'S SIGNATURE _____

SERVICE MANAGER'S SIGNATURE _____

NAME (PLEASE PRINT) _____

NAME (PLEASE PRINT) _____

We hereby certify that all items on this form have been checked and corrected for proper operation as required.

Date	Dealer Name	Dealer Code	Vehicle Identification Number (Sticker)
------	-------------	-------------	---

SHORT PIN INSTALLATION

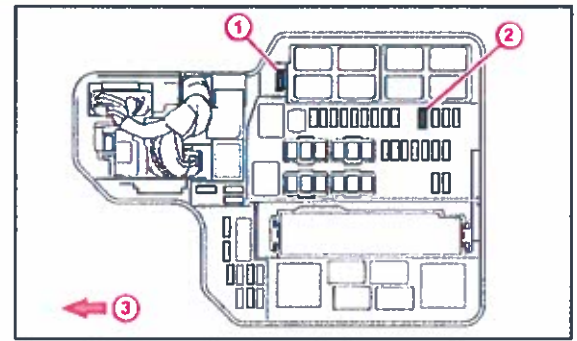
To minimize battery discharge the Short Pin has been removed and is stored in the engine compartment relay block. Install the Short Pin and confirm all related DTCs are cleared.

DTC Clearing Procedure

1. Connect Techstream to DLC3.
2. Cycle the ignition switch to the "IG-ON" position.
3. Using Techstream, check any other codes being output.
4. Erase DTCs (B1650 and B1794) and Freeze Frame Data.

NOTE

If any DTCs besides B1650 and B1794 remain, repair the applicable system according to the Repair Manual.



1 Storage Location 2 Installation Location 3 Front

POWER SLIDING AND POWER BACK DOOR INITIALIZATION

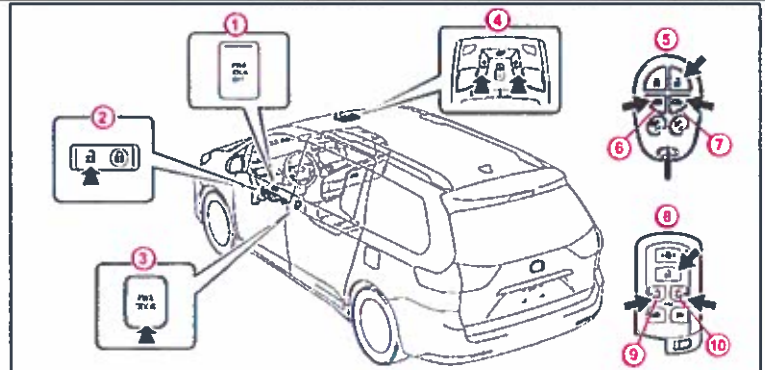
As a result of the removal of the Short Pin, the "automatic open and close" and "jam protection" functions of the power sliding and power back door will be inoperative due to loss of the power back door position. Initialize the power back door after installing the Short Pin in its original location during Pre-Delivery Service (PDS).

Power Sliding Door

Refer to the Repair Manual for the Initialization procedure.

Power Back Door

Refer to the Repair Manual for the Initialization procedure.



1 Power Door Main Switch
2 Door Control Switch
3 Power Sliding Door Switch
4 Power Sliding Door Satellite Switch
5 Transmitter Switch (w/o Smart Key System)
6 PSD Button (LH)
7 PSD Button (RH)
8 Transmitter Switch (w/Smart Key System)
9 PSD Button (LH)
10 PSD Button (RH)

TIRE PRESSURE WARNING SYSTEM (TPWS) INITIALIZATION

Refer to the Repair Manual for the Initialization procedure.

NOTE

To adjust the tire pressure correctly when the outside temperature is significantly colder than shop temperature, perform a Health Check using Techstream and select the "Compensation Tire Pressure" checkbox. Compensation pressures will be displayed on the Health Check results screen. Adjust the tire pressure when the tires are cold.

COMPASS CALIBRATION

Refer to the Repair Manual for the Calibration procedure for vehicles equipped with a compass in the rear view mirror.

NOTE

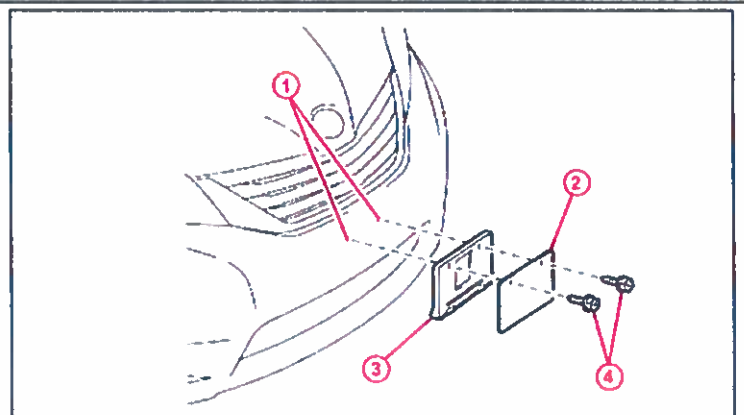
- Do NOT perform calibration of the compass in a place where the Earth's magnetic field is subject to interference by artificial magnetic fields (underground parking, under a steel tower, between buildings, roof parking, near a railroad crossing, etc.).
- During calibration, do NOT operate electric systems (moon roof, power windows, etc.) as they may interfere with the calibration.

FRONT LICENSE PLATE & MOUNTING BRACKET INSTALLATION*

1. Insert the license plate into the front license plate bracket.
2. Align the installation holes on the front license plate mounting bracket and front license plate with the dimples on the front bumper.
3. Screw in the 2 self-tapping screws directly into the dimples to install the front license plate and mounting bracket onto the bumper.

NOTICE

- Do NOT pre-drill holes into the bumper.
- Do NOT overtighten the self-tapping screws.



1 Dimples 2 Front License Plate Bracket 3 License Plate 4 Self-tapping Screws