



Technical Service Bulletin

SUBJECT:		No: TSB-16-52A-003	
SRS UPDATES: SEAT SLIDE SENSOR, SEAT BELT SWITCH – SERVICE MANUAL REVISION		DATE: September, 2016	
		MODEL: 2014–15 Mirage	
CIRCULATE TO:	<input type="checkbox"/> GENERAL MANAGER	<input checked="" type="checkbox"/> PARTS MANAGER	<input checked="" type="checkbox"/> TECHNICIAN
<input checked="" type="checkbox"/> SERVICE ADVISOR	<input checked="" type="checkbox"/> SERVICE MANAGER	<input type="checkbox"/> WARRANTY PROCESSOR	<input type="checkbox"/> SALES MANAGER

PURPOSE

This TSB updates the Interior section of the affected Service Manuals to include the seat slide sensor and updated information for the seat belt switch continuity check.

AFFECTED VEHICLES

- 2014–2015 Mirage

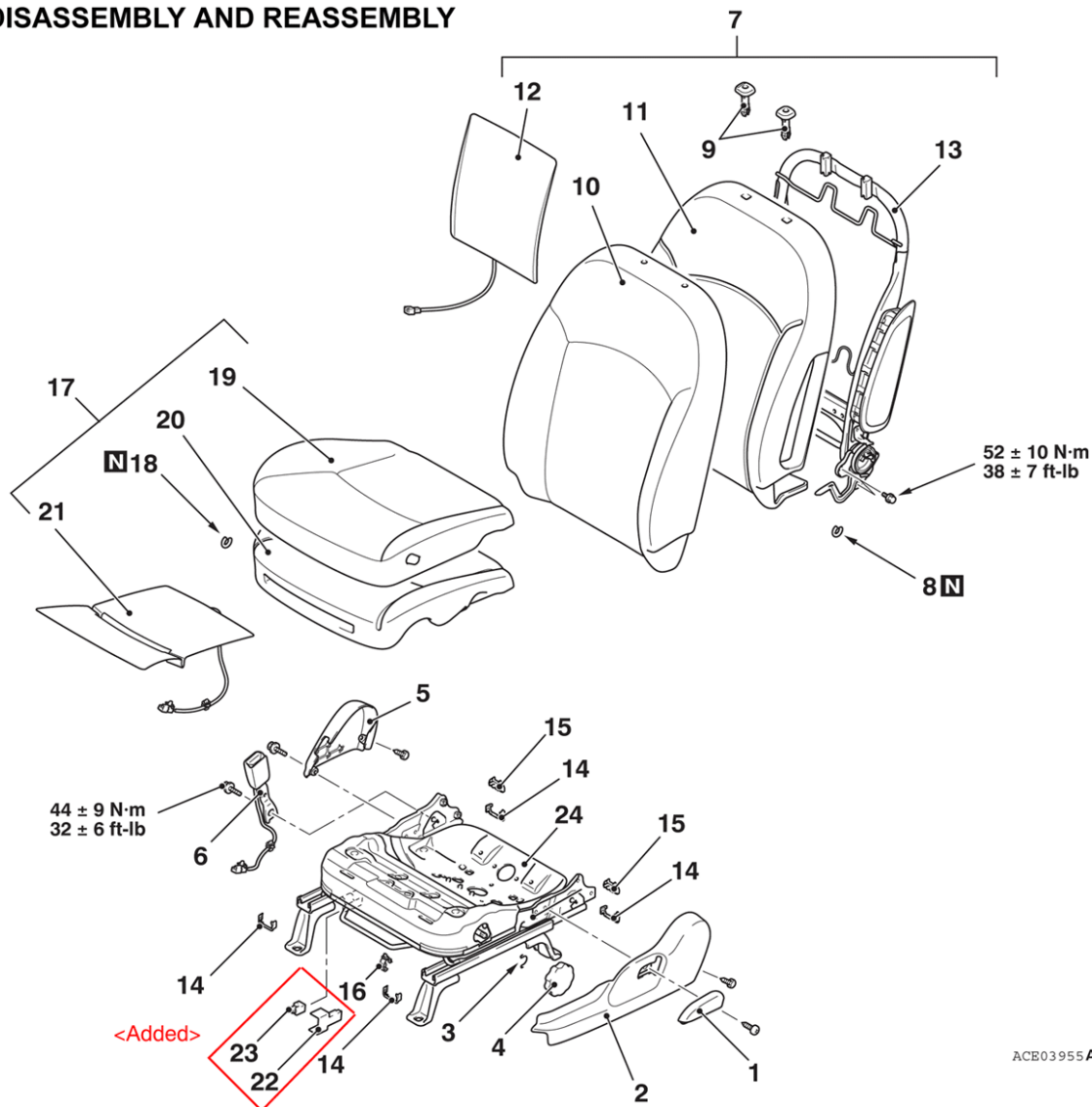
AFFECTED SERVICE MANUALS

2014–2015 Mirage Service Manual, Group 52A – Interior



Please make the indicated changes to the 2014 and 2015 Mirage Service Manual, Group 52A – Interior
 -> Seat Assembly -> Front Seat Assembly.

DISASSEMBLY AND REASSEMBLY



ACB03955 AB

Disassembly steps

1. Reclining adjuster lever
2. Side shield cover
3. Pin
4. Height adjuster lever
5. Hinge cover
6. Inner seat belt
7. Front seatback assembly
8. Hog ring
9. Headrest guide
10. Front seatback cover
11. Front seatback pad

Disassembly steps (Continued)

12. Front seatback heater <Vehicles with heated seat>
13. Front seatback frame
14. Rail end cap lower
15. Rail end cap upper
16. Front seat clip
17. Front seat cushion assembly
18. Hog ring
19. Front seat cushion cover
20. Front seat cushion pad
21. Seat cushion heater <Vehicles with heated seat>

<Incorrect> ~~22. Front seat cushion assembly~~ ← ~~22. Cover~~ ← ~~23. Seat slide sensor~~
 ← 24.

Please make the indicated changes to the 2014 and 2015 Mirage Service Manual, Group 52A – Interior –> Seat Belt –> Inspection. Replace the information below with the new information on the following page.

**INTERIOR
SEAT BELT**

INSPECTION

M1523004400848

<Incorrect>

SEAT BELT BUCKLE SWITCH CONTINUITY CHECK (DRIVER'S SIDE)

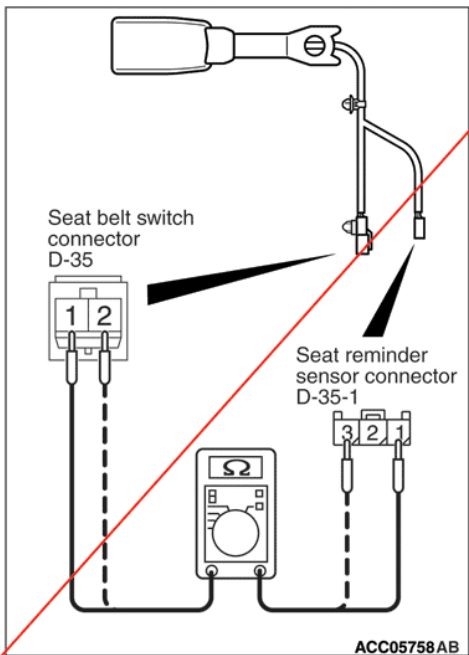
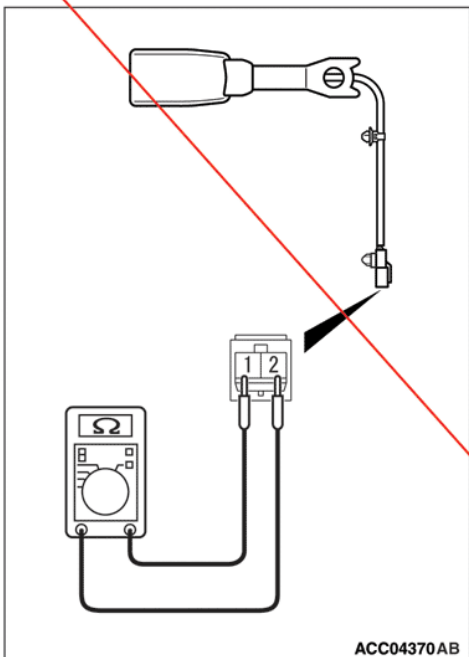
If there is no continuity when the outer seatbelt is fastened, replace the inner seatbelt.

Item	Tester connection	Specified condition
Fastened seat belt	1 – 2	Open circuit
Unfastened seat belt		Continuity exists (2 ohms or less)

SEAT BELT BUCKLE SWITCH CONTINUITY CHECK (PASSENGER'S SIDE)

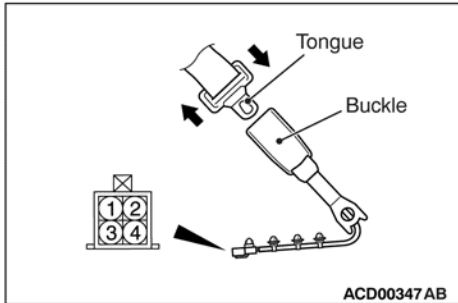
If there is no continuity when the outer seatbelt is fastened, replace the inner seatbelt.

Item	Tester connection	Specified condition
–	Connector D-35 (terminal No.1) – D-35-1 (terminal No.1)	Continuity exists (2 ohms or less)
Fastened seat belt	Connector D-35 (terminal No.2)	Open circuit
Unfastened seat belt	– D-35-1 (terminal No.3)	Continuity exists (2 ohms or less)

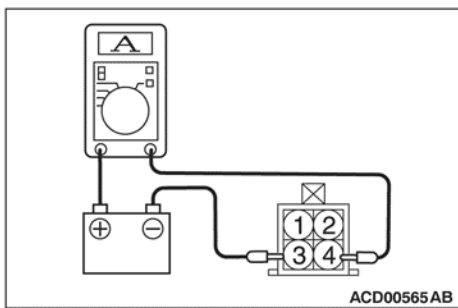


<Correct>

SEAT BELT SWITCH CONTINUITY CHECK (DRIVER'S SIDE)



Item	Tester connection	Specified condition
Fastened seat belt	1 - 2	Open circuit
Unfastened seat belt	1 - 2	Continuity exists (2 ohms or less)

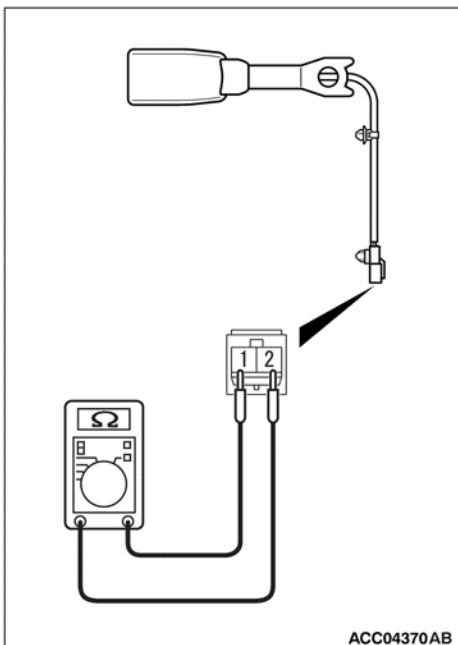


Power supply voltage: 5 V

Power supply connection	Check condition	Normal condition
<ul style="list-style-type: none"> Connect terminal No.4 to the positive power supply (5 V) terminal. Connect terminal No.3 to the negative power supply (5 V) terminal. 	When the seat belt is connected	12 - 17 mA
	When the seat belt is disconnected	4 - 7 mA

SEAT BELT SWITCH CONTINUITY CHECK (PASSENGER'S SIDE)

If there is no continuity when the outer seatbelt is fastened, replace the inner seatbelt.



Item	Tester connection	Specified condition
Fastened seat belt	1 - 2	Open circuit
Unfastened seat belt		Continuity exists (2 ohms or less)