



Technical Service Bulletin

SUBJECT:		No: TSB-16-11-002	
ROCKER COVER INSTALLATION PROCEDURE – SERVICE MANUAL REVISION		DATE: September, 2016	
		MODEL: 2014-16 Outlander	
CIRCULATE TO:	<input type="checkbox"/> GENERAL MANAGER	<input checked="" type="checkbox"/> PARTS MANAGER	<input checked="" type="checkbox"/> TECHNICIAN
<input checked="" type="checkbox"/> SERVICE ADVISOR	<input checked="" type="checkbox"/> SERVICE MANAGER	<input type="checkbox"/> WARRANTY PROCESSOR	<input type="checkbox"/> SALES MANAGER

PURPOSE

This TSB updates the Engine Overhaul (2.4L) section of the affected Service Manuals to update rocker cover installation procedures.

AFFECTED VEHICLES

- 2014–2016 Outlander with 2.4L engine

AFFECTED SERVICE MANUALS

2014–2016 Outlander Service Manual, Group 11 – Engine



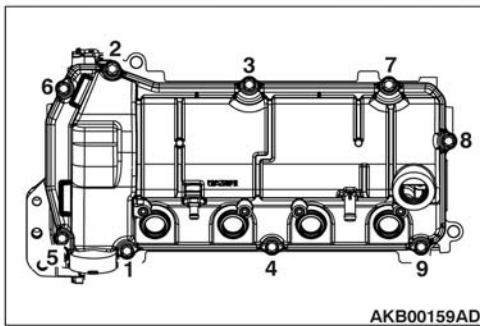
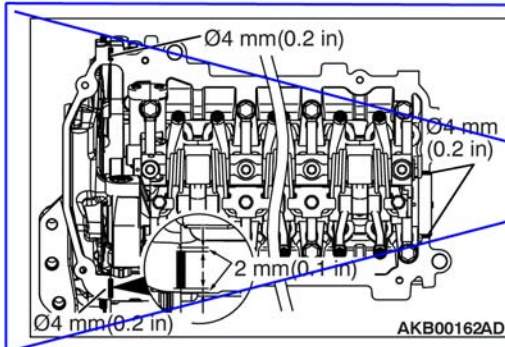
Please make the indicated changes to the 2014–2016 Outlander Service Manual, Group 11 – Engine → 11B. Engine Overhaul (2.4L Engine) → Oil Pan and Timing Chain Case → Rocker Cover Installation.

**ENGINE OVERHAUL <2.4L ENGINE>
OIL PAN AND TIMING CHAIN CASE**

<Correct>

Replace with new steps 3 and 4 on the pages that follow.

<Incorrect>



>>E<< ROCKER COVER INSTALLATION

1. Completely remove liquid gasket adhering to the rocker cover, timing chain case and cylinder head.
2. Use white gasoline to degrease the surface and contact where the liquid gasket is applied.

⚠ CAUTION

Install the Rocker cover immediately after liquid gasket is applied.

3. Appropriately use a minimum amount of sealant. Besides, be careful not to allow sealant to squeeze out from the application area. Apply liquid gasket of 4 mm (0.2 inch) of thickness in diameter.

Specified sealant:

ThreeBond 1217G or equivalent

⚠ CAUTION

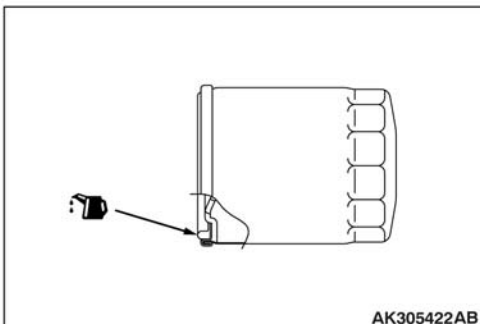
Install along the plug guide while being to careful not to damage the plug guide oil seal.

4. Install the rocker cover to the cylinder head.
5. Tighten the cylinder head cover to the tightening torque of 3.0 ± 1.0 N·m (27 ± 8 in-lb) in the order shown in the illustration.
6. Then, tighten it to the specified torque of 5.5 ± 0.5 N·m (49 ± 4 in-lb) in the same order.

See next page

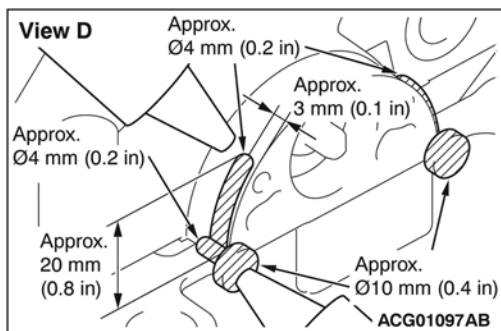
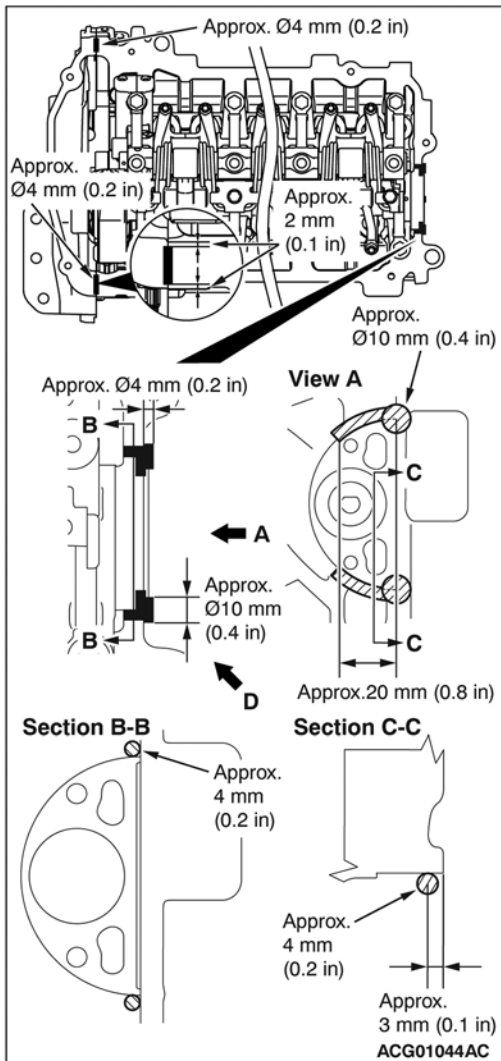
>>F<< OIL FILTER INSTALLATION

1. Clean the oil filter mounting surface of the ladder frame.
2. Apply engine oil to the O-ring of the oil filter.



3. Appropriately use a minimum amount of sealant. Besides, be careful not to allow sealant to squeeze out from the application area. Apply liquid gasket of approximately 4 mm (0.2 inch) or approximately 10 mm (0.4 inch) of thickness in diameter.

Specified sealant:
ThreeBond 1217G or equivalent

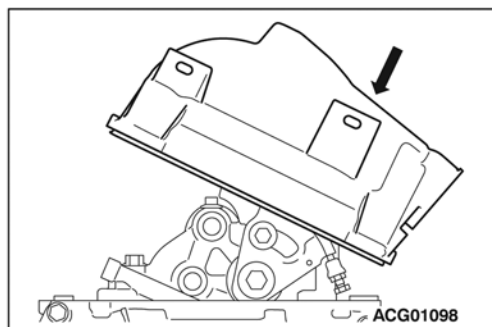


4. Install the rocker cover to the cylinder head by the following procedures:

⚠ CAUTION

Install along the spark plug guide while being to careful not to damage the spark plug guide oil seal.

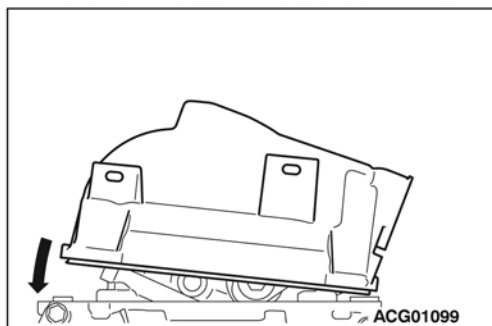
- (1) Raise the exhaust side of the rocker cover, and insert it at an angle along the spark plug guide.



⚠ CAUTION

When the rocker cover is seated on the cylinder head at a slight diagonal along the spark plug guide, the sealant, which is applied at the joint between the cylinder head and the timing chain case, will be misaligned. This may cause oil leakage.

- (2) Hold the rocker cover horizontally right before seating it on the cylinder head.



- (3) Lower the rocker cover vertically to seat it on the cylinder head.

