



Technical Service Bulletin

SUBJECT: SRS UPDATES: SEAT SLIDE SENSOR ADDED TO COMPONENT LOCATIONS – SERVICE MANUAL REVISION			No: TSB-16-52B-002
			DATE: June, 2016
			MODEL: 2014-15 Mirage
CIRCULATE TO:	<input type="checkbox"/> GENERAL MANAGER	<input checked="" type="checkbox"/> PARTS MANAGER	<input checked="" type="checkbox"/> TECHNICIAN
<input checked="" type="checkbox"/> SERVICE ADVISOR	<input checked="" type="checkbox"/> SERVICE MANAGER	<input type="checkbox"/> WARRANTY PROCESSOR	<input type="checkbox"/> SALES MANAGER

PURPOSE

This TSB updates the Component Locations section of the affected Service Manuals to include the seat slide sensor.

AFFECTED VEHICLES

- 2014-2015 Mirage

AFFECTED SERVICE MANUALS

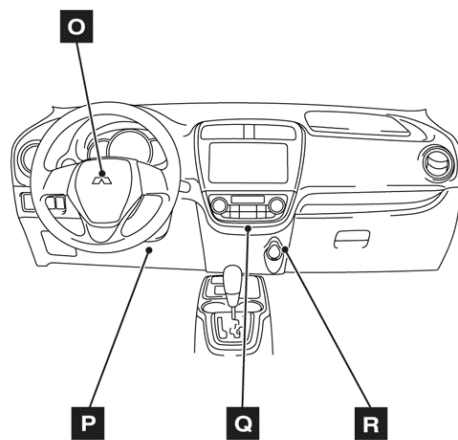
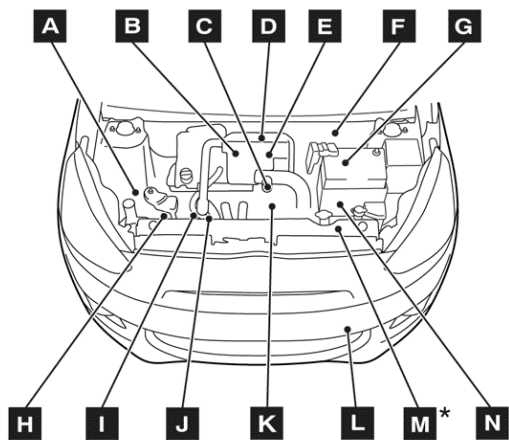
2014-2015 Mirage Service Manual, Group 70 – Component Locations

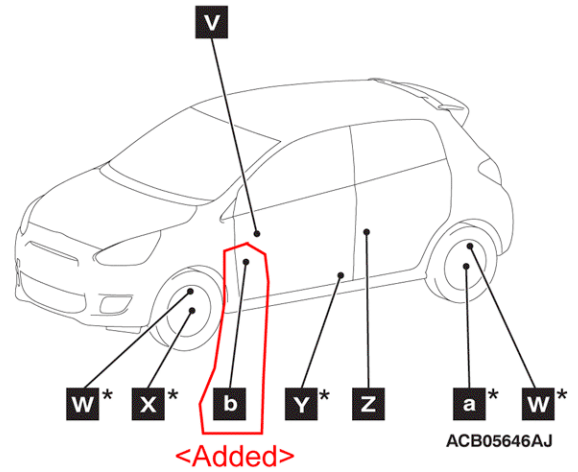
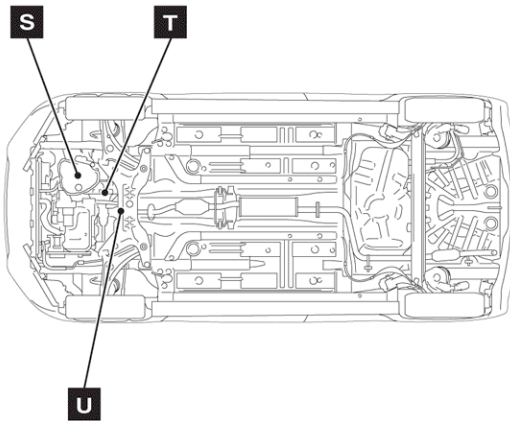


Please make the indicated changes to the 2014 and 2015 Mirage Service Manual, Group 70 – Component Locations -> Sensor.

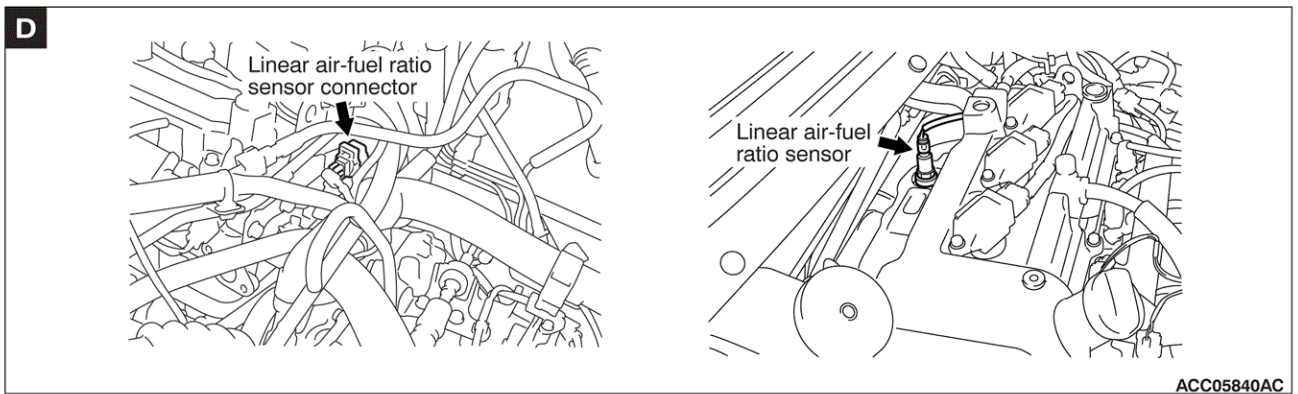
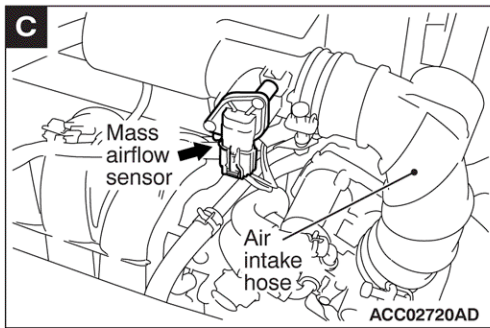
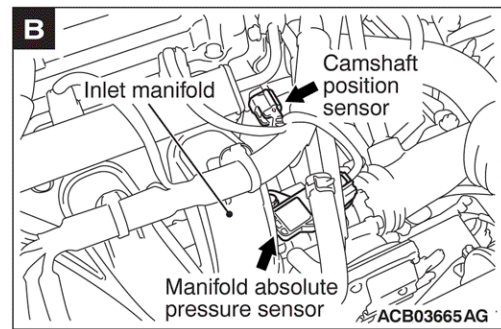
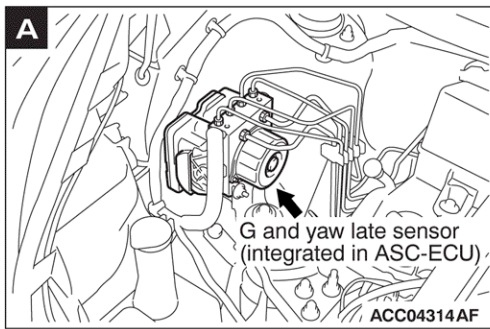
SENSOR

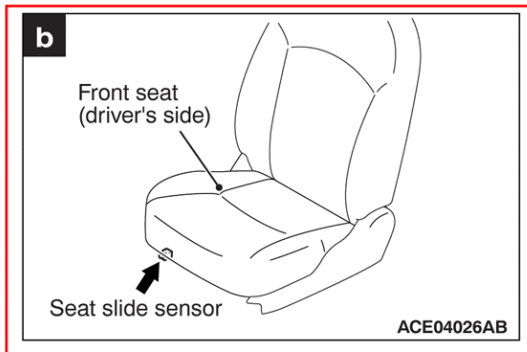
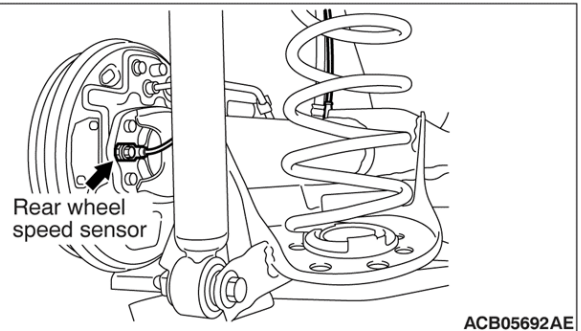
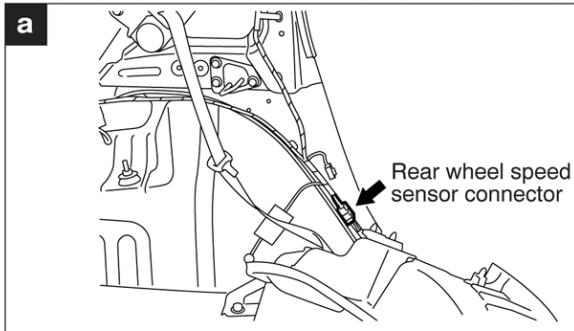
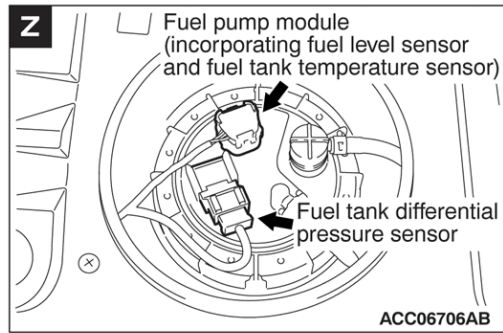
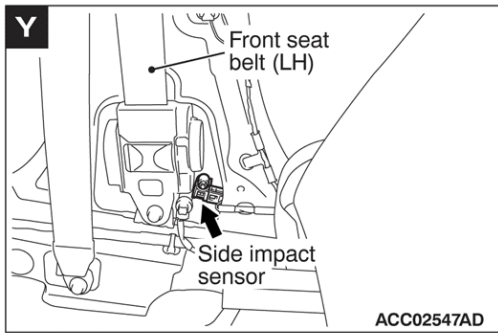
Name	Symbol	Name	Symbol
A/C pressure sensor	H	Interior temperature sensor (integrated in auto A/C controller assembly (A/C-ECU))	Q
Accelerator pedal position sensor	P	Knock sensor	J
Ambient temperature sensor	L	Linear air-fuel ratio sensor	D
Brake vacuum sensor	F	Manifold absolute pressure sensor	B
Camshaft position sensor	B	Mass airflow sensor	C
Crankshaft position sensor	I	Occupant classification sensor	V
CVT assembly (incorporating CVT fluid temperature sensor and secondary pressure sensor)	S	Output speed sensor <CVT>	T
Engine coolant temperature sensor	E	Primary speed sensor <CVT>	N
Fin thermo sensor	R	Rear wheel speed sensor	a <Added>
Front impact sensor	M	Seat slide sensor	b
Front wheel speed sensor	X	Secondary speed sensor <CVT>	G
Fuel pump module (incorporating fuel level sensor and fuel tank temperature sensor)	Z	Side impact sensor	Y
Fuel tank differential pressure sensor	Z	Steering wheel sensor	O
G and yaw late sensor (integrated in ASC-ECU)	A	Throttle body assembly (incorporating throttle position sensor)	K
Heated oxygen sensor (rear)	U	TPMS transmitter (incorporating tire pressure sensor)	W





NOTE: *also equipped at the right side.





<Added>