



Technical Service Bulletin

SUBJECT:		No:	TSB-16-52A-002
SRS WARNING ADDED TO FRONT SEAT REMOVAL & INSTALLATION PROCEDURE – SERVICE MANUAL REVISION		DATE:	June, 2016
		MODEL:	2011–15 Outlander Sport/RVR
CIRCULATE TO:	<input type="checkbox"/> GENERAL MANAGER	<input checked="" type="checkbox"/> PARTS MANAGER	<input checked="" type="checkbox"/> TECHNICIAN
<input checked="" type="checkbox"/> SERVICE ADVISOR	<input checked="" type="checkbox"/> SERVICE MANAGER	<input type="checkbox"/> WARRANTY PROCESSOR	<input type="checkbox"/> SALES MANAGER

PURPOSE

This TSB updates the Interior section of the affected Service Manuals to add a warning to check occupant classification sensor accuracy during front seat removal and installation.

AFFECTED VEHICLES

- 2011–2015 Outlander Sport/RVR

AFFECTED SERVICE MANUALS

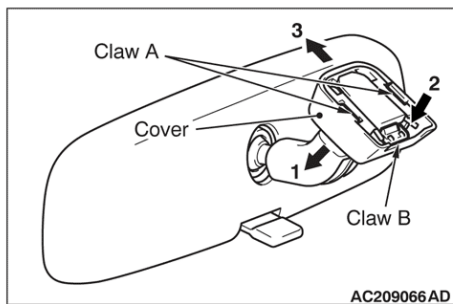
2011–2015 Outlander Sport/RVR Service Manual, Group 52A – Interior



Please make the indicated changes to the 2011 – 2015 Outlander Sport/RVR Service Manual, Group 52A – Interior -> Seat Assembly -> Front Seat Assembly -> Removal and Installation.

INTERIOR MIRROR

INTERIOR MIRROR



REMOVAL SERVICE POINT

1. Disengage the claw A and lower the cover toward arrow 1 direction.
2. Push the claw B toward arrow 2 direction to unlock, and pull out the mirror toward arrow 3 direction.

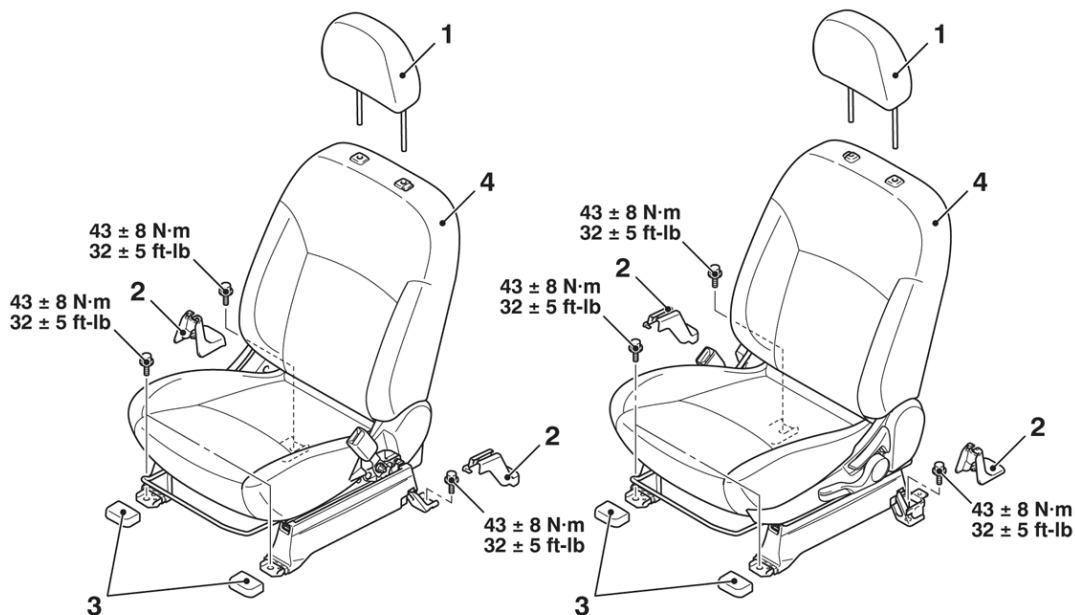
SEAT ASSEMBLY

FRONT SEAT ASSEMBLY

REMOVAL AND INSTALLATION

CAUTION

Before removing the front seat assembly, refer to GROUP 52B, Service Precautions and Side Airbag Module (s).



<Added>

WARNING

When removing and installing the front passenger seat, be sure to carry out accuracy check of occupant classification sensor after the seat has been installed in the vehicle (Refer to GROUP 52B, On-vehicle service).