



Technical Service Bulletin

SUBJECT:			No: TSB-16-42B-001
2017 MIRAGE BODY REPAIR MANUAL INFORMATION – SERVICE MANUAL REVISION			DATE: May, 2016
			MODEL: 2017 Mirage
CIRCULATE TO:	<input type="checkbox"/> GENERAL MANAGER	<input checked="" type="checkbox"/> PARTS MANAGER	<input checked="" type="checkbox"/> TECHNICIAN
<input checked="" type="checkbox"/> SERVICE ADVISOR	<input checked="" type="checkbox"/> SERVICE MANAGER	<input checked="" type="checkbox"/> WARRANTY PROCESSOR	<input type="checkbox"/> SALES MANAGER

PURPOSE

A 2017 Mirage Body Repair Manual will not be issued. Use the 2014 Body Repair Manual (MSCD-016B-2014) along with this TSB for complete body repair information for the 2017 Mirage.

AFFECTED VEHICLES

2017 Mirage

AFFECTED SERVICE MANUALS

2017 Mirage Body Repair Manual:

- Group 1 – Body Construction
 - General Description
 - Body Construction Characteristics
 - Stiffener Application Locations
- Group 3 – Welded Panel Replacement
 - General Description
 - Rear End Panel
 - Rear Floor
- Group 6 – Body Color
 - General Description
 - Body Color Charts



GROUP 1

**BODY
CONSTRUCTION**

CONTENTS

GENERAL DESCRIPTION.....	1-2	UNDER BODY.....	1-2
BODY CONSTRUCTION CHARACTERISTICS.....	1-2	STIFFENER APPLICATION LOCATIONS.....	1-2

1-2

**BODY CONSTRUCTION
GENERAL DESCRIPTION**

GENERAL DESCRIPTION

M4010000200998

OUTLINE OF CHANGE

- The section "UNDER BODY" below has been changed.
- The section "STIFFENER APPLICATION LOCATIONS" below has been added.

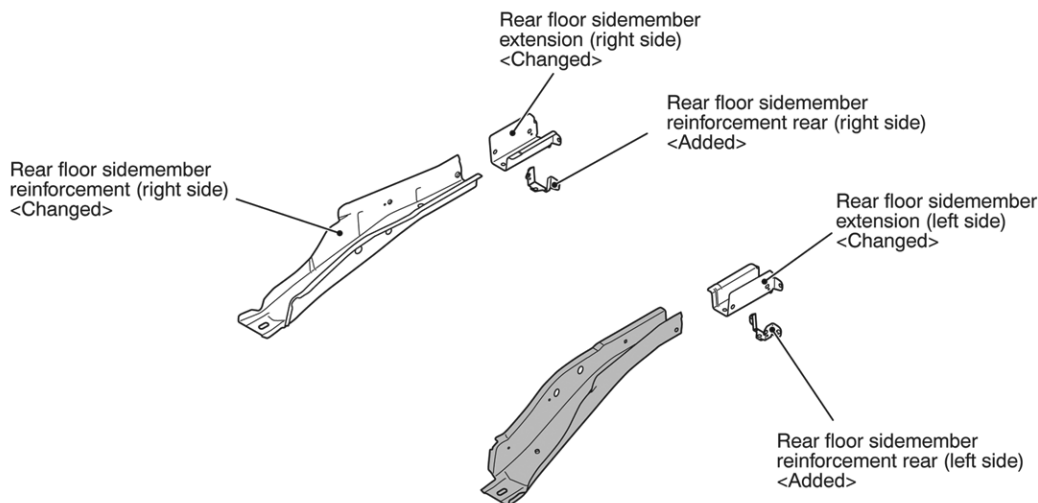
BODY CONSTRUCTION CHARACTERISTICS


UNDER BODY

M4010014001893

REAR FLOOR SIDEMEMBER REINFORCEMENT

The rear floor sidemember reinforcement (right side) and the rear floor sidemember extension (left and right side) has been reshaped. The rear floor sidemember reinforcement rear (left and right side) have been added.

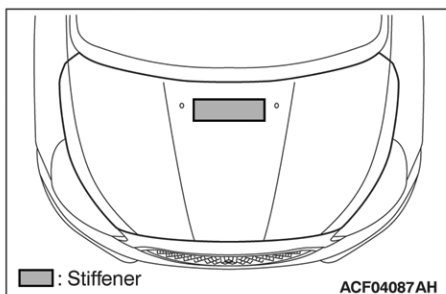


NOTE: : Indicate same parts as for previous models.

ABF00400AC

STIFFENER APPLICATION LOCATIONS

M4010001700156



To increase the surface rigidity, the stiffener has been attached to the hood outer panel.

NOTE:

- The main contents of a stiffener are epoxy resin. It comes in a sheet form and contains a mixture of glass fiber and filler, and cures (stiffens) when heated.
- No spare part of the stiffener for repair is available in the field. If the stiffener is damaged, replace it together with the panel.

GROUP 3

**WELDED PANEL
REPLACEMENT**

CONTENTS

GENERAL DESCRIPTION.....	3-2	REAR FLOOR.....	3-4
REAR END PANEL.....	3-2		

3-2

WELDED PANEL REPLACEMENT
 GENERAL DESCRIPTION

GENERAL DESCRIPTION

M4030000900580

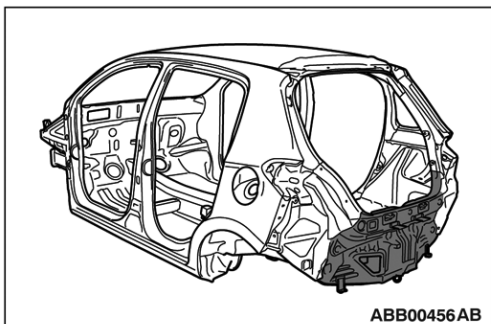
OUTLINE OF CHANGE


The repair procedure for the rear end panel and the rear floor has been revised as the components of the rear floor side member have been changed.

REAR END PANEL

M4030000300232

As the rear floor side member has been changed, the welding points (6 points on the left and right sides) between the rear end panel inner and rear floor side member have been changed. The other service procedures are the same as before.

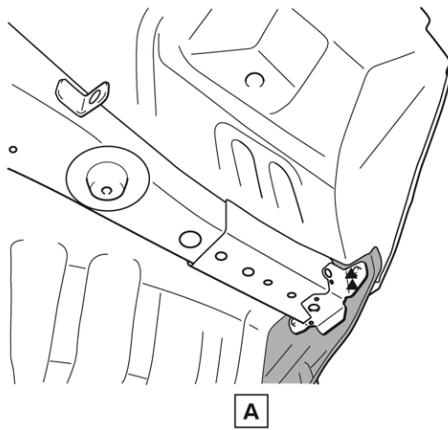
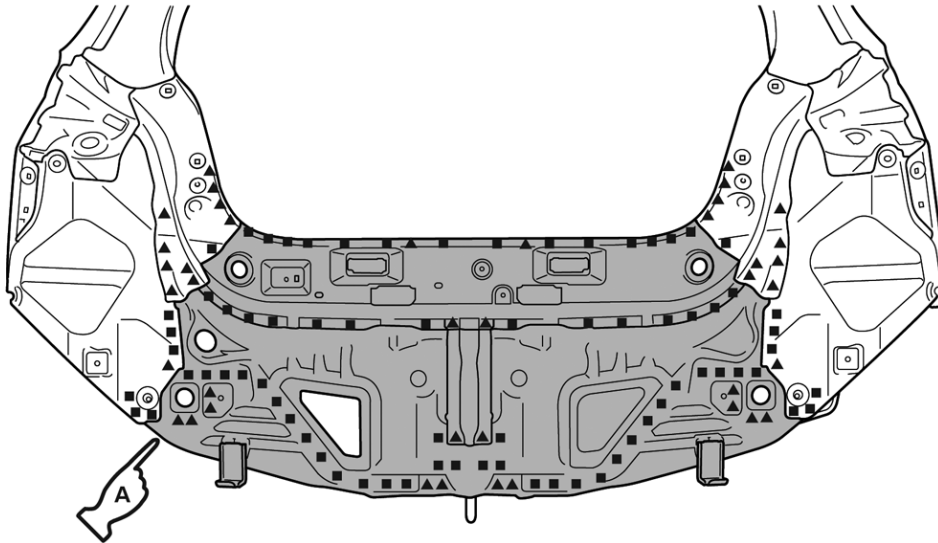


Symbol	Operation description
● ● ● ●	Spot welding
■ ■ ▲ ▲	MIG plug welding (■: indicates two panels to be welded ▲: indicates three panels to be welded)
+ + + +	MIG spot welding
#####	MIG arc welding (continuous)
oooooooo	Braze welding
	Anti-corrosion agent application locations (Use access holes to apply liberally to butt-welded joints.)

WELDED PANEL REPLACEMENT
REAR END PANEL

3-3

REPAIR WELDS



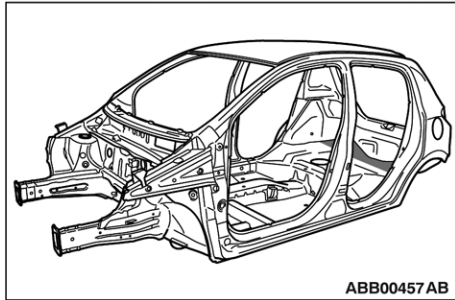
3-4

WELDED PANEL REPLACEMENT
 REAR FLOOR

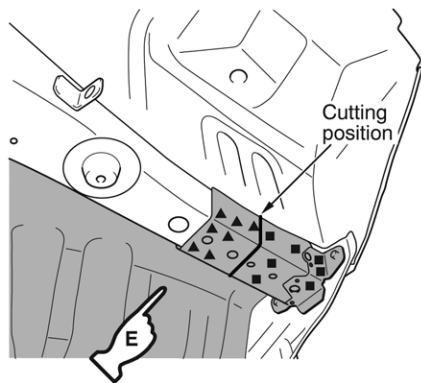
REAR FLOOR

M4030010001581

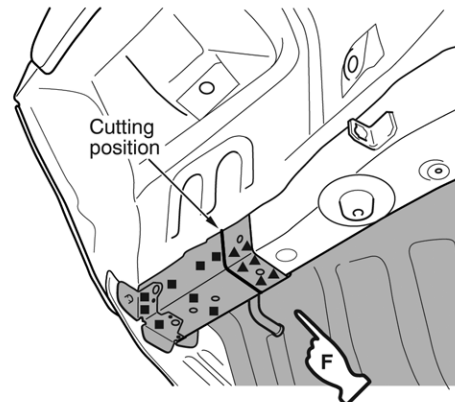
As the components of the rear floor side member have been changed, the welding points have been changed. The other service procedures are the same as before.



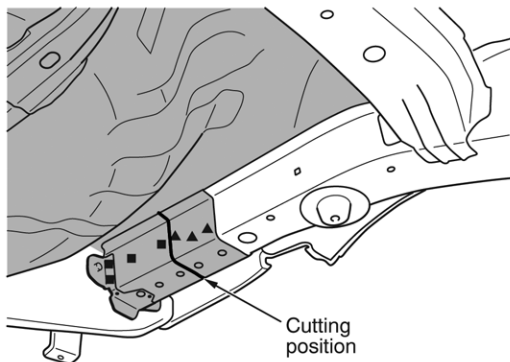
Symbol	Operation description
● ● ● ●	Spot welding
■ ■ ▲ ▲	MIG plug welding (■: indicates two panels to be welded ▲: indicates three panels to be welded)
++++	MIG spot welding
#####	MIG arc welding (continuous)
○○○○○○	Braze welding
	Anti-corrosion agent application locations (Use access holes to apply liberally to butt-welded joints.)



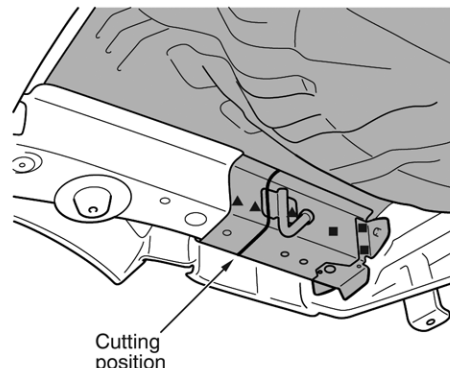
C



D



E



F

ABF00413AB

NOTE: Refer to the Rear End Panel section on P.3-2 for the welding points with the rear end panel.

GROUP 6

BODY COLOR

CONTENTS

GENERAL DESCRIPTION.....	6-2	BODY COLOR CHARTS	6-2
---------------------------------	------------	--------------------------------	------------

6-2

**BODY COLOR
 GENERAL DESCRIPTION**

GENERAL DESCRIPTION

M4060000201413

OUTLINE OF CHANGE

The section "BODY COLOR CHARTS" below has been established.

BODY COLOR CHARTS

M4060002004782

Check the vehicle's body color code, and then use this body color chart to determine the refinishing paint supplier from which the color can be purchased.

Color	Color code	Color number	Color name	Coating film structure	Composition of film
SILVER	A66	CSA10066	Cool Silver Metallic	2M	Metallic
ORANGE	M09	CSM10009	Sunrise Orange Metallic	2M	Metallic
RED	P19	CSP10019	Red Metallic	2M	Metallic
BLUISH RED	P57	CSP10057	Wine Red Pearl	2P	Pearl
MEDIUM BLUE	T69	CST10069	Cerulean Blue Mica	2P	Pearl
GREY	U17	CMU10017	Titanium Grey Metallic	2M	Metallic
WHITE	W54	CSW10054	White Pearl	3P	Pearl
BLACK	X08	AC11008	Black Mica	2P	Pearl

NOTE:

- The coating film structure indicates top coating only (2M: 2 coat metallic, 2P: 2 coat pearl, 3P: 3 coat pearl).
- For painting, inner panel colors should be similar to the outer panel colors.