

## Driveshaft Flange and Oil Seal for Spare Parts Supply

**Affected Models:** All 4WD SX4 (RW420) Models

**Affected Departments:** Management, Service, Warranty, Parts

An improved driveshaft flange and differential side oil seal is now available for all model years of the 4WD SX4 (RW420) vehicle.

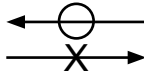
These new parts have been designed to improve prevention of corrosion to the driveshaft flange seal and driveshaft flange. Corrosion has been identified on vehicles driven in severe winter conditions, such as driving on roads with de-icing agents.

For details, see the information below and on the following page.

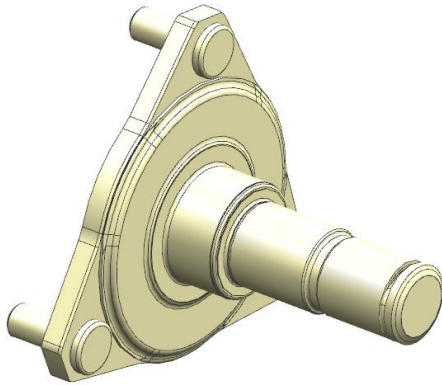
*If visual inspection reveals corrosion on the driveshaft flange as shown here, the oil seal lip might be damaged.*

*Replace both the driveshaft flange and oil seal with the new parts listed in this Technical Service Bulletin.*

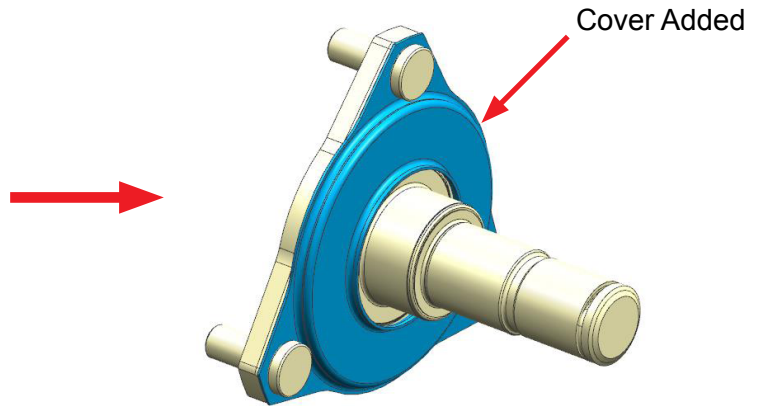


Part Description	Early PN	New PN	Interchangeability
Flange Comp, Driveshaft	27780-79J02	27780-79J10	Early ←  New
Seal, Oil	09283-35060	09283-35064	

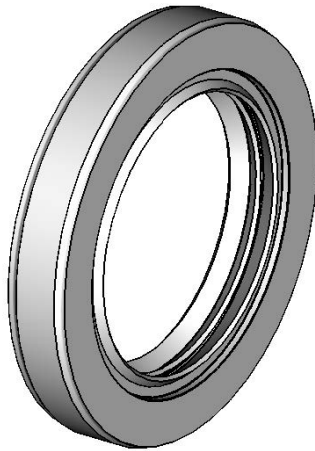
**Flange Comp, Driveshaft**  
**EARLY PART**



**Flange Comp, Driveshaft**  
**NEW PART**



**Seal, Oil**  
**EARLY PART**



**Seal, Oil**  
**NEW PART**

