

Date	Expiration	Release	Page
09.2016	09.2018	2	1(6)

Initial Release: .

SUNSHADE RETRACT END OF COURSE DAMPER

Prevost vehicles

DESCRIPTION

On the vehicles affected by this bulletin, add dampers to the driver's sunshades guides to ease the end course on sunshade retract.

MODEL YEAR(S) AND VEHICLES INVOLVED

NOTICE TO SERVICE CENTERS		
Verify vehicle eligibility by checking warranty bulletin status with SAP or via ONLINE WARRANTY SYSTEM available on Service / Warranty tab of Prevost website.		
Model	VIN	Fleet Number
X3-45 Commuter Model Year : 2015 - 2016	From 4RKG33497 F9737001 up to 4RKG33491 G9737299 incl.	From 2492 up to 2789, incl.
This bulletin does not necessarily apply to all the above-mentioned vehicles, some vehicles may have been modified before delivery. The owners of the vehicles affected by this bulletin will be advised by a letter indicating the Vehicle Identification Number (VIN) of each vehicle concerned.		

MATERIAL NEEDED

Order kit # 400260 which includes the following parts:

Part No.	Description	Qty
504030	COLLAR, 6MM SHAFT W/ SCREWS	4
504033	BELLOWS, RUBBER 1/4X5/8X15/16	4

Other parts that may be required:

Part No.	Description	Qty
685072	Loctite 242 Threadlocker	A/R
900438	Mirror Assembly	1
900440	Mirror safety glass	1
5001155	Screw, #8 x 3/4	A/R

Date	Expiration	Release	Page
09.2016	09.2018	2	2(6)

5001091	Screw, #4-40 x 1/4	A/R
407655	Guide rod left	1
406473	Guide rod, center pillar	2
407656	Guide rod, right	1
401060	GUIDE SUPPORT "Z"	1
401059	GUIDE SUPPORT "L"	1

NOTE

Material can be obtained through regular channels.

PROCEDURE



DANGER

Park vehicle safely, apply parking brake, stop engine. Prior to working on the vehicle, set the ignition switch to the OFF position and trip the main circuit breakers equipped with a trip button. On Commuter type vehicles, set the battery master switch (master cut-out) to the OFF position.

Date	Expiration	Release	Page
09.2016	09.2018	2	3(6)

OVERVIEW

Four rubber dampers need to be added to the guide rods on the front sunshades of the vehicle.

They are fixed to the guide rod by a split collar.

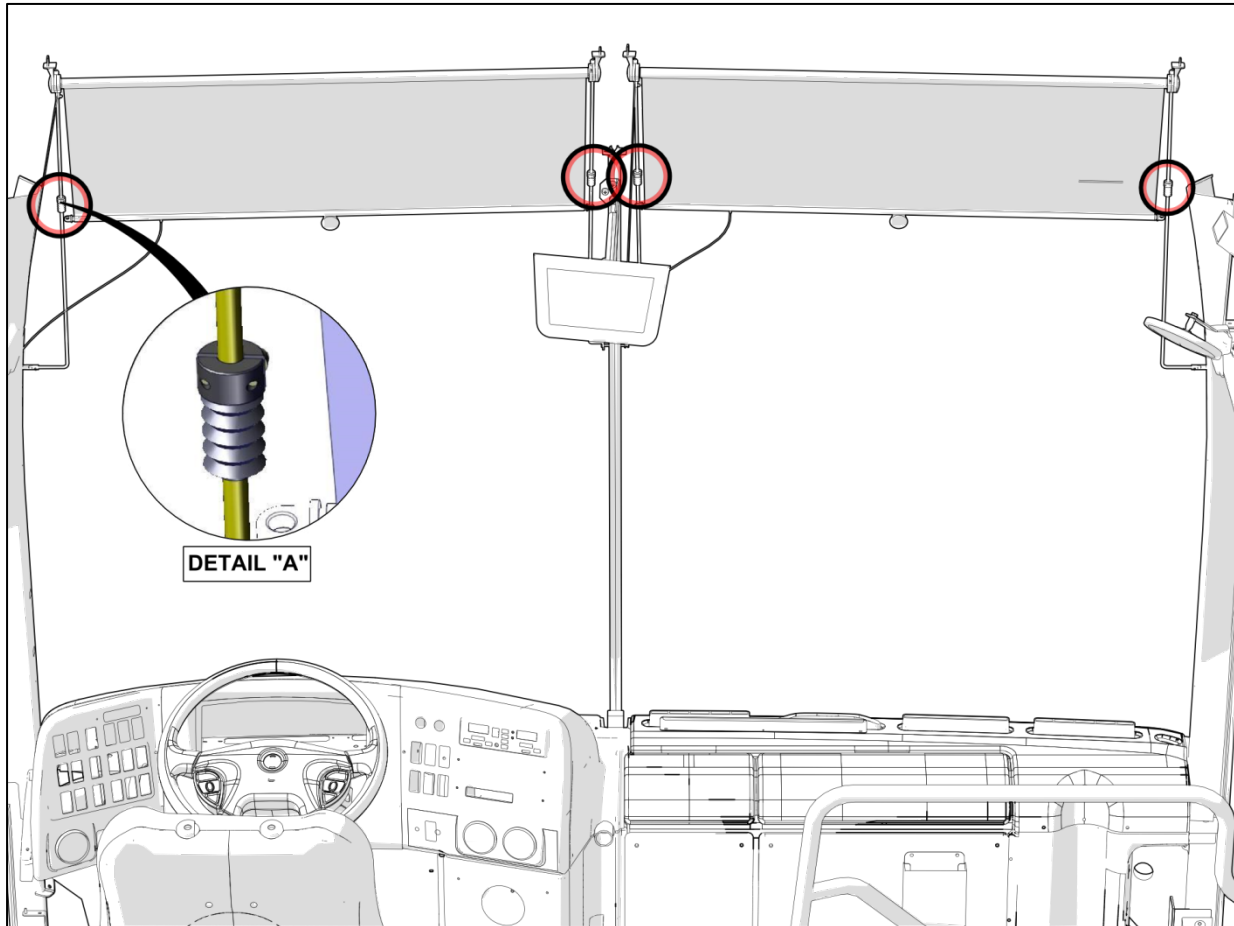


Figure 1

1. Remove the four guide rods.
2. Inspect the guide rods. If they are bent or damaged, replace as required. Refer to part list and Fig. 2 for hardware and guide rod part numbers.

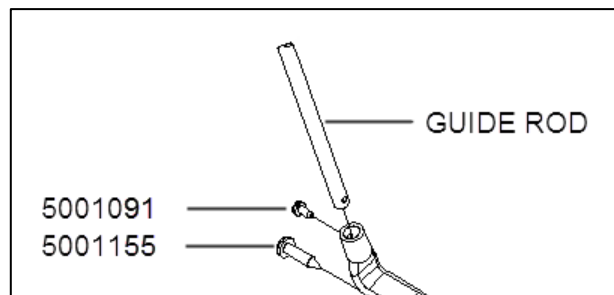


Figure 2

Date	Expiration	Release	Page
09.2016	09.2018	2	4(6)

- Slide-on bellows **#504033** above the sunshade guide bushing. (Fig. 3)
- Reinstall the sunshades and rods making sure they are well inserted.



Figure 3

- Inspect the release cord. Attach it to the anchor point if loose. (Fig. 4)

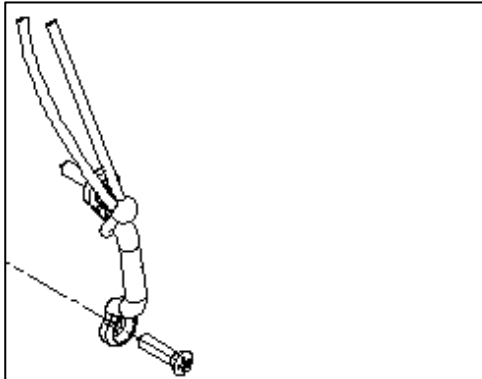


Figure 4

- Collar **#504030** is split in two parts with two screws to secure the assembly. (Fig.5)
Use it to position bellows **#504033** on the guide rod.

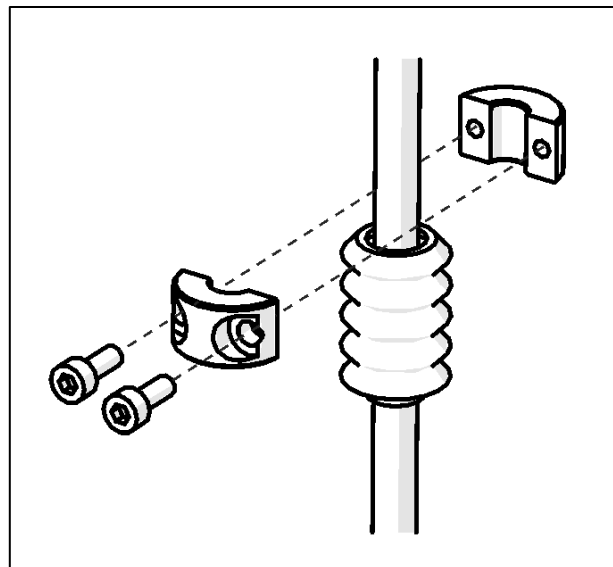


Figure 5

Date	Expiration	Release	Page
09.2016	09.2018	2	5(6)

- Place the collar so that the bottom of the sunshade is at the same height as the destination sign. Tighten temporarily. (Fig. 6)
- Repeat on each of the 4 rods.



Figure 6

- Perform a few tests by extending and retracting the sunshades.
- Once satisfied, perform final assembly with Loctite 242.
- Inspect the driver's side sunshade to make sure guide rods and supports are in good condition.
- Finally, inspect the center mirror. Replace the glass with **#900440** if it is cracked. (Fig. 7)
- Make sure mirror is tight and retains its position after adjustment. If required, replace by **#900438**

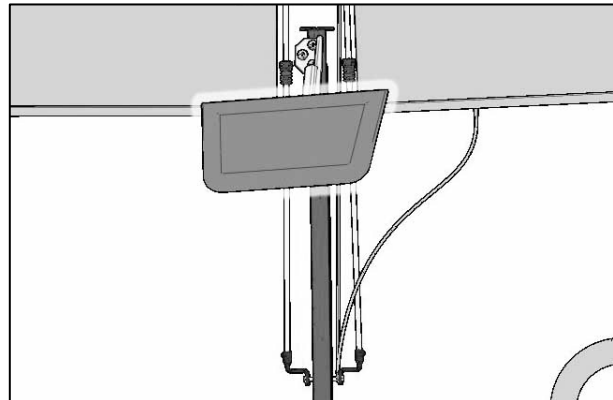


Figure 7

Date	Expiration	Release	Page
09.2016	09.2018	2	6(6)

PARTS / WASTE DISPOSAL

Discard waste according to applicable environmental regulations (Municipal/State[Prov.]/ Federal)

ESTIMATED TIME

The time required to perform this special bulletin is approximately 45 minutes.

OTHER

VBC Bulletin	N/A
Fail Code	23.12
Defect Code	09
System Condition	B
Causal Part	405080

Prevost engages in a continuous program of testing and evaluating to provide the best possible product. Prevost, however, is not committed to, or liable for updating existing products.