



Service Bulletin

File in Section: -

Bulletin No.: 16-NA-153

Date: July, 2016

INFORMATION

Subject: Compressed Natural Gas (CNG) Fuel Line Inspection and Replacement Part Identification

Brand:	Model:	Model Year:		VIN:		Engine:	Transmission:
		from	to	from	to		
Chevrolet, GMC	Express, Savana	2011	2015			6.0L (LC8)	All

Involved Region or Country	North America
Additional Options (RPO)	LC8, DNS, FHZ, (Optional UFP)
Condition	Technicians may now order service kits as well as individual fuel tank lines and hoses for CNG equipped vans.

Information

The purpose of this bulletin is to show the "1st design" and "2nd design" CNG fuel lines, as well as the availability of new service kits.

Service kits are being made available for repair or replacement of CNG fuel tank hardware. Kits will include required parts as needed such as O-rings, clips, nuts or brackets.



4514971

- Vehicles equipped with 1st design hoses (1) (black covering) will need to obtain kits for the appropriate tank or component.

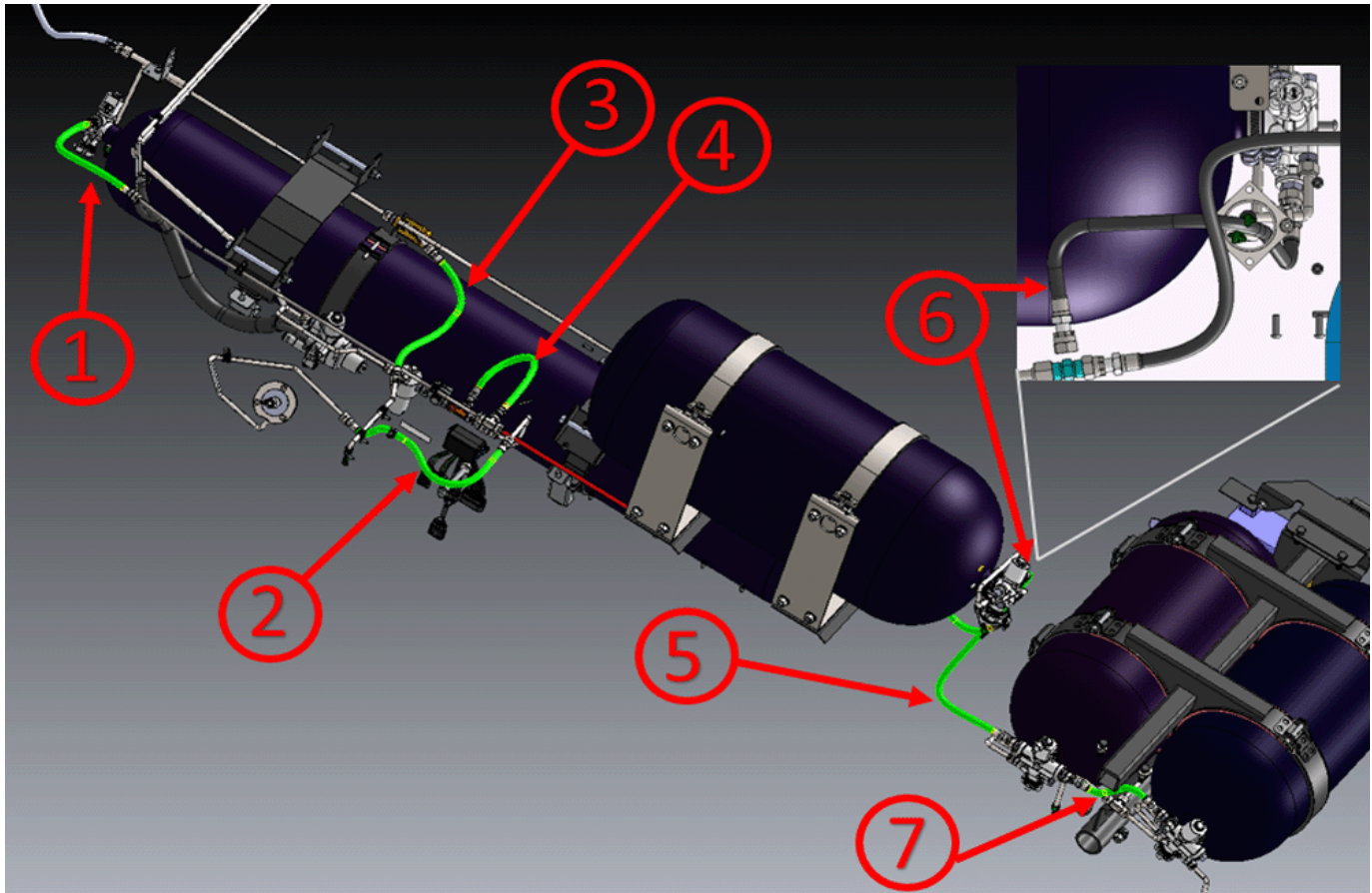
- Vehicles equipped with 2nd design hoses (2) (braided covering) will use individual lines for service components.

Refer to *CNG Fuel Feed Hose Inspection* in SI for line inspection procedures.

Refer to the Electronic Parts Catalog (EPC) for the correct individual replacement part for 2nd design vehicles.

Note: 1st design lines should only be refitted with 2nd design lines if needed due to damage or failure. 1st design lines do not need to be replaced under normal operation.

Parts Information - Kits



4514961

Refer to this Parts Information table for the correct replacement kit for 1st design vehicles.

Description	Part Number	Qty
<input type="checkbox"/> Kit - Mid Ship 135" Cargo	84075601	1
<input type="checkbox"/> Kit - Mid Ship 155" Passenger with Rear Heat and Air (C69)	19353805	1
<input type="checkbox"/> Kit - Fill Line	84075598	1
<input type="checkbox"/> Kit - Mid Ship PRD Vent Line	84075605	1

Description	Part Number	Qty
<input type="checkbox"/> Regulator Line	84055536	1
<input type="checkbox"/> Kit - Fitting to Aft Tanks	84075606	1
<input type="checkbox"/> Kit - Cargo Tank Line (LC8 & DNS & FHZ & UFP)	19353804	1
<input type="checkbox"/> Aft Tank Connector Line	84055534	1

Version	1
Modified	

GM bulletins are intended for use by professional technicians, NOT a "do-it-yourselfer". They are written to inform these technicians of conditions that may occur on some vehicles, or to provide information that could assist in the proper service of a vehicle. Properly trained technicians have the equipment, tools, safety instructions, and know-how to do a job properly and safely. If a condition is described, DO NOT assume that the bulletin applies to your vehicle, or that your vehicle will have that condition. See your GM dealer for information on whether your vehicle may benefit from the information.



WE SUPPORT VOLUNTARY
TECHNICIAN
CERTIFICATION