

May 6, 2015

01597 Version 1

Driver's and/or Front Passenger's Seat Cushion and Recline Covers Are Loose

AFFECTED VEHICLES

Year	Model	Trim	VIN range
2014–15	RLX	ALL	ALL
2014	RLX Sport Hybrid	ALL	ALL

SYMPTOM

The driver's and/or front passenger's seat cushion and recline covers separate at the tabs on one or both seats.

POSSIBLE CAUSES

The seat cushion presses into the covers, causing them to separate.

CORRECTIVE ACTION

Replace the driver's and/or front passenger's seat cushion and recline covers, and adjust the seat bracket if needed.

PARTS INFORMATION

Description	Part Number	Quantity	Color Label
Driver's Seat Recline Cover (YR422L)	81638-TY2-A02ZA	1	Off-White
Driver's Seat Cushion Cover (YR422L)	81510-TA0-A71ZR	1	
Front Passenger's Seat Recline Cover (YR422L)	81238-TY2-A02ZA	1	
Front Passenger's Seat Cushion Cover (YR422L)	81110-TA0-A71ZN	1	
Driver's Seat Recline Cover (NH-802L)	81638-TY2-A02ZB	1	Gray
Driver's Seat Cushion Cover (NH-802L)	81510-TA0-A71ZS	1	
Front Passenger's Seat Recline Cover (NH-802L)	81238-TY2-A02ZB	1	
Front Passenger's Seat Cushion Cover (NH-802L)	81110-TA0-A71ZP	1	
Driver's Seat Recline Cover (NH-690L)	81638-TY2-A02ZC	1	Black
Driver's Seat Cushion Cover (NH-690L)	81510-TA0-A71ZL	1	
Front Passenger's Seat Recline Cover (NH-690L)	81238-TY2-A02ZC	1	
Front Passenger's Front Seat Cushion Cover (NH-690L)	81110-TA0-A71ZQ	1	

CLIENT INFORMATION: The information in this bulletin is intended for use only by skilled technicians who have the proper tools, equipment, and training to correctly and safely maintain your vehicle. These procedures should not be attempted by "do-it-yourselfers," and you should not assume this bulletin applies to your vehicle, or that your vehicle has the condition described. To determine whether this information applies, contact an authorized Acura automobile dealer.

WARRANTY CLAIM INFORMATION

The normal warranty applies.

Operation Number	Description	Color Label	Flat Rate Time	Template ID	Failed Part Number
8591A0	Replace the driver's cushion covers.	Off-White	0.5 hr	15-015N	81638-TY2-A01ZA
8611A0	Replace the front passenger's cushion covers.		0.5 hr	15-015P	
8591A0	Replace the driver's cushion covers.	Gray	0.5 hr	15-015Q	
8611A0	Replace the front passenger's cushion covers.		0.5 hr	15-015R	
8591A0	Replace the driver's cushion covers.	Black	0.5 hr	15-015S	
8611A0	Replace the front passenger's cushion covers.		0.5 hr	15-015T	

Defect Code: 00504

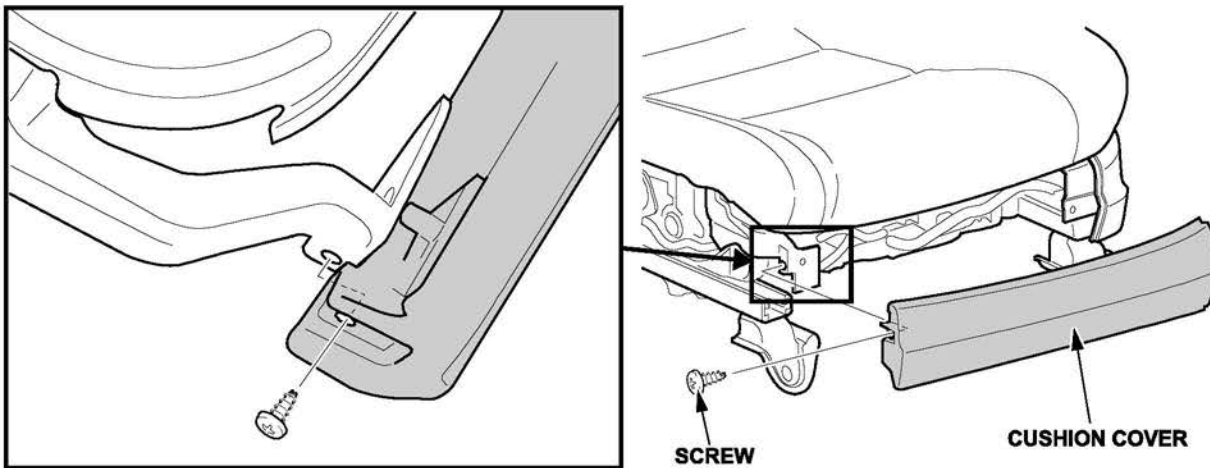
Symptom Code: 02101

Skill Level: Repair Technician

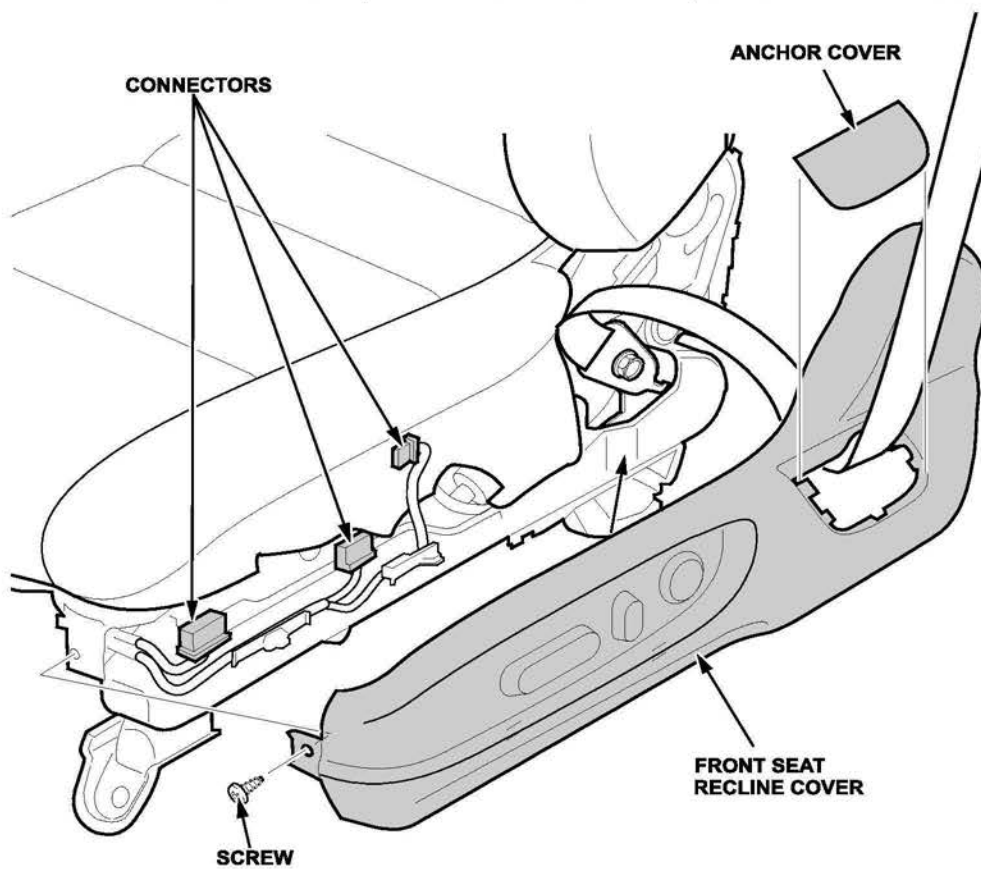
REPAIR PROCEDURE

Note: Driver's seat is shown; passenger's seat is similar.

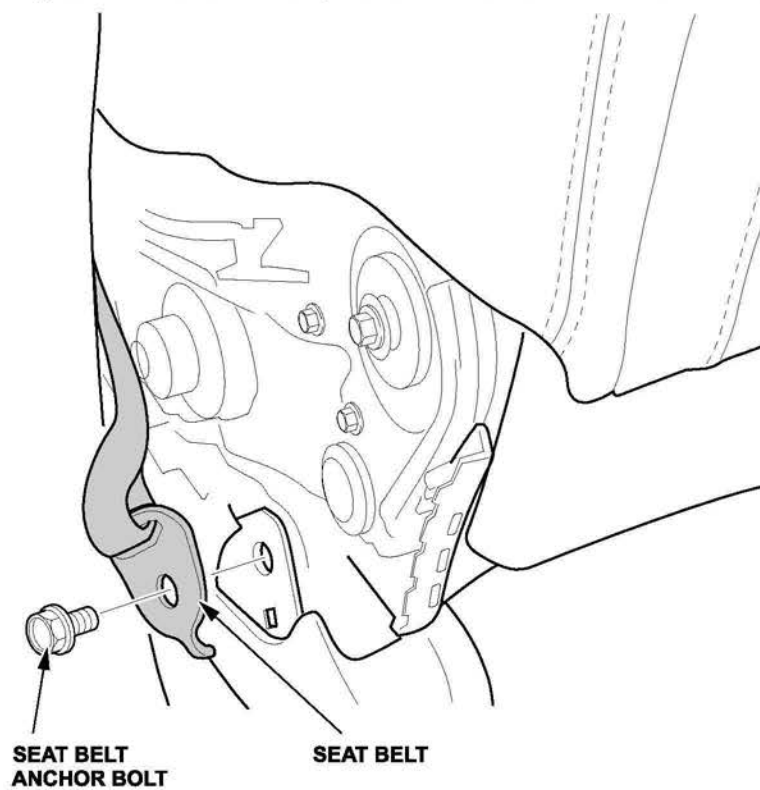
1. Remove the cushion cover.



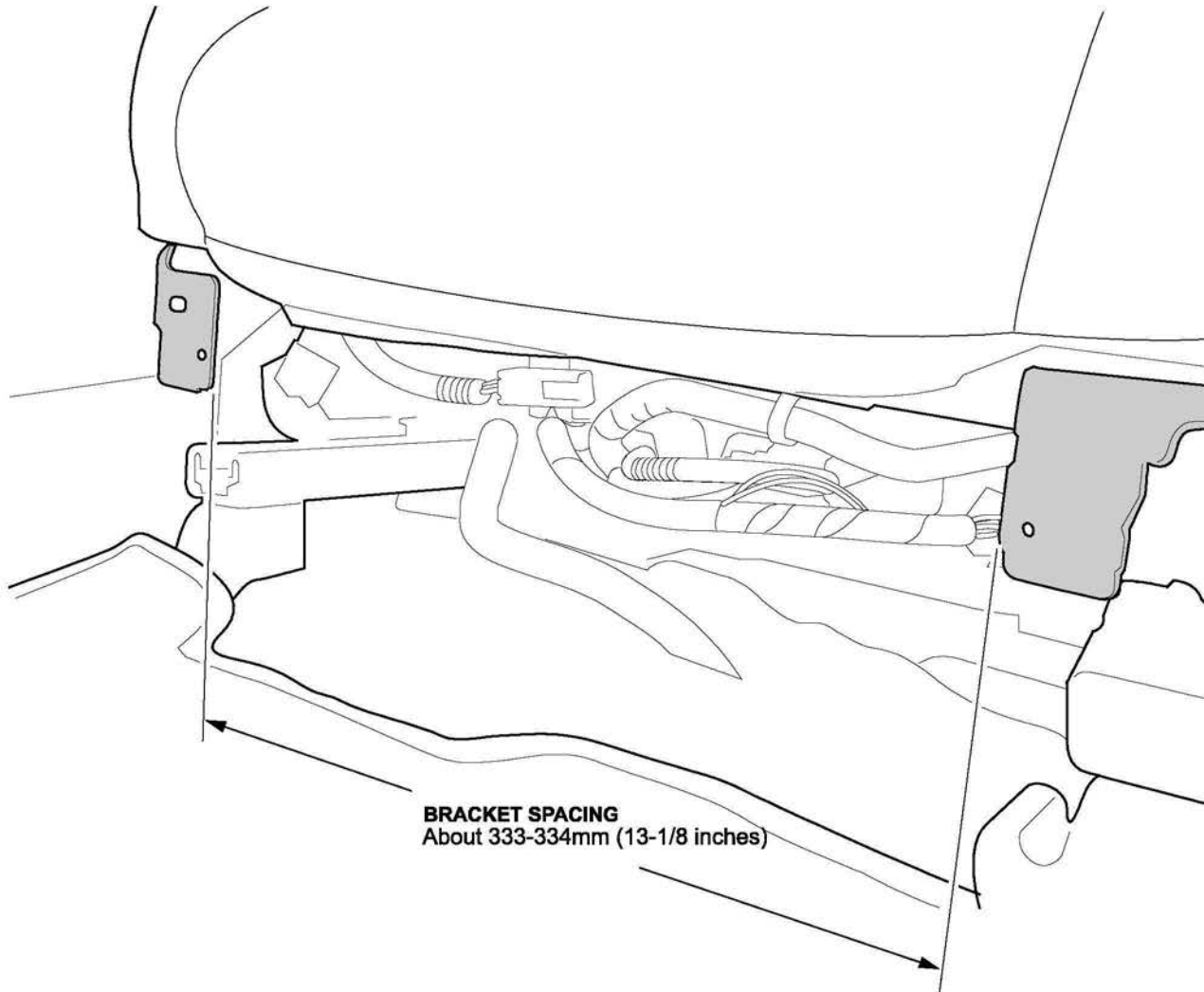
2. Remove the recline cover, disconnect the connectors, and remove the seat belt anchor cover.



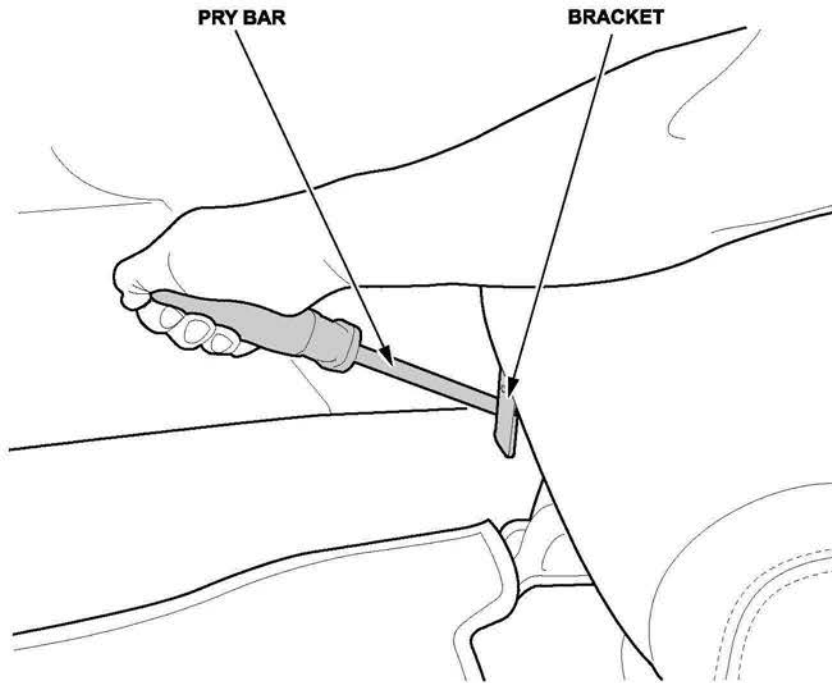
Adjust the seat to the rear position and remove the seat belt anchor bolt.



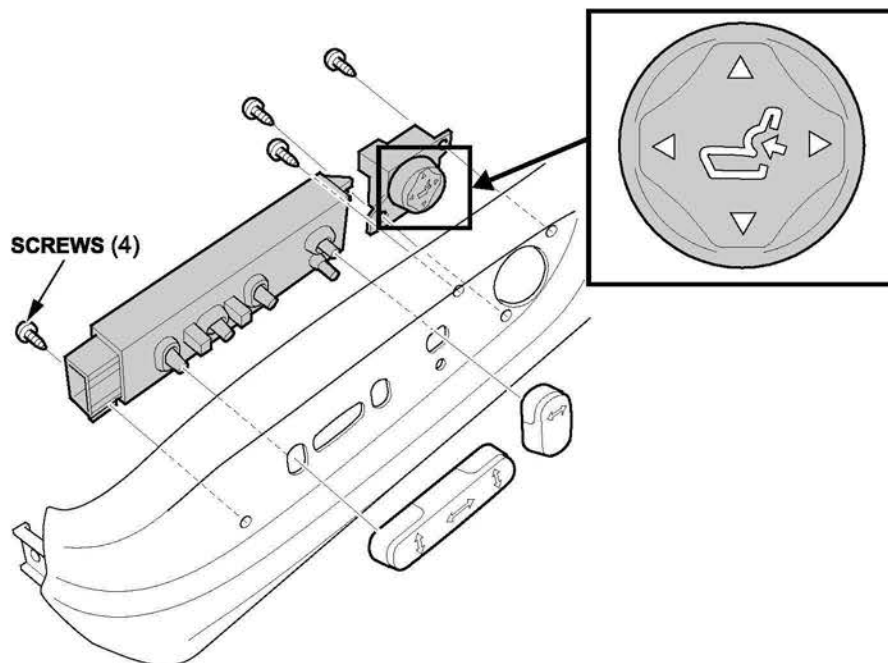
3. Check the spacing of the two brackets holding the cushion cover. The distance should measure about 333–334 mm (13-1/8 inches).
- If the distance between the seat brackets is correct, go to step 6.
 - If the distance between the seat brackets is not correct, go to step 5.



4. Adjust the distance between the seat bracket and center console with a pry bar. Once the bracket measures about 333–334mm (13-1/8 inches) go to step 6.



5. Remove the switches from the recline cover and install them on to the new recline cover. Make sure the switches are installed correctly as shown.



6. Reconnect the connectors and reinstall the front seat cushion covers. Reinstall the seatbelt anchor bolt and torque it to **40 N·m (30 lb-ft)**.
7. Repeat steps 1 through 7 for the other side if needed.

END.