

TECHNICAL BULLETIN
LTB00846NAS1
25 NOV 2015



© Jaguar Land Rover North America, LLC

NOTE: The information in Technical Bulletins is intended for use by trained, professional Technicians with the knowledge, tools, and equipment required to do the job properly and safely. It informs these Technicians of conditions that may occur on some vehicles, or provides information that could assist in proper vehicle service. The procedures should not be performed by 'do-it-yourselfers'. If you are not a Retailer, do not assume that a condition described affects your vehicle. Contact an authorized Land Rover service facility to determine whether this bulletin applies to a specific vehicle.

SECTION: 501-05

Front/Rear Door Interior Trim Panel Detached

AFFECTED VEHICLE RANGE:

Discovery Sport (LC)

Model Year: 2015-2016
VIN: 500429-554300
Manufacturing Plant: Halewood

Discovery Sport (LC)

Model Year: 2015-2016
VIN: 500429-566509
Manufacturing Plant: Halewood

MARKETS:

NAS

CONDITION SUMMARY:

Situation: The front and/or rear door interior trim panel(s) may become detached from the door.

Cause: This may be caused when the load applied to the door trim during door closure exceeds the existing clip capability, causing the door trim panel to become detached. Lantern clip part number LR044885 has a higher retention value and is to be fitted to the areas where the extra pull of force is exerted.

Action: Should a customer express this concern, follow the appropriate Service Instruction (A or B) below. Complete this action on all vehicles exhibiting this issue within the Vehicle Identification Number (VIN) range and on all vehicles, also in the VIN range, that have had the door trim panel removed.

PARTS:

LR044885	Lantern Clip	Quantity: 2
LR013135	Trim Clip	Quantity: 20

TOOLS:

Refer to Workshop Manual for any required special tools.

WARRANTY:

 **NOTE: Repair procedures are under constant review, and therefore times are subject to change; those quoted here must be taken as guidance only. Always refer to TOPIx to obtain the latest repair time.**

 **NOTE: DDW requires the use of causal part numbers. Labor only claims must show the causal part number with a quantity of zero.**

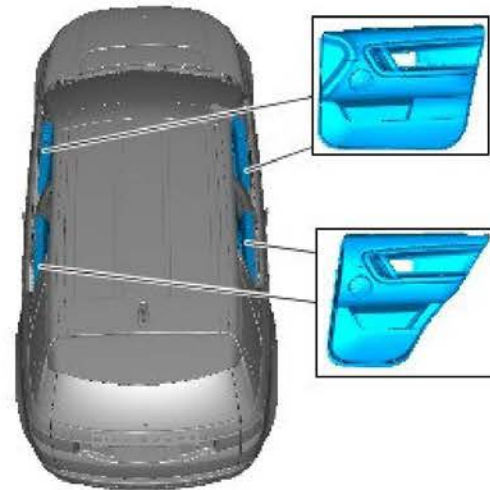
DESCRIPTION	SRO	TIME (HOURS)	CONDITION CODE	CAUSAL PART
Trim panel - Front door - Left - Renew	76.34.01	0.4	07	LR064207

Trim panel - Front door - Right - Renew	76.34.17	0.4	07	LR064207
Trim panel - Rear door - Renew	76.34.04	0.3	07	LR064207

 **NOTE: Normal Warranty procedures apply.**

COMPONENT LOCATION

1 Component location.



E185592

SERVICE INSTRUCTION A

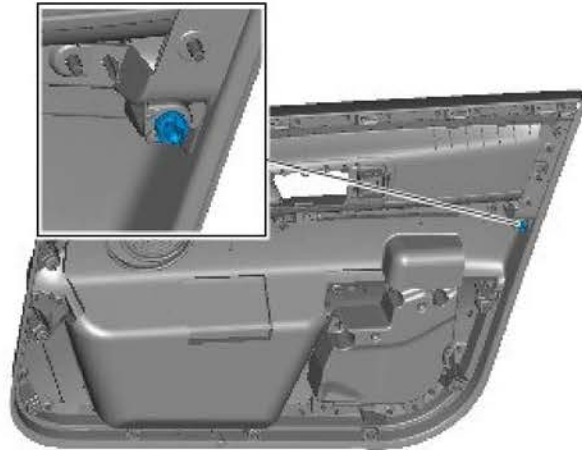
SERVICE INSTRUCTION 'A' applicable to front doors on vehicles within the VIN range 500429-554300 only.

1 Remove the front right door interior trim panel (see TOPIx Workshop Manual section: 501-05: Interior Trim and Ornamentation).

2  **NOTE: front right door interior trim panel shown; front left door interior trim panel similar.**

Remove and discard the lantern clip.

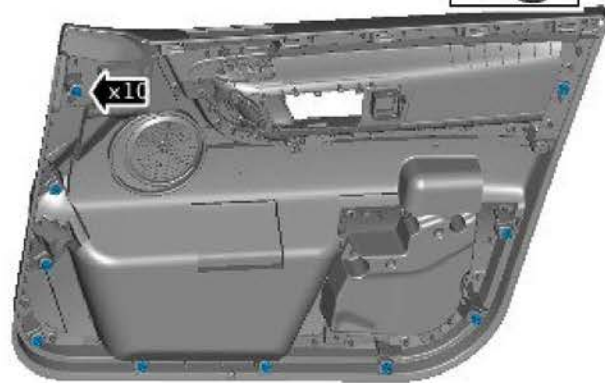
- Install the new 'orange' clip.



E184763

- 3  **NOTE: front right door interior trim panel shown; front left door interior trim panel similar.**

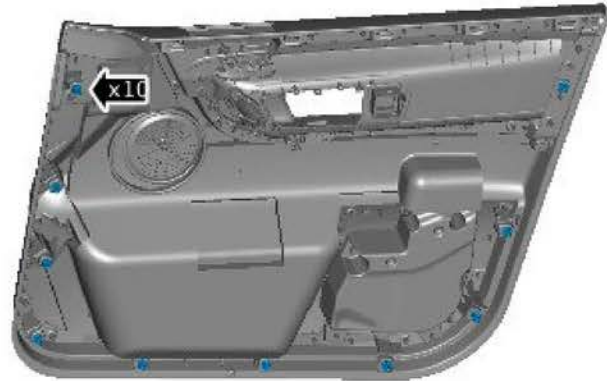
Remove and discard the 10 remaining clips from the door trim.



E184764

- 4  **NOTE: front right door interior trim panel shown; front left door interior trim panel similar.**

Fit the 10 new clips to the door trim.



E184770

5 Install the front right door interior trim panel (see TOPIx Workshop Manual Section: 501-05: Interior Trim and Ornamentation).

6 Repeat Steps 1-5 front left door interior trim panel.

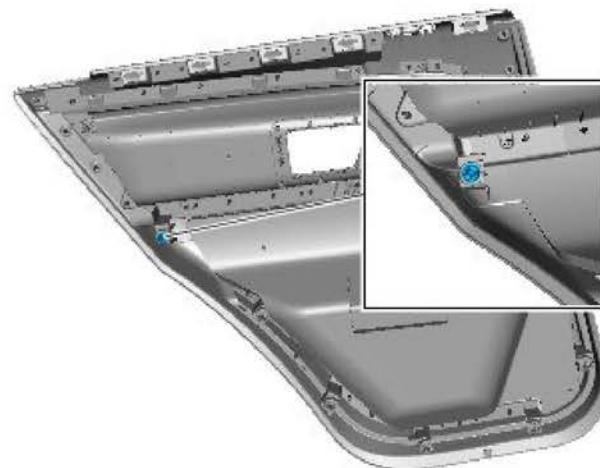
SERVICE INSTRUCTION B

SERVICE INSTRUCTION 'B' applicable to rear doors on vehicles within the VIN range 500429-566509 only.

1 Remove the rear right door interior trim panel (see TOPIx Workshop Manual, section: 501-05: Interior Trim and Ornamentation).

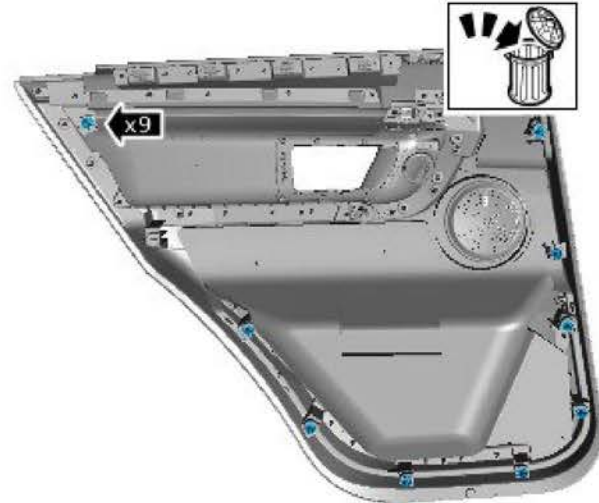
2  **NOTE: rear right door trim panel shown; rear left door trim panel similar.**

Remove and discard the lantern clip and install the new 'orange' clip.



E185593

3 Remove and discard the nine remaining clips from the door trim.



E185594

4 Fit the nine new clips to the door trim.



E185595

5 Install the rear right door trim panel (see TOPIx Workshop Manual, section: 501-05: Interior Trim and Ornamentation).

6 Repeat Steps 1-5 on the rear left door trim panel.