

TECHNICAL BULLETIN

LTB00819NAS1

15 SEP 2015



© Jaguar Land Rover North America, LLC

NOTE: The information in Technical Bulletins is intended for use by trained, professional Technicians with the knowledge, tools, and equipment required to do the job properly and safely. It informs these Technicians of conditions that may occur on some vehicles, or provides information that could assist in proper vehicle service. The procedures should not be performed by 'do-it-yourselfers'. If you are not a Retailer, do not assume that a condition described affects your vehicle. Contact an authorized Land Rover service facility to determine whether this bulletin applies to a specific vehicle.

SECTION: 309-00A

'Rattle' Noise From Exhaust System Heat Shield

AFFECTED VEHICLE RANGE:

Discovery Sport (LC)

Model Year: 2015

VIN: 502245-537816

Manufacturing Plant: Halewood

MARKETS:

NAS

CONDITION SUMMARY:

Situation: A 'rattle' noise from the underside of the vehicle may be evident from the exhaust system heat shield(s).

Cause: This may be caused by retaining fixings having been deleted due to a clash with the exhaust system silencer mounting bracket.

Action: Should a customer express this concern, follow the Diagnostic Procedure, to verify the source of the rattle, and Service Instruction below.

PARTS:

AYH100790	Fixing clip	Quantity: 1
LR010155	Screw	Quantity: 1

TOOLS:

Refer to Workshop Manual for any required special tools.

WARRANTY:

 **NOTE: Repair procedures are under constant review, and therefore times are subject to change; those quoted here must be taken as guidance only. Always refer to TOPIx to obtain the latest repair time.**

 **NOTE: DDW requires the use of causal part numbers. Labor only claims must show the causal part number with a quantity of zero.**

DESCRIPTION	SRO	TIME (HOURS)	CONDITION CODE	CAUSAL PART
Install fixing & clip to heat shields	05.10.20	0.2	25	LR067134

 **NOTE: Normal Warranty procedures apply.**

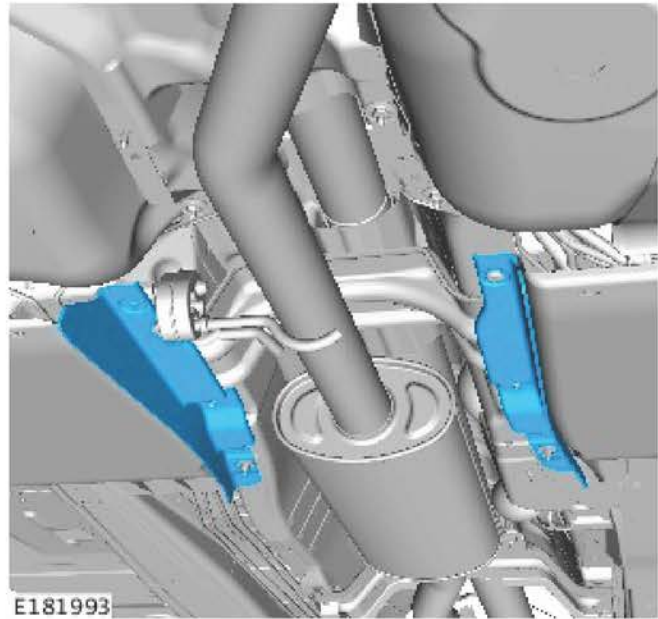
DIAGNOSTIC PROCEDURE:

1  **WARNING: make sure to support the vehicle with axle stands.**

Raise and support the vehicle (see TOPIx Workshop Manual section 100-02: Jacking and Lifting).

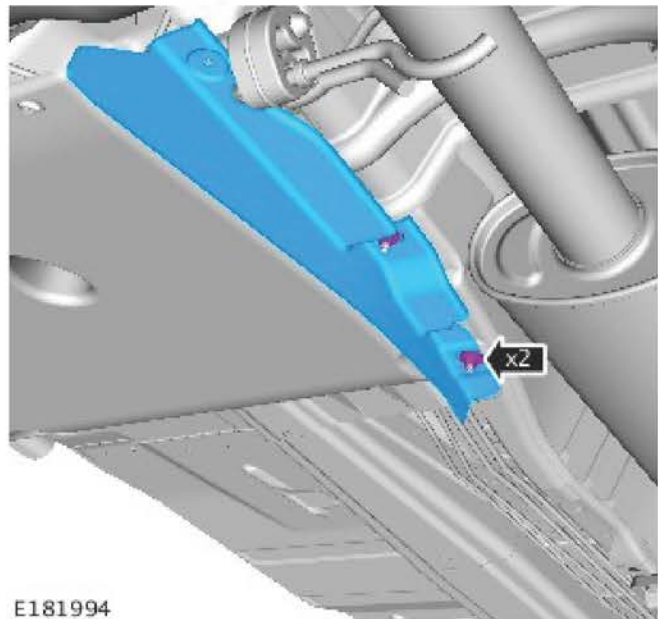
2Verify rattle is from one or both of the exhaust system heat shields.

- If the rattle is from one or both of the exhaust system heat shields, continue to the Service Instruction outlined below.
- If the rattle is not from either of the exhaust system heat shields, rectify as necessary. To be carried out as a separate claim.
 - Continue to the Service Instruction outlined below.

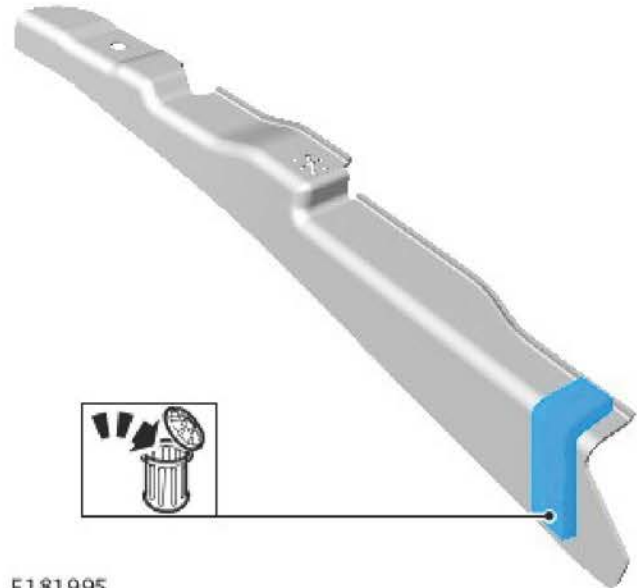


SERVICE INSTRUCTION:

1Remove the **left-hand** heat shield.



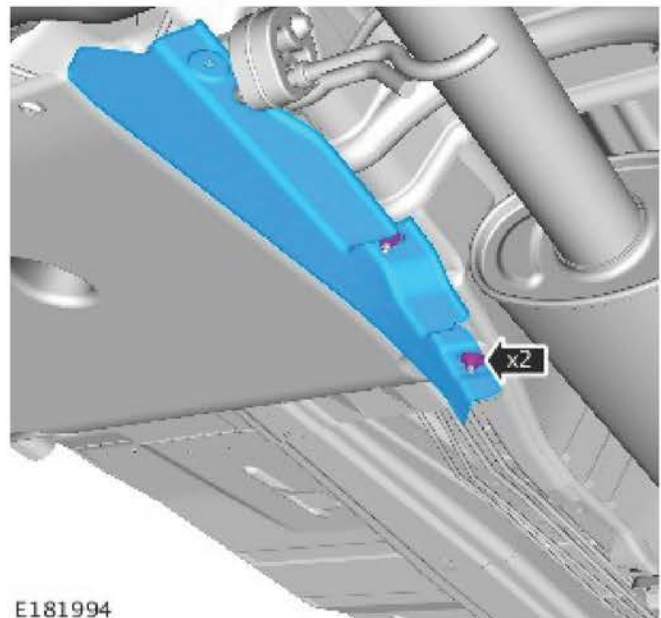
2Remove and discard the black foam pad from the **left-hand** heat shield.



E181995

3 Install the **left-hand** side heat shield.

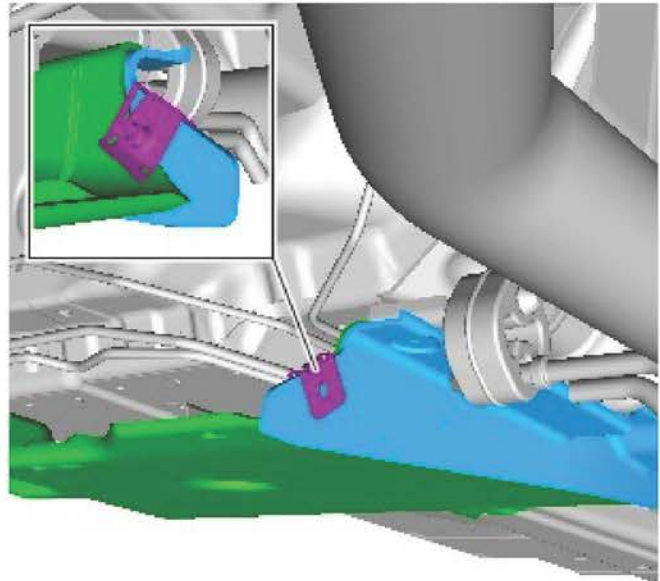
- Torque: 2 Nm



E181994

4  **NOTE: align the clip to the heat shield and at the top rear edge.**

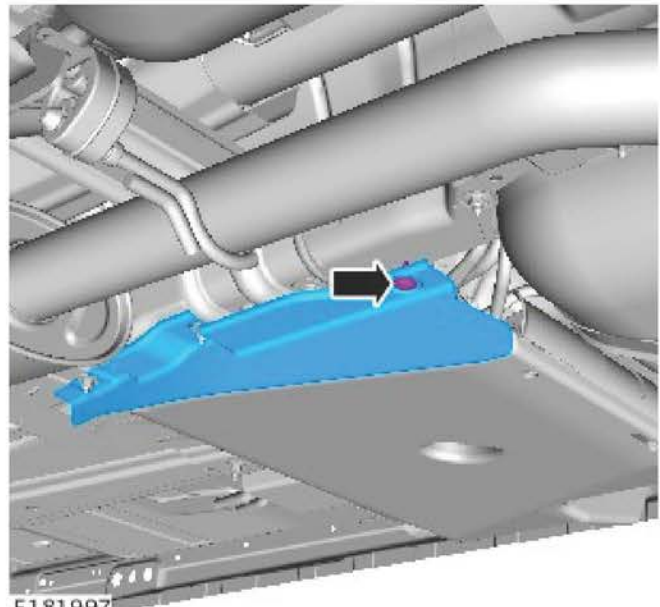
Secure the rear of the **left-hand** heat shield to the undershield with the retaining clip.



E181996

5 Install the **right-hand** heat shield retaining screw.

- Torque: 2 Nm



E181997

6 Lower the vehicle.