

Subject: SQUEAK NOISE FROM WINDSHIELD WIPER LINK	Bulletin No: 09-010/15
	Last Issued: 12/18/2015

BULLETIN NOTE

- This bulletin supersedes the previous bulletin 09-010/15 issued on 03/16/15 and 03/20/15 09-050/14 issued on 12/12/15. The PART(S) INFORMATION and WARRANTY INFORMATION have been revised.
- Changes are noted below in Red beside the change bar.

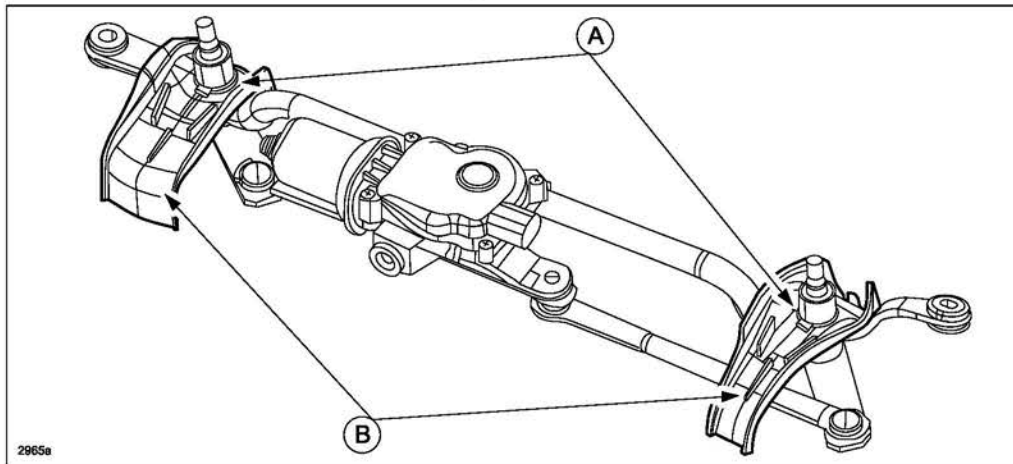
APPLICABLE MODEL(S)/VINS

2014-15 Mazda3 vehicles with VINs lower than JM1BM*****227327 (produced before August 1, 2014)

2014-15 Mazda3 vehicles with VINs lower than 3MZBM*****194031 (produced before February 11, 2015)

DESCRIPTION

Some vehicles may exhibit a squeaking noise from the windshield wiper link when operating the wipers. This noise may be caused by rust on the sliding parts from water entry through the pivot (A). To prevent water entry, the pivot cover (B) has been enlarged and an O-ring has been added to the pivot.



Customers having this concern should have their vehicle repaired using the following repair procedure.

REPAIR PROCEDURE

1. Verify customer concern.
2. If noise occurs when operating the wipers, replace the windshield wiper link assembly with a modified one. Refer to the instructions on MS3 online or the Workshop Manual (section 09-10 WINDSHIELD WIPER MOTOR AND LINK REMOVAL/INSTALLATION).
3. Verify repair.

PART(S) INFORMATION

Part Number	Description	Qty.	Notes
BHS2-67-360A	Windshield Wiper Link Assembly	1	For VINs starting with JM1
BJS7-67-37XA	Windshield Wiper Link Assembly	1	For VINs starting with 3MZ

WARRANTY INFORMATION

NOTE:

- This warranty information applies only to verified customer complaints on vehicles eligible for warranty repair.
- This repair will be covered under Mazda's New Vehicle Limited Warranty.
- Additional diagnostic time cannot be claimed for this repair.

Warranty Type	A
Symptom Code	82
Damage Code	9Y
Part Number Main Cause	BHS2-67-360A or BJS7-67-37XA
Quantity	1
Operation Number / Labor Hours:	XXK9WXRX / 0.5 Hrs