

© 2015 Mazda Motor of America, Inc.

<b>Subject:</b>  SPECIAL SERVICE TOOL SHIPMENT - OCTOBER 2015	<b>Bulletin No:</b> 00-002/15
	<b>Last Issued:</b> 10/16/2015

## APPLICABLE MODEL(S)/VINS

2016 MX-5

## DESCRIPTION/PRICING

In support of the newly launched 2016 Mazda MX-5, Mazda will ship to all dealers a new Special Service Tool (SST). The SST's will be shipped automatically by Mazda's tool vendor Bosch in the month of October, 2015.

The following SST is the latest addition to the Mazda Required Tool (MRT) list.

Part Number	Description	Pricing
49N1-13-105	Fuel Pipe Wrench	\$68.07

## BILLING INFORMATION

Tool(s) will be automatically invoiced to your dealer parts account statement. If your accounting department has any questions regarding this invoicing, please call Mazda Special Service Tools (949-442-6539).

## SHIPPING INFORMATION

Tool(s) will be shipped via UPS ground to your Service Department in the month of October, 2015.

**Please advise your shipping/receiving personnel of this tool shipment.**

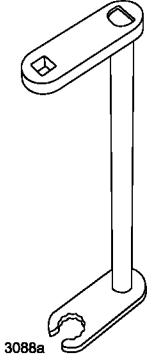
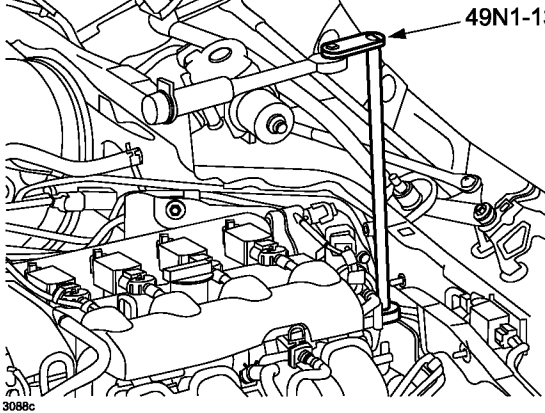
## OBTAINING ADDITIONAL TOOLS

To order additional SSTs, submit orders via Mazda e-Store at <http://dealers.mazdausa.com>.

## CUSTOMER SERVICE INFORMATION

For warranty or product information call Bosch Customer Service at (877) 722-8336.

## SPECIAL SERVICE TOOL (SST) AND USAGE

PART NUMBER / NAME: 49N1-13-105 Fuel Pipe Wrench  APPLICABLE MODELS: 2016 MX-5  USAGE: Used to remove/ install the fuel line to the high pressure fuel pump.	OVERVIEW  3088a	USAGE  3088c Procedure in the Workshop Manual – Engine section.
--	--	--