

1 11 01-15



Service Information Bulletin

SUBJECT	DATE
Engine Sensor Locations	November 2015

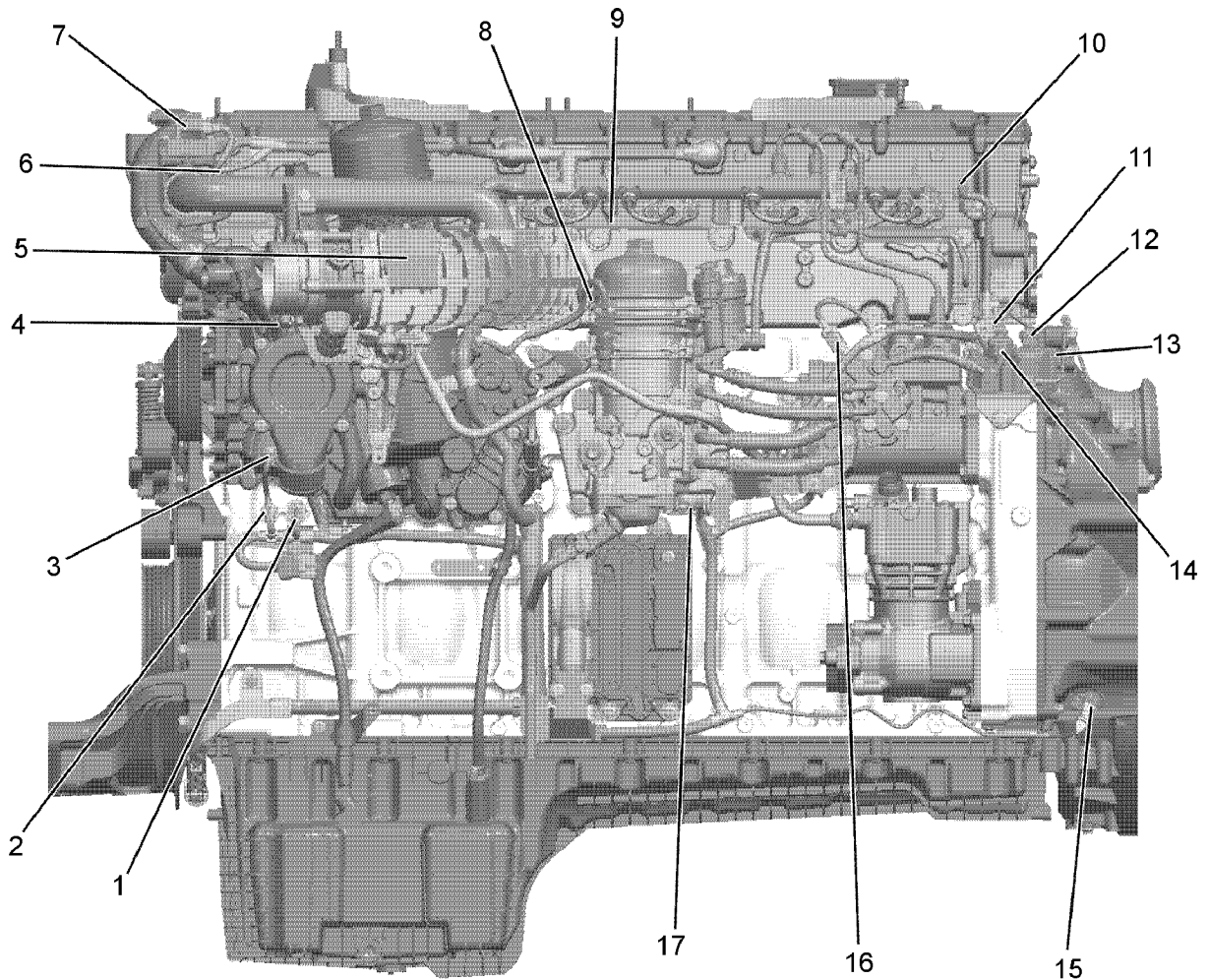
Additions, Revisions, or Updates

Publication Number / Title	Platform	Section Title	Change
DDC-SVC-MAN-0084	DD Platform	Description and Operation of DD Platform Engine Sensors	New section for sensor locations.



13400 Outer Drive, West, Detroit, Michigan 48239-4001
 Telephone: 313-592-5000
www.demanddetroit.com

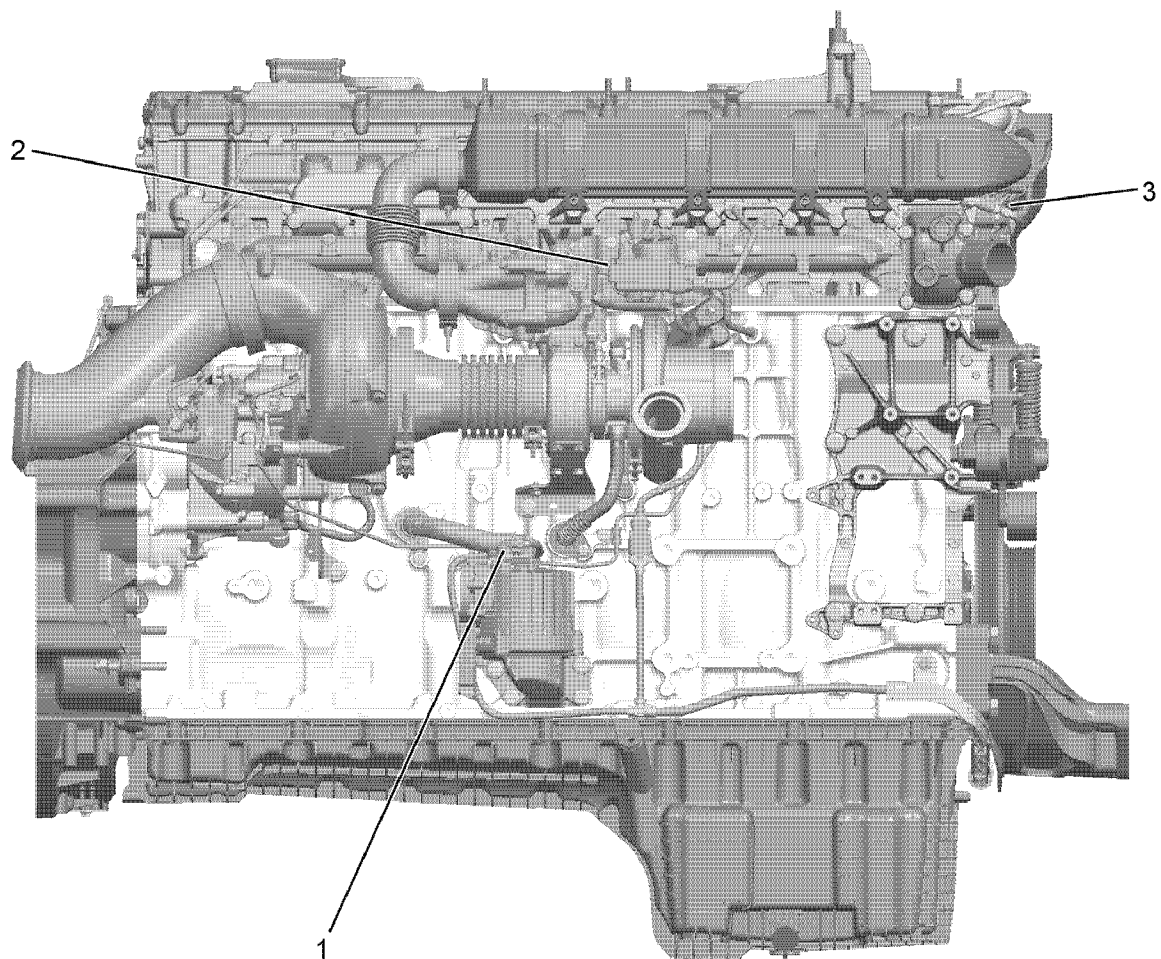
2 Description and Operation of DD Platform Engine Sensors



d540140

- | | |
|---|---------------------------------------|
| 1. Engine Oil Pressure Sensor | 10. Camshaft Position Sensor |
| 2. Engine Oil Temperature Sensor | 11. Fuel Compensation Pressure Sensor |
| 3. Coolant Inlet Temperature Sensor | 12. Fuel Doser Line Pressure Sensor |
| 4. Intake Throttle Valve | 13. Electronic Dosing Valve |
| 5. Intake Manifold Pressure / CAC Temp Sensor | 14. Fuel Cutoff Valve |
| 6. Fuel Rail Pressure Sensor | 15. Crankshaft Position Sensor |
| 7. EGR Delta P Sensor | 16. Supply Fuel Temperature Sensor |
| 8. LPPO Fuel Pressure Sensor | 17. Water-In-Fuel Sensor |
| 9. Intake Manifold Temperature Sensor | |

Figure 1. GHG14 DD16 and DD15TC Left Side Sensor Locations

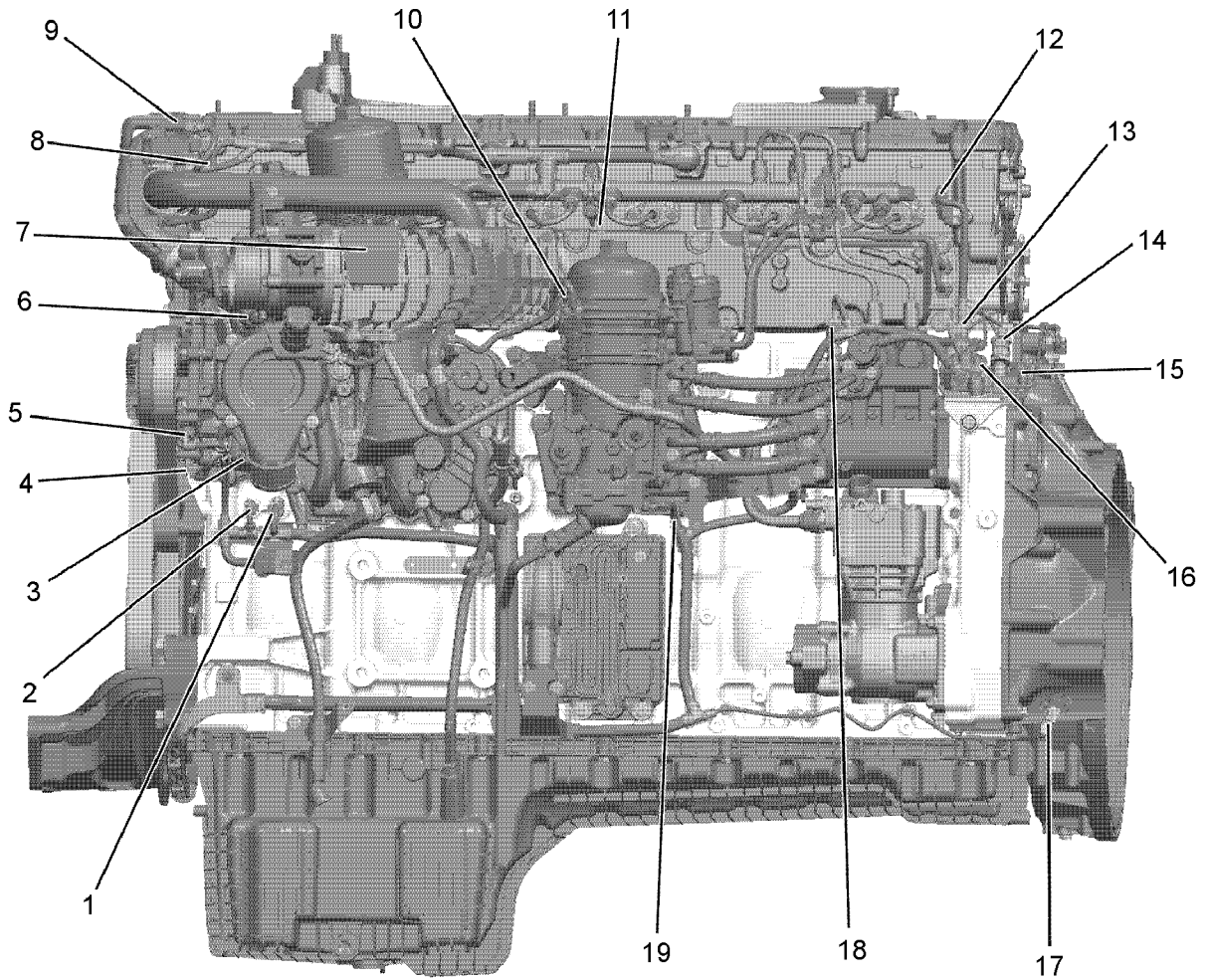


d540141

1. Oil Separator Speed Sensor
2. EGR Actuator

3. Coolant Outlet Temperature Sensor

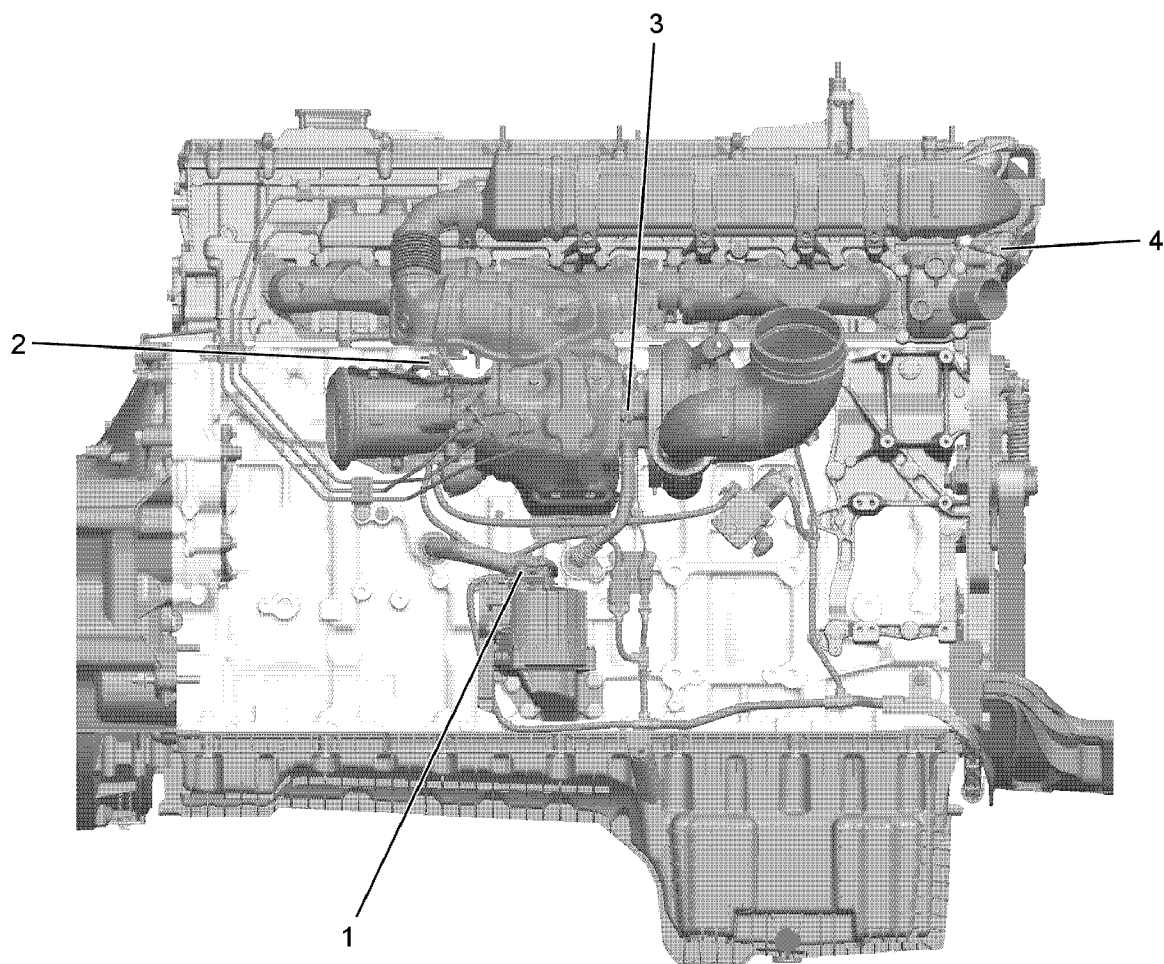
Figure 2. GHG14 DD16 and DD15TC Right Side Sensor Locations



d540142

- | | |
|---|--|
| <ol style="list-style-type: none"> 1. Engine Oil Pressure Sensor 2. Engine Oil Temperature Sensor 3. Coolant Inlet Temperature Sensor 4. Water Pump Solenoid 5. Water Pump Speed Sensor 6. Intake Throttle Valve 7. Intake Manifold Pressure / CAC Temp Sensor 8. Fuel Rail Pressure Sensor 9. EGR Delta P Sensor 10. LPPO Fuel Pressure Sensor | <ol style="list-style-type: none"> 11. Intake Manifold Temperature Sensor 12. Camshaft Position Sensor 13. Fuel Compensation Pressure Sensor 14. Fuel Doser Line Pressure Sensor 15. Electronic Dosing Valve 16. Fuel Cutoff Valve 17. Crankshaft Position Sensor 18. Supply Fuel Temperature Sensor 19. Water-In-Fuel Sensor |
|---|--|

Figure 3. GHG14 DD15AT Left Side Sensor Locations

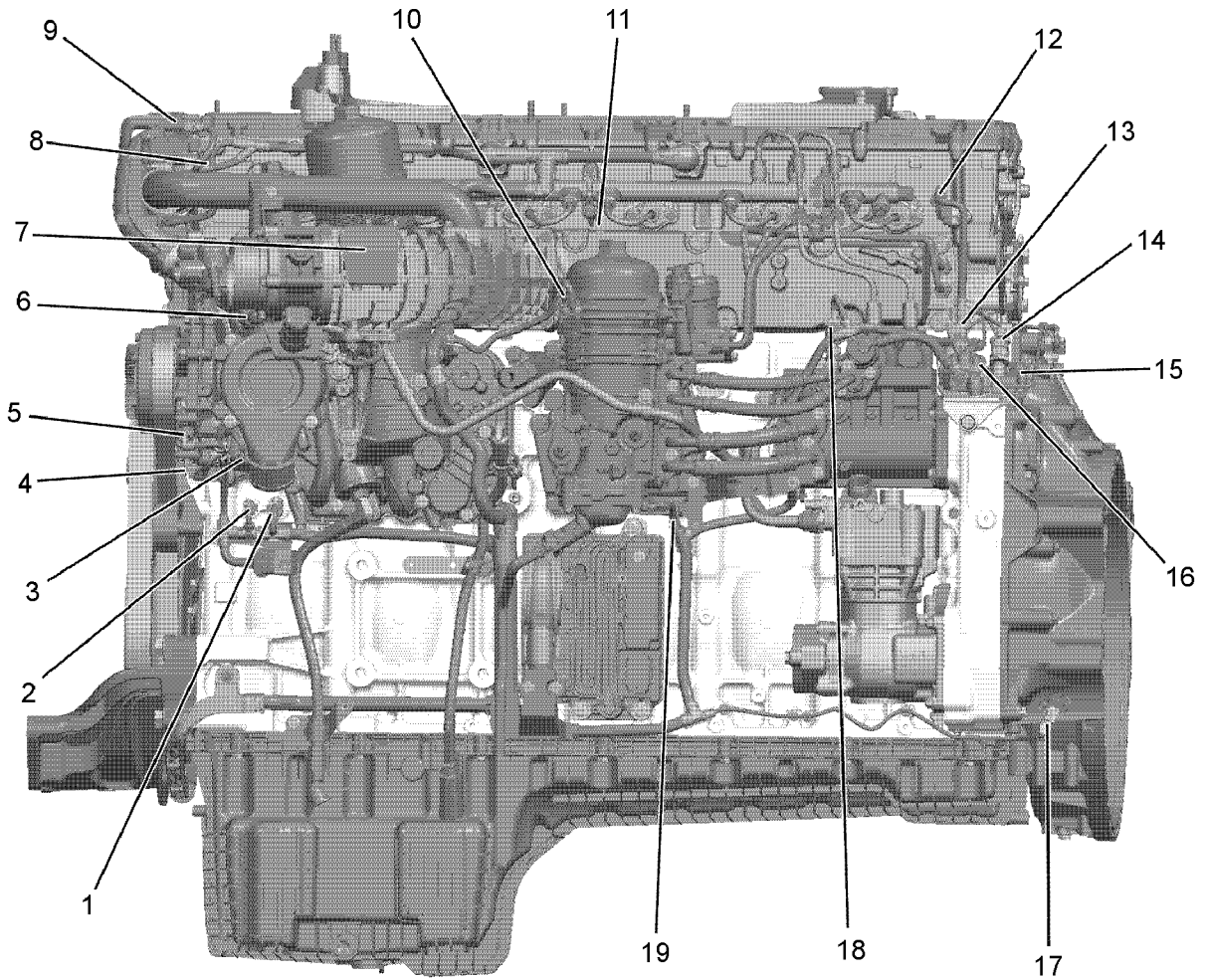


d540143

1. Oil Separator Speed Sensor
2. EGR Actuator

3. Turbo Speed Sensor
4. Coolant Outlet Speed Sensor

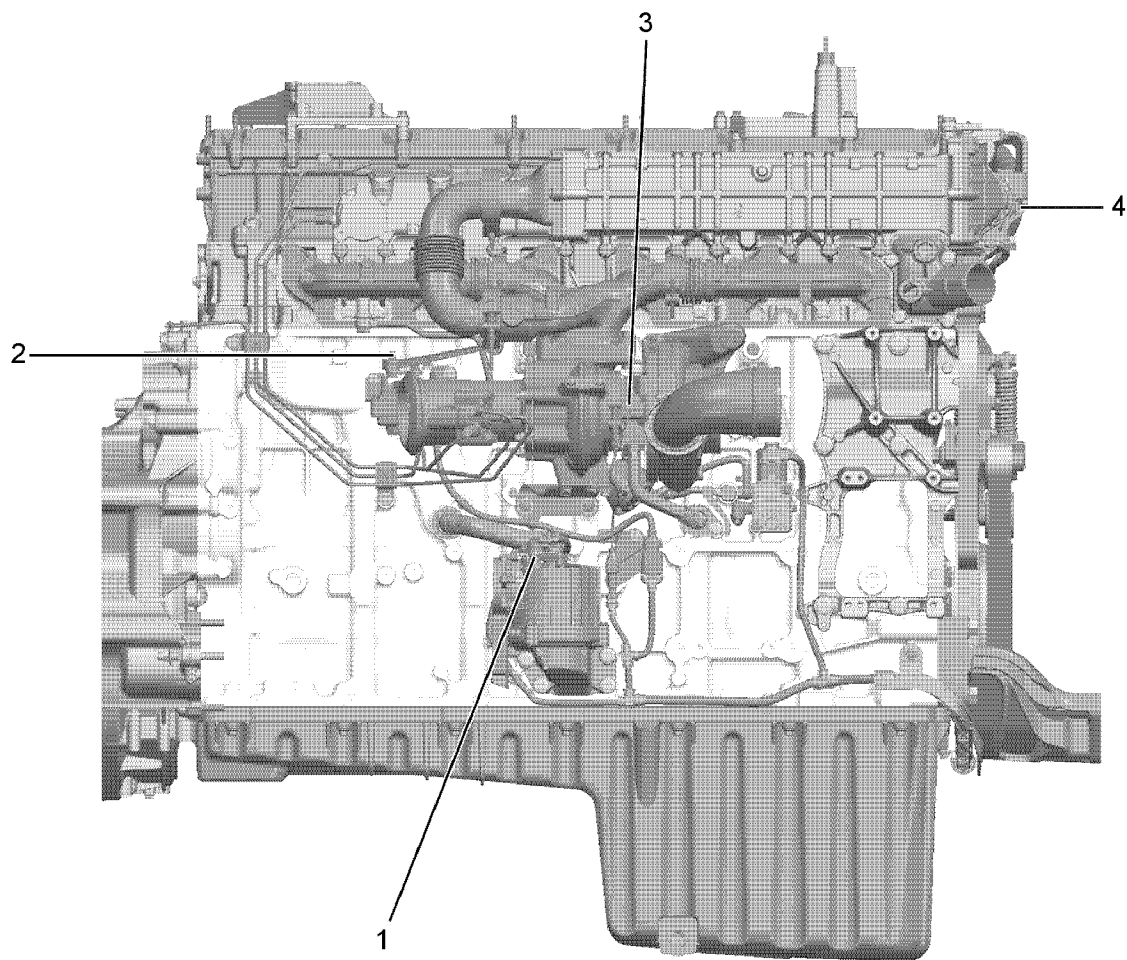
Figure 4. GHG14 DD15AT Right Side Sensor Locations



d540142

- | | |
|-------------------------------------|--|
| 1. Engine Oil Pressure Sensor | 11. Intake Manifold Temperature Sensor |
| 2. Engine Oil Temperature Sensor | 12. Camshaft Position Sensor |
| 3. Coolant Inlet Temperature Sensor | 13. Fuel Compensation Pressure Sensor |
| 4. Water Pump Solenoid | 14. Fuel Doser Line Pressure Sensor |
| 5. Water Pump Speed | 15. Electronic Dosing Valve |
| 6. Intake Throttle Valve | 16. Fuel Cutoff Valve |
| 7. Intake Manifold Pressure | 17. Crankshaft Position Sensor |
| 8. Fuel Rail Pressure Sensor | 18. Supply Fuel Temperature Sensor |
| 9. EGR Delta P Sensor | 19. Water-In-Fuel Sensor |
| 10. LPPO Fuel Pressure Sensor | |

Figure 5. GHG14 DD13 Left Side Sensor Locations

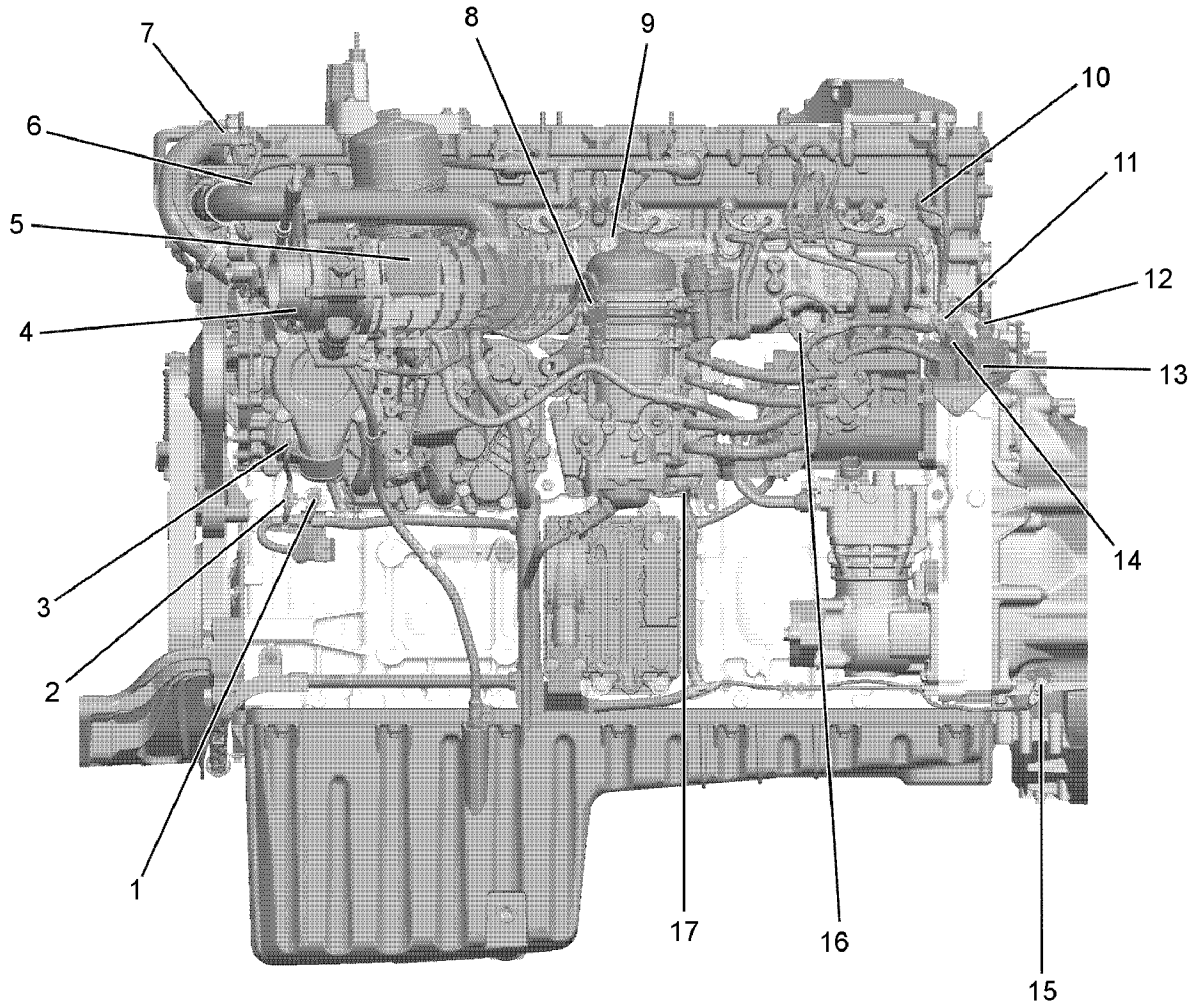


d540145

1. Oil Separator Speed Sensor
2. EGR Actuator

3. Turbo Speed Sensor
4. Coolant Outlet Temperature Sensor

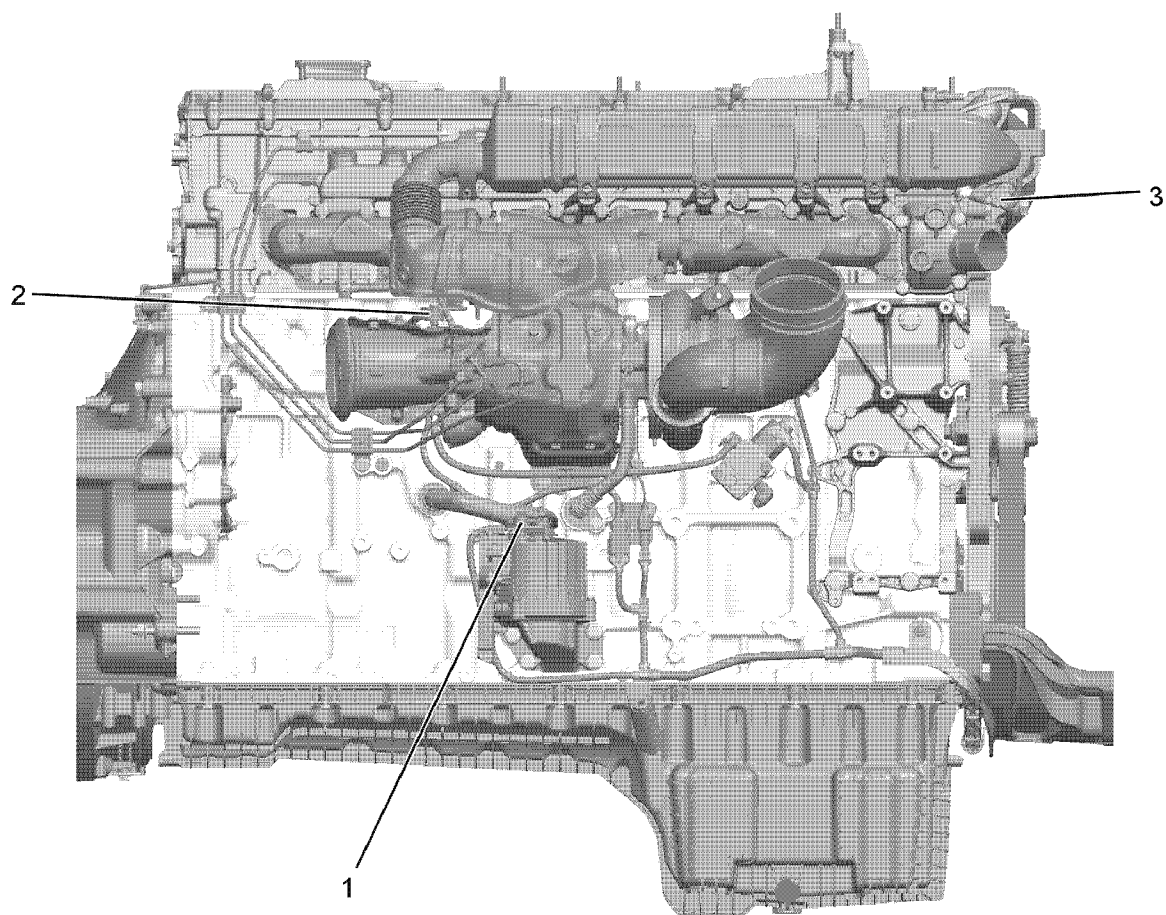
Figure 6. GHG14 DD13 Right Side Sensor Locations



d540151

- | | |
|---|---------------------------------------|
| 1. Engine Oil Pressure Sensor | 10. Camshaft Position Sensor |
| 2. Engine Oil Temperature Sensor | 11. Fuel Compensation Pressure Sensor |
| 3. Coolant Inlet Temperature Sensor | 12. Fuel Doser Line Pressure Sensor |
| 4. Intake Throttle Valve | 13. Electronic Dosing Valve |
| 5. Intake Manifold Pressure / CAC Temp Sensor | 14. Fuel Cutoff Valve |
| 6. Fuel Rail Pressure Sensor | 15. Crankshaft Position Sensor |
| 7. EGR Delta P Sensor | 16. Supply Fuel Temperature Sensor |
| 8. LPPO Fuel Pressure Sensor | 17. Water-In-Fuel Sensor |
| 9. Intake Manifold Temperature Sensor | |

Figure 7. EPA10 DD16 and DD15 Left Side Sensor Locations

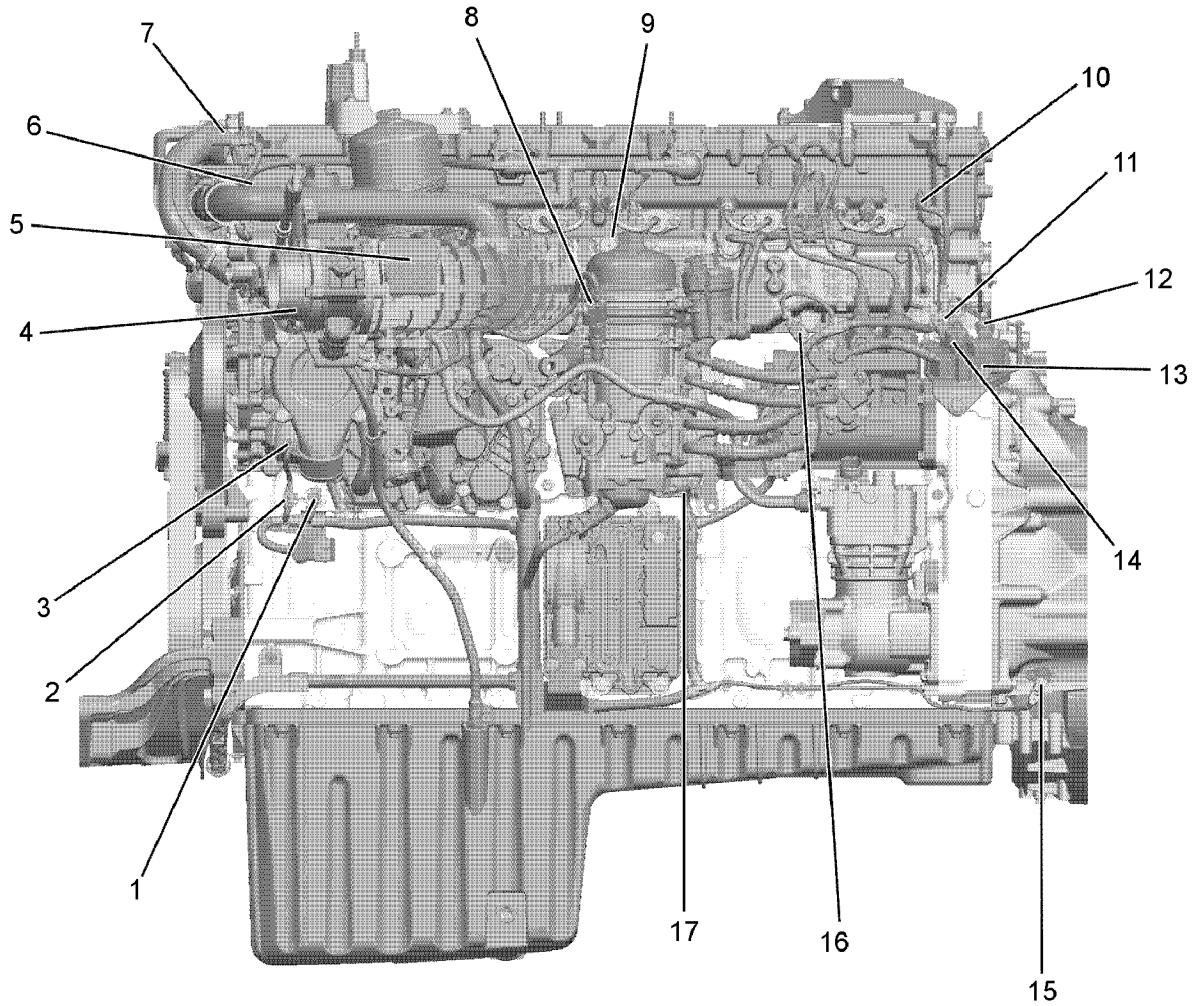


d540143a

1. Oil Separator Speed Sensor
2. EGR Actuator

3. Coolant Outlet Speed Sensor

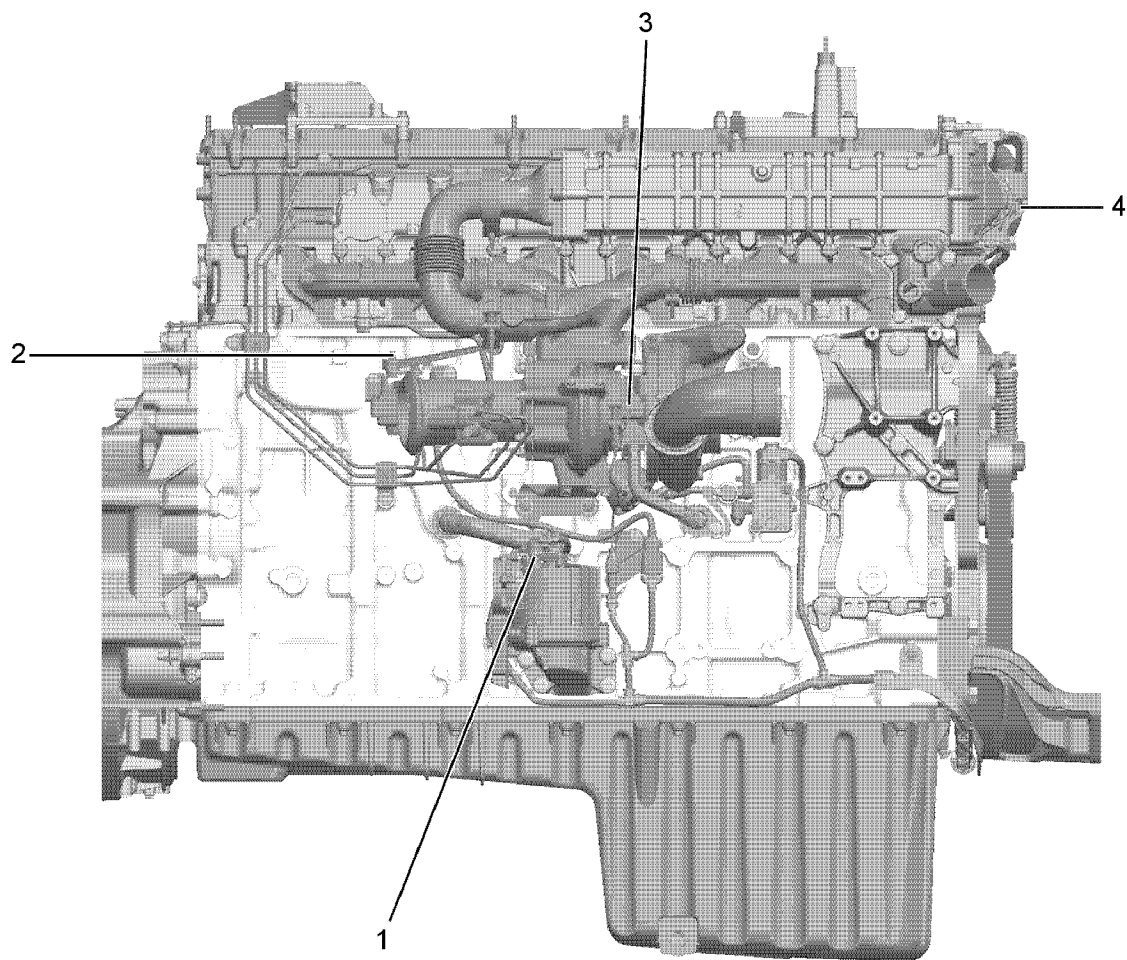
Figure 8. EPA10 DD16 and DD15 Right Side Sensor Locations



d540151

- | | |
|---------------------------------------|---------------------------------------|
| 1. Engine Oil Pressure Sensor | 10. Camshaft Position Sensor |
| 2. Engine Oil Temperature Sensor | 11. Fuel Compensation Pressure Sensor |
| 3. Coolant Inlet Temperature Sensor | 12. Fuel Doser Line Pressure Sensor |
| 4. Intake Throttle Valve | 13. Electronic Dosing Valve |
| 5. Intake Manifold Pressure | 14. Fuel Cutoff Valve |
| 6. Fuel Rail Pressure Sensor | 15. Crankshaft Position Sensor |
| 7. EGR Delta P Sensor | 16. Supply Fuel Temperature Sensor |
| 8. LPPO Fuel Pressure Sensor | 17. Water-In-Fuel Sensor |
| 9. Intake Manifold Temperature Sensor | |

Figure 9. EPA10 DD13 Left Side Sensor Locations

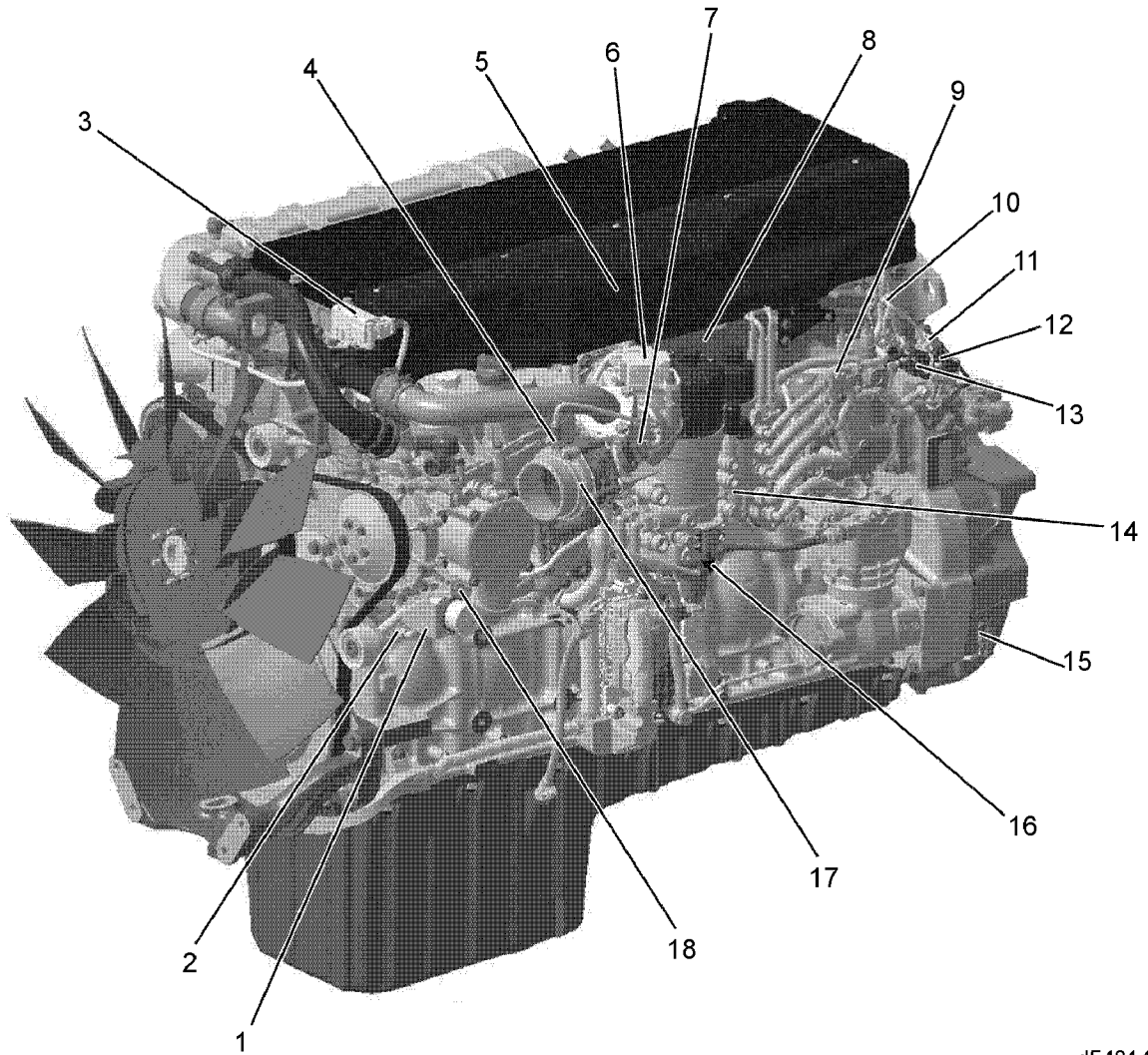


d540145

1. Oil Separator Speed Sensor
2. EGR Actuator

3. Turbo Speed Sensor
4. Coolant Outlet Temperature Sensor

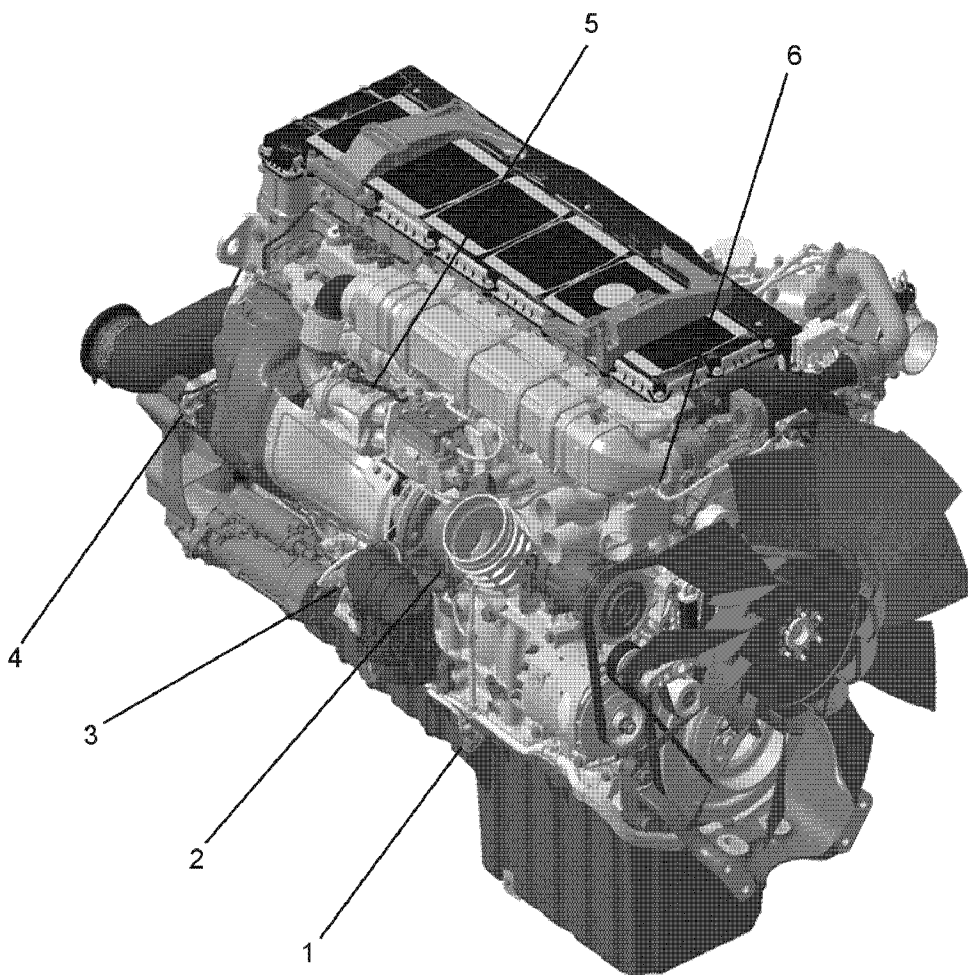
Figure 10. EPA10 DD13 Right Side Sensor Locations



d540146

- | | |
|---------------------------------------|---------------------------------------|
| 1. Engine Oil Pressure Sensor | 10. Camshaft Position Sensor |
| 2. Engine Oil Temperature Sensor | 11. Fuel Compensation Pressure Sensor |
| 3. EGR Delta P Sensor | 12. Fuel Doser Line Pressure Sensor |
| 4. Intake Air Temperature Sensor | 13. Fuel Cutoff Valve |
| 5. Fuel Rail Pressure Sensor | 14. Supply Fuel Temperature Sensor |
| 6. Grid Heater | 15. Crankshaft Position Sensor |
| 7. Intake Manifold Pressure | 16. Water-In-Fuel Sensor |
| 8. Intake Manifold Temperature Sensor | 17. Intake Throttle Valve |
| 9. Fuel Temperature Sensor | 18. Coolant Inlet Temperature Sensor |

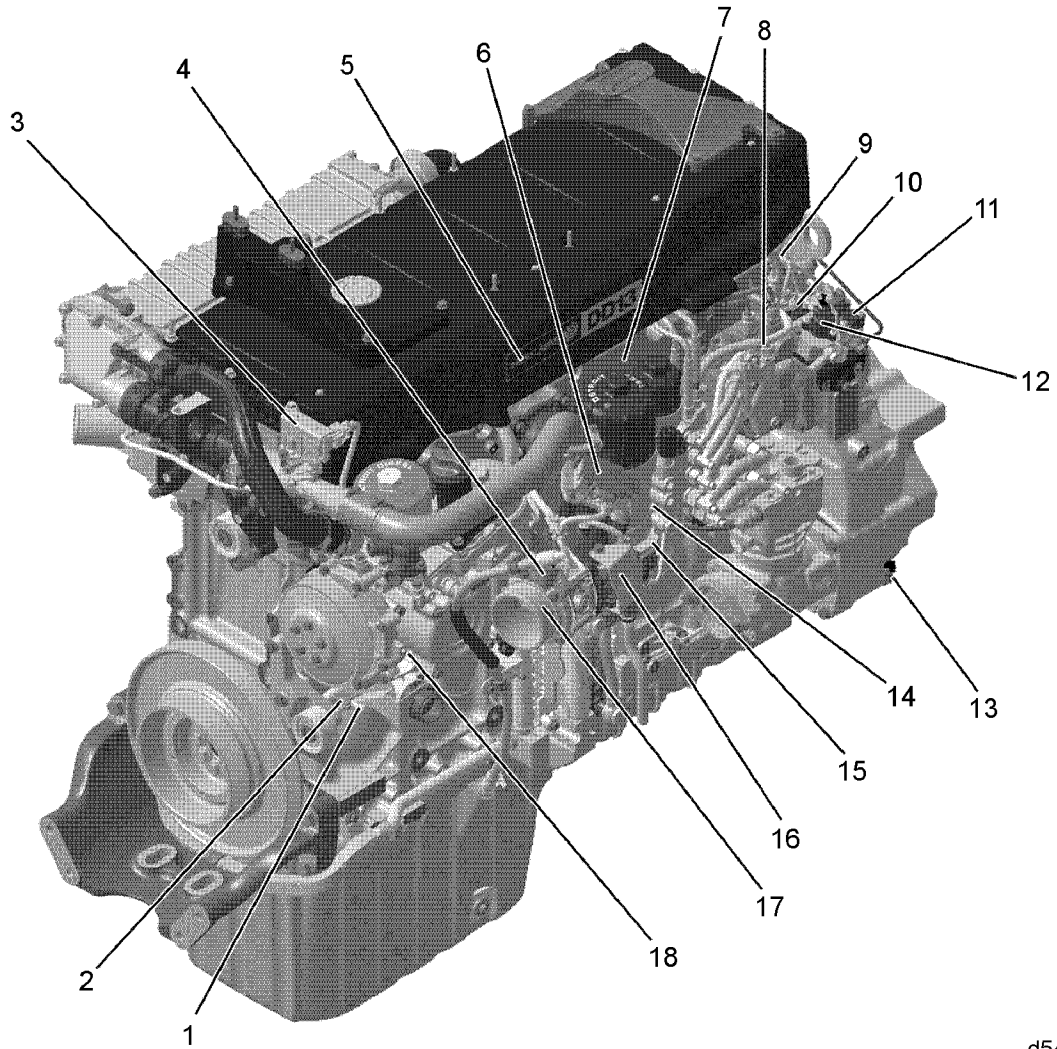
Figure 11. EPA07 DD16 and DD15 Left Side Sensor Locations



d540147

- | | |
|--------------------------------------|--------------------------------------|
| 1. Air Seal Pressure Regulator Valve | 4. Electronic Dosing Valve |
| 2. Turbo Speed Sensor | 5. EGR Actuator |
| 3. Oil Separator Speed Sensor | 6. Coolant Outlet Temperature Sensor |

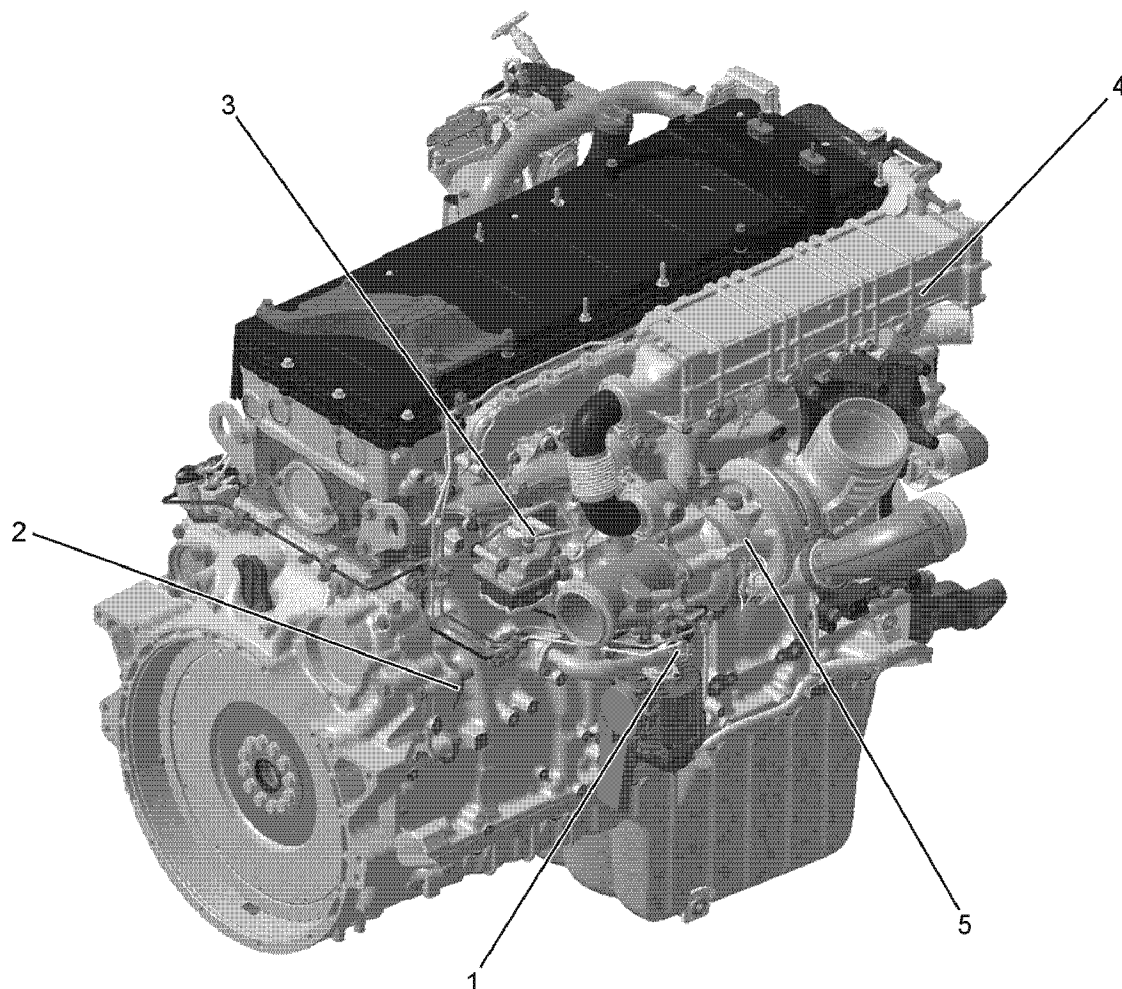
Figure 12. EPA07 DD16 and DD15 Right Side Sensor Locations



d540148

- | | |
|---|---------------------------------------|
| 1. Engine Oil Pressure Sensor | 10. Fuel Compensation Pressure Sensor |
| 2. Engine Oil Temperature Sensor | 11. Fuel Doser Line Pressure Sensor |
| 3. EGR Delta P Sensor | 12. Fuel Cutoff Valve |
| 4. Intake Air Temperature Sensor | 13. Crankshaft Position Sensor |
| 5. Fuel Rail Pressure Sensor | 14. Supply Fuel Temperature Sensor |
| 6. Grid Heater | 15. Water-In-Fuel Sensor |
| 7. EGR/Intake Manifold Temperature Sensor | 16. Intake Manifold Pressure |
| 8. Fuel Temperature Sensor | 17. Intake Throttle Valve |
| 9. Camshaft Position Sensor | 18. Coolant Inlet Temperature Sensor |

Figure 13. EPA07 DD13 Left Side Sensor Locations



d540149

1. Oil Separator Speed Sensor
2. Electronic Dosing Valve
3. EGR Actuator

4. Coolant Outlet Temperature Sensor
5. Turbo Speed Sensor

Figure 14. EPA07 DD13 Right Side Sensor Locations