

Subject: GROAN NOISE FROM FRONT WHEEL HUB	Bulletin No: 03-006/15
	Last Issued: 09/29/2015

BULLETIN NOTE

- This bulletin supersedes the previous bulletin 03-003/14, issued on 07/16/2014. The APPLICABLE MODEL(S)/VINS, PART(S) and WARRANTY INFORMATION have been revised.
- Changes are noted below in Red beside the change bar.

APPLICABLE MODEL(S)/VINS

2014-2016 Mazda6 vehicles with VINs lower than JM1 GJ ***** 445626 (produced before August 01, 2015)

2013-2016 CX-5 vehicles with VINs lower than JM3 KE ***** 700830 (produced before August 01, 2015)

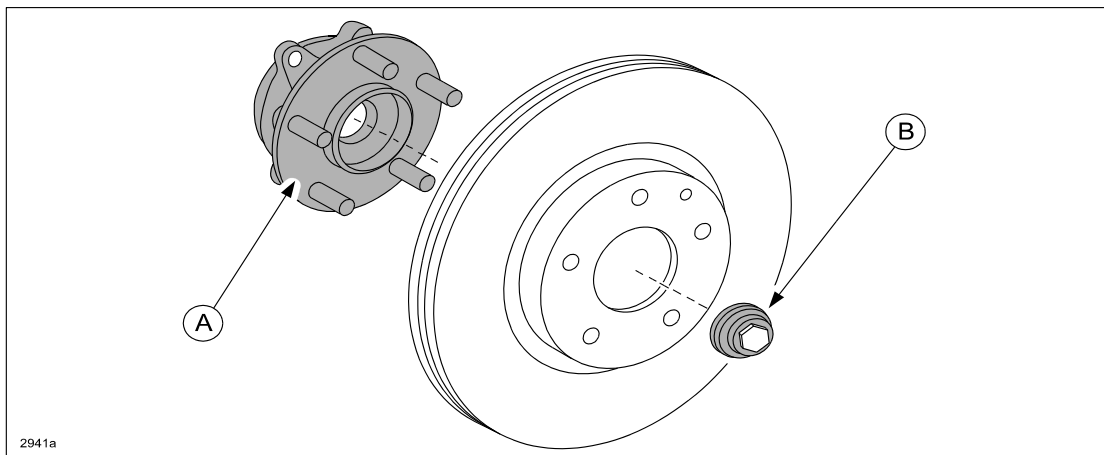
DESCRIPTION

Some vehicles may exhibit a groan type noise from the front wheel hub bearing while driving at high speed or when cornering. This may be caused by front wheel hub bearing corrosion.

Customers having this concern should have their vehicle repaired using the following repair procedure.

REPAIR PROCEDURE

1. Verify customer concern.
2. Replace the affected front wheel hub (A) and locknut (B). Refer to MS3 online or Workshop Manual (section 03-12) removal/installation instructions for the front wheel hub and the locknut only.
 - CX-5 - WHEEL HUB COMPONENT REMOVAL/INSTALLATION [AWD]
 - Mazda6 - WHEEL HUB, STEERING KNUCKLE REMOVAL/INSTALLATION



3. Verify repair.

Bulletin No: 03-006/15 © 2015 Mazda Motor of America, Inc.	Last Issued: 09/29/2015
--	--------------------------------

PART(S) INFORMATION

Part Number	Description	Qty.	Notes
D651-33-042A	Locknut	1 or 2	Only replace the affected side. Replace both locknut and wheel hub as a set.
KD35-33-04XD	Wheel Hub	1 or 2	

WARRANTY INFORMATION

NOTE:

- This warranty information applies only to verified customer complaints on vehicles eligible for warranty repair.
- This repair will be covered under Mazda's Power Train Limited Warranty term.
- Additional diagnostic time cannot be claimed for this repair.
- Only replace the affected side.
- Claim **locknut(s)** as related part(s). Repairs without wheel hub replacement are not warrantable.

	One side	Both sides
Warranty Type	A	A
Symptom Code	82	82
Damage Code	9G	9G
Part Number Main Cause	KD35-33-04XD	KD35-33-04XD
Quantity	1	2
Operation Number / Labor Hours:	XXK7UARX / 0.7 Hrs.	XXK7UBRX / 1.2 Hrs.