

October 30, 2015

02610 Version 2

Multiple Indicators are On with DTC U129D

Supersedes 15-050, dated October 28, 2015, to revise the information highlighted in **yellow**.

REVISION SUMMARY

Under PARTS INFORMATION, flange bolts were added.

AFFECTED VEHICLES

Year	Model	Trim	VIN range
2015	TLX	L4 2WD	19UUB1...FA000001 thru 19UUB1...FA026785
2015	TLX	V6 2WD	19UUB2...FA000001 thru 19UUB2...FA023882

SYMPTOM

Multiple indicator lights are on with DTC U129D (F-CAN malfunction) [PCM-Precision All Wheel Control Unit] stored.

POSSIBLE CAUSES

There is a bad wire crimp in the rear toe control actuator connector.

CORRECTIVE ACTION

Replace both rear toe control actuators.

PARTS INFORMATION

Part Name	Part Number	Quantity
Left RTC Actuator	52345-TZ3-A72	1
Right RTC Actuator	52340-TZ3-A72	1
Self-locking Nut (12 mm) (Clinch)	90370-SJA-000	2
Self-locking Nut (12 mm) (Nylon)	90362-SJA-000	2
Control Arm Adjusting Bolt	90178-TA0-A00	2
Flange Bolt (12 mm X 84 mm)	90118-SNA-000	2
Flange Bolt (12 mm X 68 mm)	90181-S84-A00	2

CLIENT INFORMATION: The information in this bulletin is intended for use only by skilled technicians who have the proper tools, equipment, and training to correctly and safely maintain your vehicle. These procedures should not be attempted by "do-it-yourselfers," and you should not assume this bulletin applies to your vehicle, or that your vehicle has the condition described. To determine whether this information applies, contact an authorized Acura automobile dealer.

WARRANTY CLAIM INFORMATION

The normal warranty applies.

Operation Number	Description	Flat Rate Time	Defect Code	Symptom Code	Template ID	Failed Part Number
4191H6	Replace both rear toe control actuators.	0.7 hr	06600	03214	15-050N	52345-TZ3-A72

Skill Level: Repair Technician

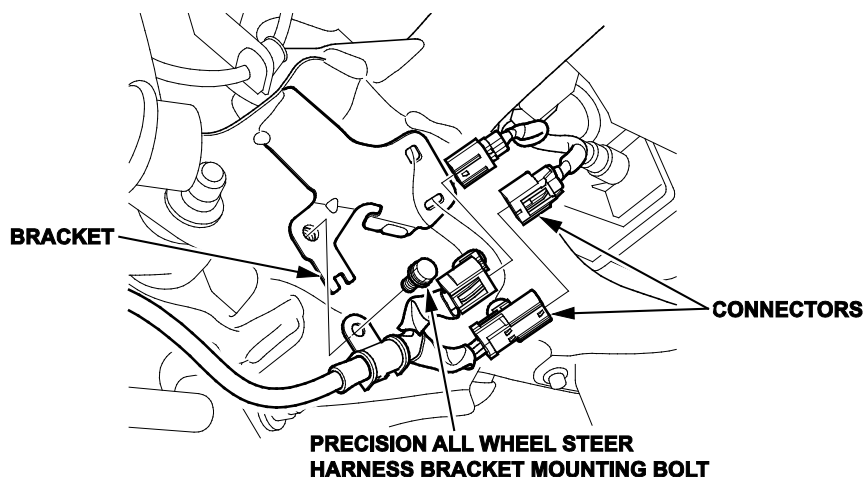
DIAGNOSIS

Check if there is a temporary DTC or an on-board snapshot for P0714 ATF temperature sensor (intermittent failure).

- If DTC or on-board snapshot P0714 is set, this bulletin does not apply, refer to S/B 15-041 *Multiple Indicator Lights Come On, Stuck in 4th Gear, and Temporary DTC P0714 is Set.*
- If there is **not** a temporary DTC or on board snapshot for P0714, and DTC U129 is stored, go to REPAIR PROCEDURE.

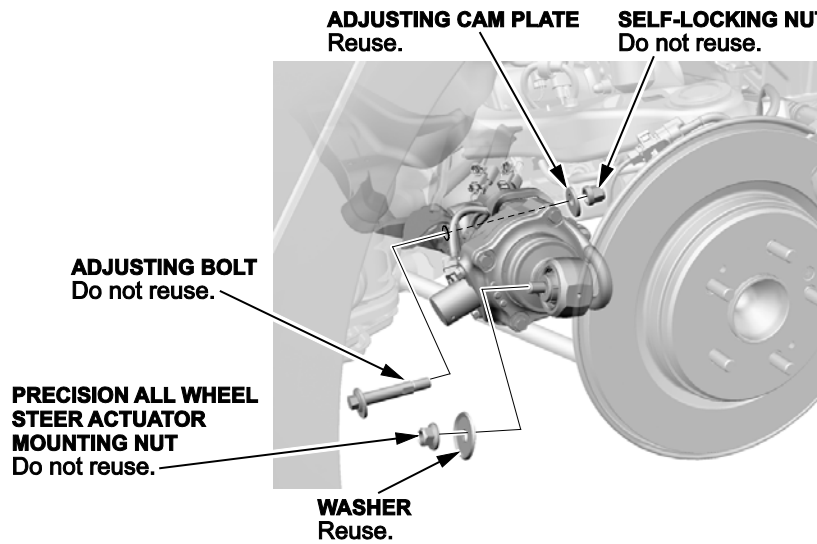
REPAIR PROCEDURE

1. Raise the vehicle on a lift.
2. Remove both rear wheels.
3. Remove lower arm A. For more information on how to remove it, refer to the service information.
4. Disconnect the connectors as shown.



5. Remove the connectors from the brackets.
6. Remove the precision all wheel steer harness bracket mounting bolt.

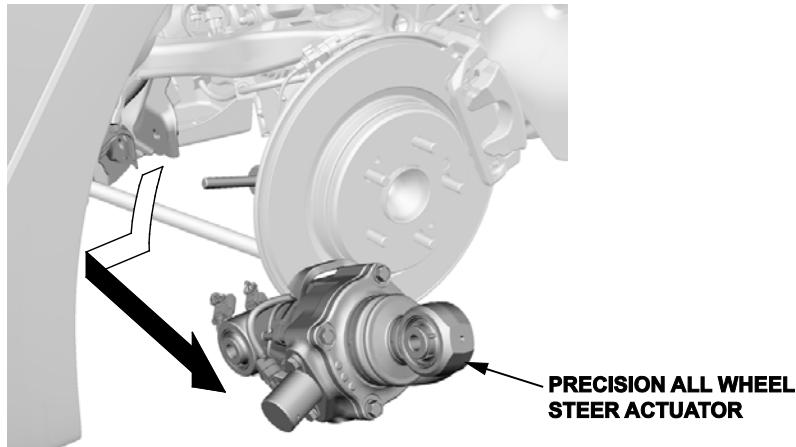
7. Remove the precision all wheel steer actuator mounting nut and washer.



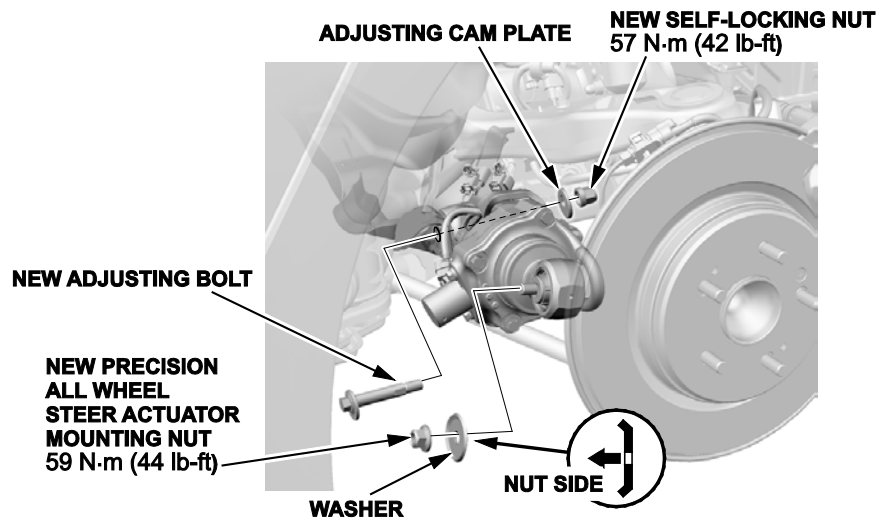
8. Mark the cam positions of the adjusting bolt and the adjusting cam plate with the frame.

9. Remove the self-locking nut, the adjusting cam plate, and the adjusting bolt.

10. Remove the precision all wheel steer actuator.



11. Install the new precision all wheel steer actuator.

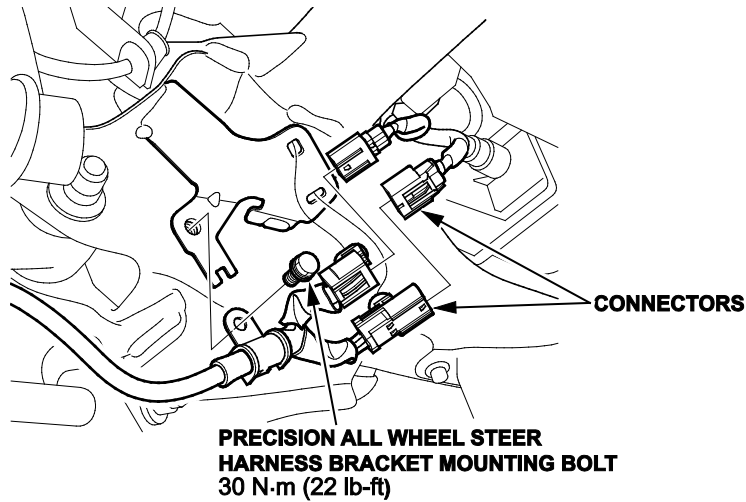


12. Loosely install the new self-locking nut, the original adjusting cam plate, and the new adjusting bolt.

NOTE: Align the cam positions of the adjusting bolt and the adjusting cam plate with the marked positions on the frame when tightening the self-locking nut.

13. Loosely install the new precision all wheel steer actuator mounting nut and the washer.

14. Install the precision all wheel steer actuator harness bracket mounting bolt and tighten it to **30 N·m (22 lb-ft)**.



15. Install the connectors to the bracket and connect the connectors.

16. Install lower arm A, and loosely install the new bolts.

17. Load the suspension with the vehicle's weight and tighten the new bolts to **59 N·m (44 lb-ft)**.

18. Tighten the new self-locking nut on the actuator to **57 N·m (42 lb-ft)** and the new precision all wheel steer actuator mounting nut to **59 N·m (44 lb-ft)**.

19. Repeat steps 3 thru 18 on the opposite side.

20. Turn the ignition to ON before doing the wheel alignment. The precision all wheel steer system will automatically go to its neutral position.

21. Check the wheel alignment and adjust if needed.

END