

November 5, 2015

02690 Version 2

Safety Recall: 2016 CR-V Driver's Airbag Module

Supersedes 15-081, dated October 29, 2015, to include the Repair Procedure, Parts Information, and Warranty Claim Information

AFFECTED VEHICLES

Year	Model	Trim	VIN Range
2016	CR-V	ALL	Check the iN VIN status for eligibility

BACKGROUND

The metal housing surrounding the driver's air bag inflator in these vehicles may have been manufactured incorrectly. In the event of a crash necessitating deployment of the driver's front air bag, the inflator could rupture with metal fragments striking the driver or other occupants resulting in serious injury or death.

CUSTOMER NOTIFICATION

Owners of affected vehicles will be sent a notification of this campaign.

Do an iN VIN status inquiry to make sure the vehicle is shown as eligible.

Some vehicles affected by this campaign may be in your new or used vehicle inventory. These vehicles must be repaired before they are sold.

Should your dealership sell an unrepaired vehicle that subsequently causes injury or damage because of the recalled item, the dealership will be solely responsible to the damaged party, and will be required to defend and indemnify American Honda for any resulting claims. To see if a vehicle in inventory is affected by this recall, do a VIN status inquiry before selling it.

CORRECTIVE ACTION

Replace the driver's airbag module.

PARTS INFORMATION

Part Name	Part Number	Quantity
Driver's Airbag Module	06700-T1W-308	1

NOTE:

- The original box must be used to return the driver's airbag module to their supplier, ideally within 48 hours of the repair. Be careful not to damage the box.
- If the undeployed airbag module is not returned, the warranty claim for that vehicle will be charged back to your dealership.
- **Do not include these airbag modules as part of your pallet shipment.** Follow the shipping instructions supplied with the inflator kit. If you have any questions about shipping, call Warranty Parts Inspection (WPI) at **937-642-2737**.

CUSTOMER INFORMATION: The information in this bulletin is intended for use only by skilled technicians who have the proper tools, equipment, and training to correctly and safely maintain your vehicle. These procedures should not be attempted by "do-it-yourselfers," and you should not assume this bulletin applies to your vehicle, or that your vehicle has the condition described. To determine whether this information applies, contact an authorized Honda automobile dealer.

WARRANTY CLAIM INFORMATION

Operation Number	Description	Flat Rate Time	Defect Code	Symptom Code	Template ID	Failed Part Number
7521J4	Replace driver's airbag module.	0.3 hr.	6RV00	JV900	15-081A	77810-T1W-A80ZA

Skill Level: Repair Technician

REPAIR PROCEDURE

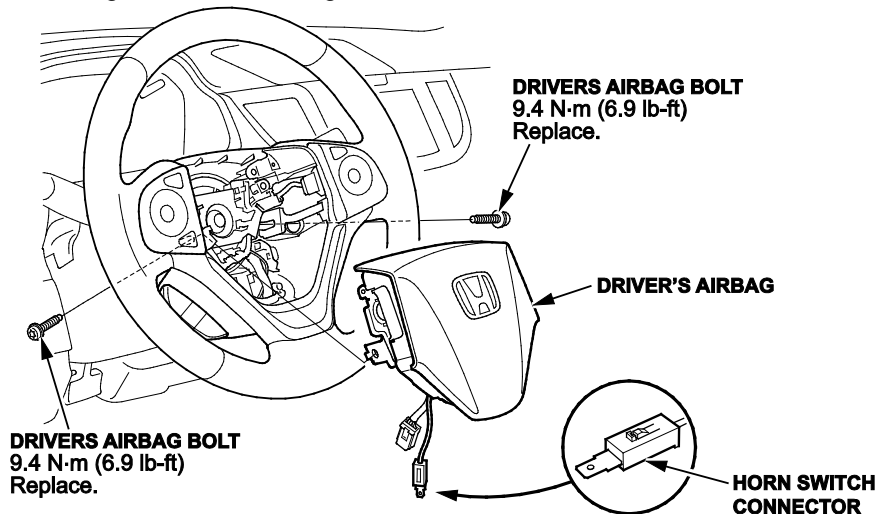
NOTE:

- Be careful not to damage any parts when replacing the driver's airbag module.
- Make sure you have reviewed the SRS Precautions and Procedures in the service information before doing the REPAIR PROCEDURE.
- Always use new Torx bolts to reinstall the driver's airbag module. The new Torx bolts are coated with threadlock to make sure they do not come loose.

Before removing the driver's airbag module

1. Turn the ignition switch to the ON (II) position and check if the SRS indicator comes on for about 6 seconds, then turns off.
 - If the indicator comes on, then turns off after about 6 seconds, go to step 2.
 - If the indicator does not come on, or if it stays on, contact your DPSM for assistance.
2. Disconnect the battery negative cable and wait at least 3 minutes before continuing.
3. Remove the driver's airbag module. Refer to service information.

NOTE: Make sure the terminal tab on the horn switch connector is attached to the driver's airbag side when removing the driver's airbag.



4. Install the new driver's airbag module with new Torx bolts in the reverse order of disassembly. Torque the bolts to **9.8 N·m (7.2 lb-ft)**.
5. Reconnect the battery negative cable.
6. Start the vehicle and check that the SRS indicator comes on for about 6 seconds, then turns off. Also check that the horn works properly.

Return the driver's airbag module

- Put the original airbag module into the box that the new one came in. Make sure there is no other hardware in the box because if the package rattles, it will not be accepted by the courier.



- Follow the shipping instructions supplied with the inflator kit to return the undeployed airbag module. If you have any questions about shipping, call Warranty Parts Inspection (WPI) at **937-642-2737**.

NOTE: These boxes containing the 2016 CR-V driver's airbag modules have a pink sticker that states **Do NOT Ship Via LTL** on the outside of the boxes to distinguish them from other returns. These boxes need to be shipped by FedEx.



END