

**November 12, 2015**

00388-01698 Version 5

**2012–13 Insight: Oil Consumption Exceeds Customer Expectations**Supersedes 15-015, dated November 10, 2015, to revise the information highlighted in **yellow**.**AFFECTED VEHICLES**

Year	Model	Trim	VIN Range
2012–13	Insight	ALL	ALL

**REVISION SUMMARY**

- Under PARTS INFORMATION, part list was updated.
- Under CORRECTIVE ACTION, spark plugs were added.
- Under WARRANTY CLAIM INFORMATION, labor operation number, description and flat rate time were updated.
- Under CYLINDER HEAD REMOVAL AND INSPECTION, cylinder head inspection was added, step 2 was updated, and steps 3 and 4 were added.
- Under OIL PAN INSTALLATION, steps 18, 19, and 34 were added.

**SYMPTOM**

Engine oil consumption exceeds customer expectations.

**POSSIBLE CAUSES**

The oil control rings may become clogged with carbon deposits. These deposits restrict their ability to scrape and return oil from the cylinder walls to the crankcase.

**CORRECTIVE ACTION**

Do the engine oil consumption test and, if necessary, replace all of the pistons, pins, rings and **spark plugs**.

**CUSTOMER INFORMATION:** The information in this bulletin is intended for use only by skilled technicians who have the proper tools, equipment, and training to correctly and safely maintain your vehicle. These procedures should not be attempted by “do-it-yourselfers,” and you should not assume this bulletin applies to your vehicle, or that your vehicle has the condition described. To determine whether this information applies, contact an authorized Honda automobile dealer.

## PARTS INFORMATION

Part Name	Part Number	Quantity
Connecting Rod Bolt (if needed)	13204-PWA-003	8
Cylinder Head Gasket	12251-RB0-004	1
Drain Plug Washer (14 mm)	94109-14000	1
EGR Pipe A Gasket	18716-RB0-G01	1
EGR Pipe B Gasket	18719-RNA-A01	1
Flange Bolt (12 mm x 45 mm)	90174-TM5-000	3
Flange Nut (12 mm)	90213-SAA-000	2
Flexible Exhaust Gasket	18229-TF0-013	1
Head Bolt Washer (9 mm x 155 mm) (if needed)	90008-PWA-003	9
Head Bolt Washer (9 mm x 165mm) (if needed)	90008-RMX-003	1
Intake Manifold Gasket	17105-RBJ-007	4
Oil Filter	15400-PLM-A01	1
Oil Pan Gasket	11252-PWA-000	1
O-Ring	91333-PNC-006	1
O-Ring (8.8 mm X 1.9 mm)	91302-GE0-000	1
O-Ring (17.8 mm x 2.4 mm)	11203-PWA-003	1
Oil Strainer Gasket	15221-PZ1-000	1
Sealing Washer (28 mm)	90401-PR4-000	1
<b>Spark Plugs</b>	<b>12290-RW0-003</b>	<b>8</b>
Piston Kit (contains 4 pistons, 4 pins, and 4 ring packs.)	06131-RBJ-305	1
TWC Gasket	18115-RB0-004	1

## REQUIRED MATERIALS

Part Name	Part Number	Quantity
Honda Bond 4 (one tube will repair 5 vehicles)	08717-1194	1
Genuine Honda Motor Oil (0W-20)	08798-9036	4
Honda Long-Life Antifreeze/Coolant Type 2	OL999-9011	1

## TOOL INFORMATION

Part Name	Tool Number	Quantity
Piston Base	07973-6570500 or 07973-657A500	1
Piston Base Head/Insert	07TGF-001000A	1
Insert Pin	07PAF-0010700 or 07PAF-001A700	1
Piston Base Spring	07973-6570600 or 07973-657A600	1
Pilot Collar OD 18 mm	070AF-PWC0130 or 070AF-PWCA130	1
Insert Adjust	070AF-PWC0120 or 070AF-PWCA120	1
Pilot Pin	070AF-PWC0110 or 070AF-PWCA110	1
73 mm Piston Ring Compressor	SCP1473 (or equivalent)	1
Engine Hanger	AART1256	1

These tools are available through the Honda Tool and Equipment Program at **888-424-6857**. Verify that these tools are on hand before scheduling the repair.

## WARRANTY CLAIM INFORMATION

The normal warranty applies.

Operation Number	Description	Flat Rate Time	Template ID	Failed Part Number	Defect Code	Symptom Code
111167	Do the engine oil consumption test and, if necessary, replace all four pistons, pins, rings and all eight spark plugs.	8.4 hrs	15-015A	13010-RBJ-J00	03001	09401

Skill Level: Repair Technician

## DIAGNOSIS

- Do an engine oil consumption test. Refer to the job aid *Engine Oil Consumption Test*.
- Review the results of the engine oil consumption test.
  - Based on the test results, if the engine is consuming an unusually high amount of oil, contact your DPSM for approval, then go to REPAIR PROCEDURE.
  - Based on the test results, if the engine is consuming a normal amount of engine oil, the vehicle is OK. Have the service advisor explain to the customer that the vehicle is OK, and that the consumption of oil is within a normal range.

NOTE: Have the service advisor remind the customer to regularly check the engine oil level every time the fuel tank is filled. Modern engines require less frequent oil changes, which may impact the amount of oil used between oil changes.

## REPAIR PROCEDURE

The following electronic service manual procedures have been used in full or in part within this service bulletin. For more detail on these procedures and torque specifications, refer to the electronic service manual.

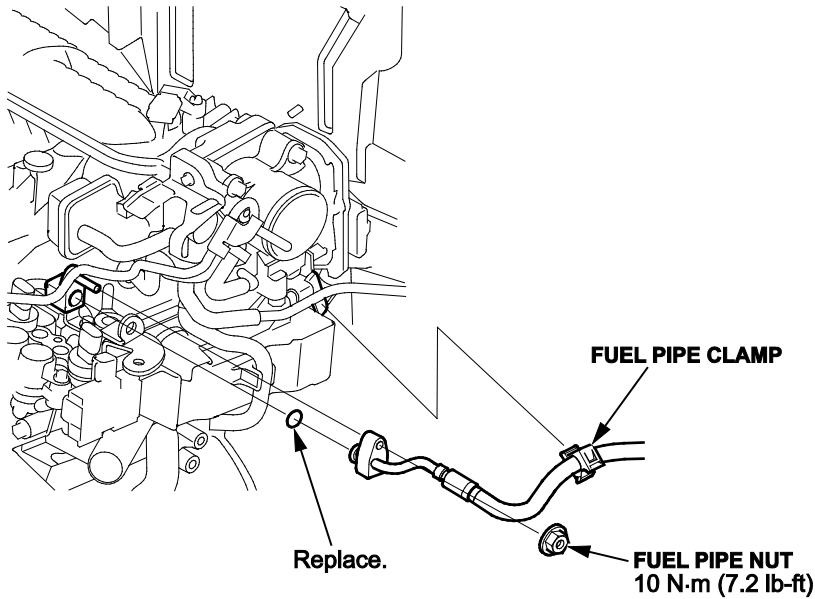
- Windshield Wipers & Cowl Removal
- Fuel Pressure Relieving
- Air Cleaner Assembly Removal
- Intake Manifold Removal and Installation
- Engine Oil Replacement
- Coolant Replacement
- Drive Belt Removal/Installation
- Warm-Up TWC Removal/Installation
- Cam Chain Removal
- Cylinder Head Removal
- Valve Adjustment
- Oil Pan Installation
- PCM Idle Learn Procedure

1. Remove the windshield wipers and cowl cover.
2. Relieve the fuel pressure.
3. Drain the radiator. Drain the coolant from the engine block by removing the rear drain plug on the backside of the block.

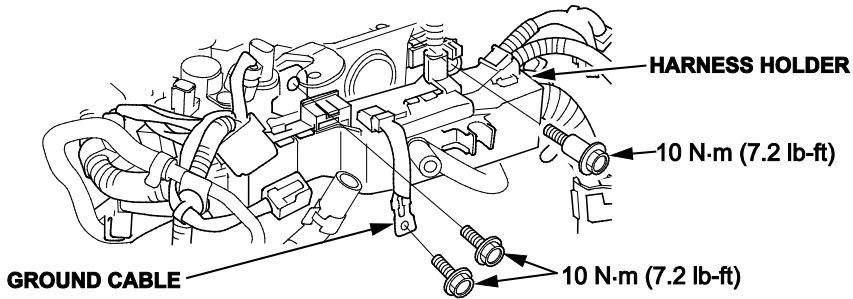
NOTE: Collect coolant in a clean container for re-use. Reinstall the 28 mm drain bolt using a new washer when coolant is completely drained.

4. Disconnect the negative cable from the 12-volt battery.
5. Remove the air cleaner assembly.
6. Remove the intake manifold, and leave the throttle body in place.
7. Remove the eight ignition coils.
8. Disconnect the following engine wire harness connectors and wire harness clamps from the cylinder head:
  - Four injector connectors
  - ECT sensor 1 connector
  - CMP sensor connector
  - Secondary HO2S connector
  - Rocker arm oil control solenoid connector
9. Remove the harness holder and disconnect the breather hose.

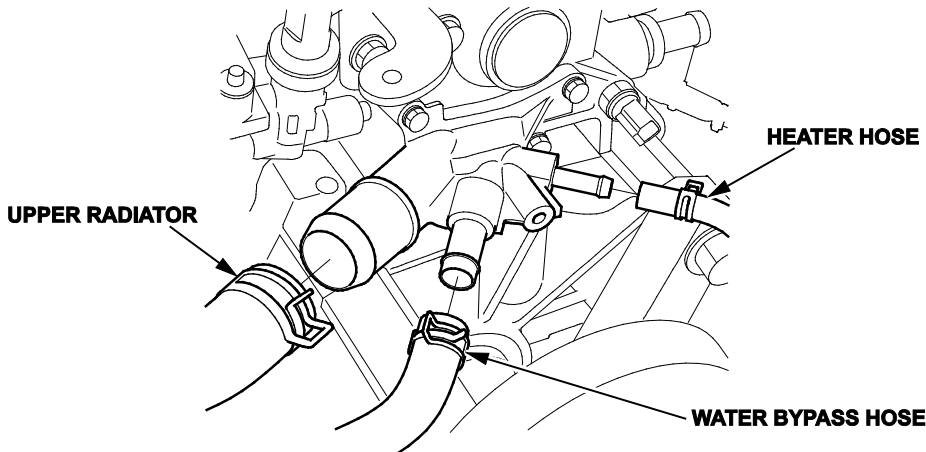
10. Remove the fuel pipe nut and the fuel pipe clamp. Hold a shop towel around the fuel pipe as fuel will leak out while disconnecting.



11. Remove the harness holder mounting bolts and the ground cable, then remove the harness holder.



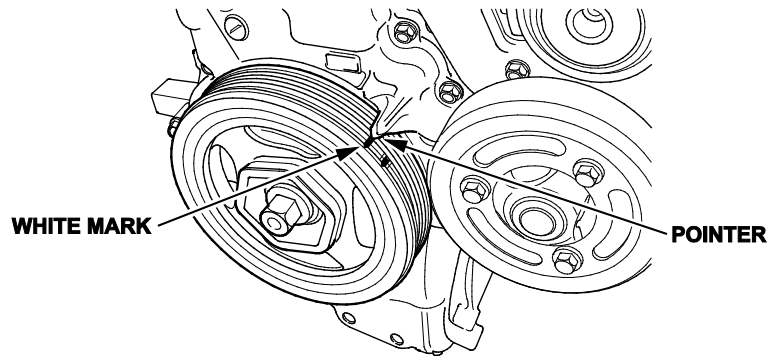
12. Disconnect the upper radiator hose, the water bypass hose, and the heater hose from the cylinder head assembly.



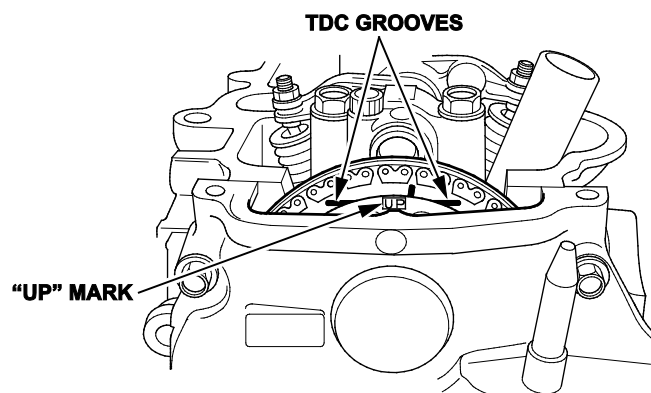
13. Remove the drive belt.  
14. Remove the warm-up TWC.

## CAM CHAIN REMOVAL

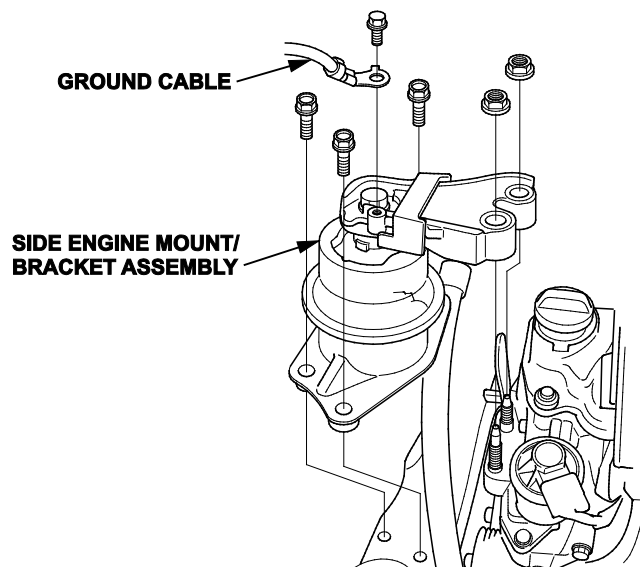
1. Turn the crankshaft so its white mark lines up with the pointer.



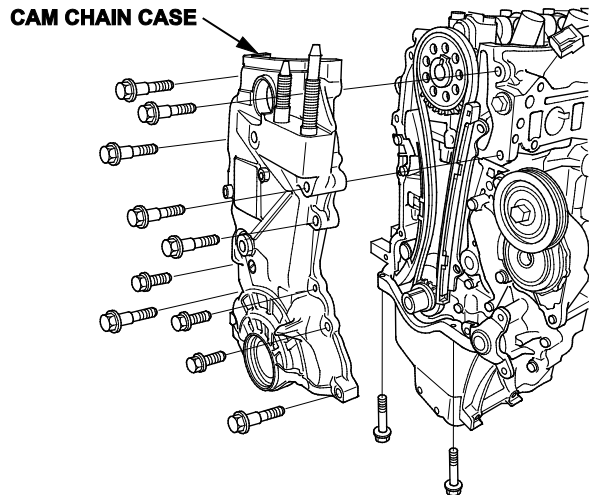
2. Remove the cylinder head cover.
3. Check the No. 1 piston at top dead center. The "UP" mark on the camshaft sprocket should be at the top, and the TDC grooves on the camshaft sprocket should line up with the top edge of the head.



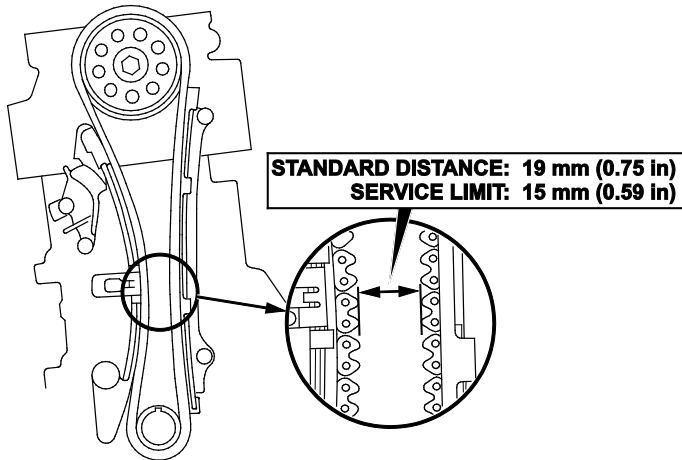
4. Remove the right front wheel.
5. Remove the splash shield.
6. Remove the water pump pulley.
7. Remove the crankshaft pulley.
8. Support the engine with a jack and a wood block under the oil pan.
9. Remove the ground cable, then remove the side engine mount/bracket assembly.



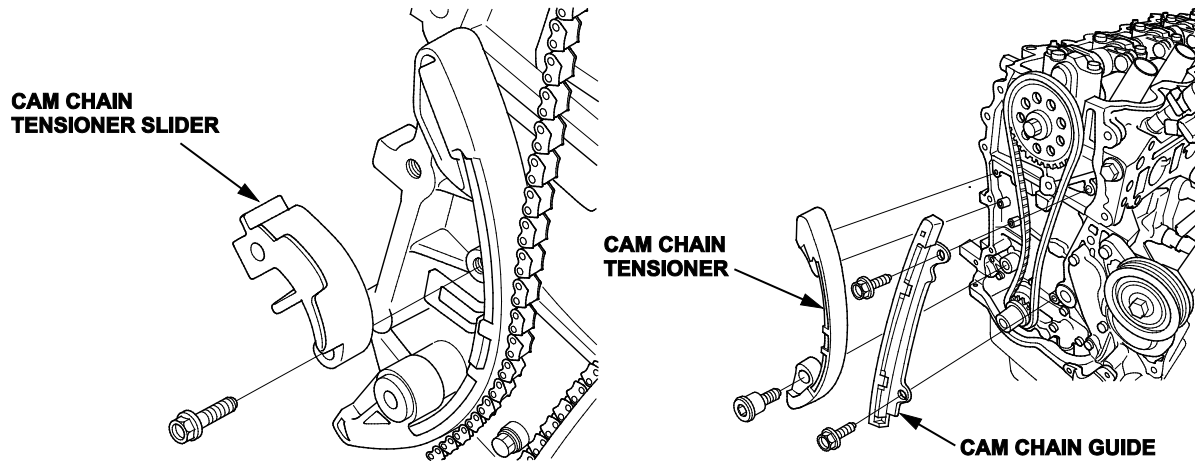
10. Remove the cam chain case.



11. Measure the cam chain separation. If the distance is less than the service limit, replace the cam chain and the cam chain tensioner.



12. Remove the cam chain tensioner and cam chain guides.



13. Remove the cam chain.

## CYLINDER HEAD REMOVAL AND INSPECTION

1. Remove the cylinder head bolts. To prevent warpage, loosen the bolts in sequence 1/3 turn at a time. Repeat this sequence until all of the bolts are removed.
2. Remove the cylinder head and visually inspect the head of the valves on the combustion side of the cylinder head for damage.

NOTE: This is only a visual inspection looking for damage to the valves.

- If any of the valves show any signs of damage, replace the cylinder head and go to CYLINDER BORE INSPECTION.
  - If the valves are ok, go to step 3.
3. Visually inspect each of the spark plugs for damaged or melted pieces of the center electrode or ground electrode.
    - If any of the spark plug shows signs of damage, remove the valve closest to the damaged plug from the cylinder head and go to step 4.
    - If the spark plugs are ok, go to CYLINDER BORE INSPECTION.
  4. Visually inspect the cylinder head valve seat and the valve seat face for damage.
    - If there are any signs of damage (physical or local heat buildup) replace the cylinder head and go to CYLINDER BORE INSPECTION.
    - If the valves and valves seats are ok, reassemble the cylinder head, and go to CYLINDER BORE INSPECTION.

## CYLINDER BORE INSPECTION

1. Check the cylinder walls by rubbing your fingernail or a pencil with light pressure perpendicular to any vertical scratches that are in the cylinder bore.
  - If your fingernail or a pencil does not catch on the scratches, the cylinder block is OK. Go to INSTALLATION OF ENGINE SUPPORT.
  - If your finger nail or pencil catches on the scratches, replace the engine block. This bulletin no longer applies. You must obtain DPSM approval and refer online to **Engine Removal and Installation** to replace the engine.



Normal honing marks shown.

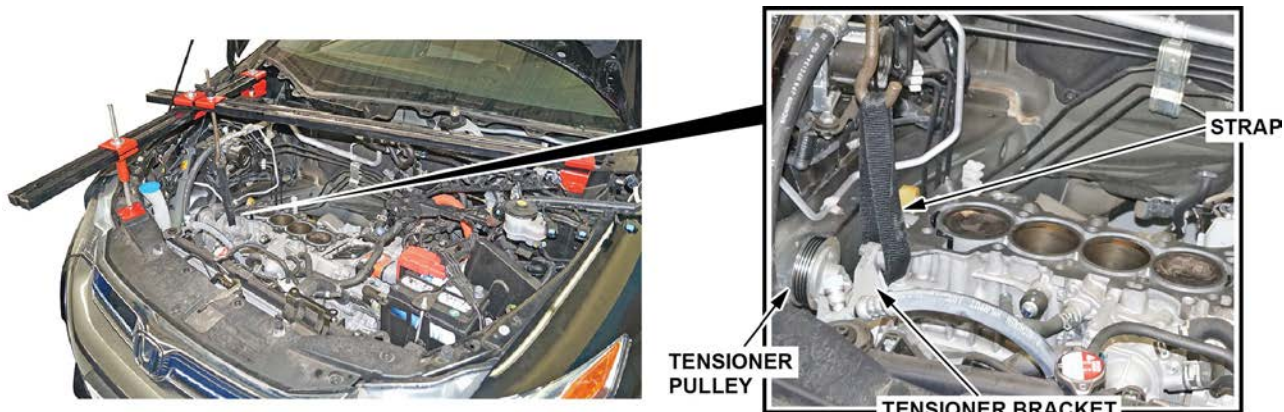


Light scratches are not abnormal. Ensure a fingernail or pencil "catches" on the scratches before replacing the block.



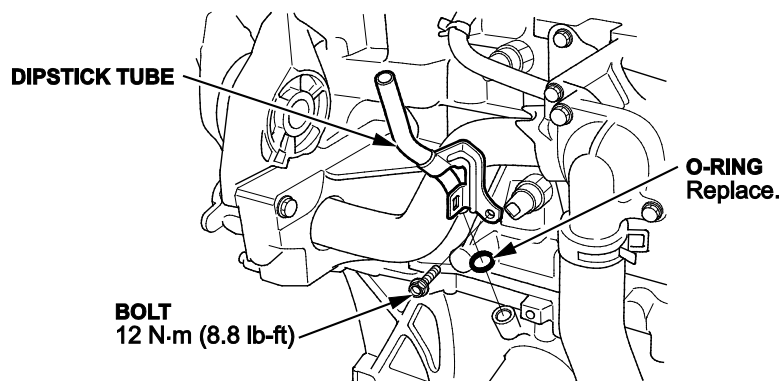
## INSTALLATION OF ENGINE SUPPORT

1. Use two support bars in a T-configuration to support the front end of the short block with a suitable strap through the tensioner bracket.

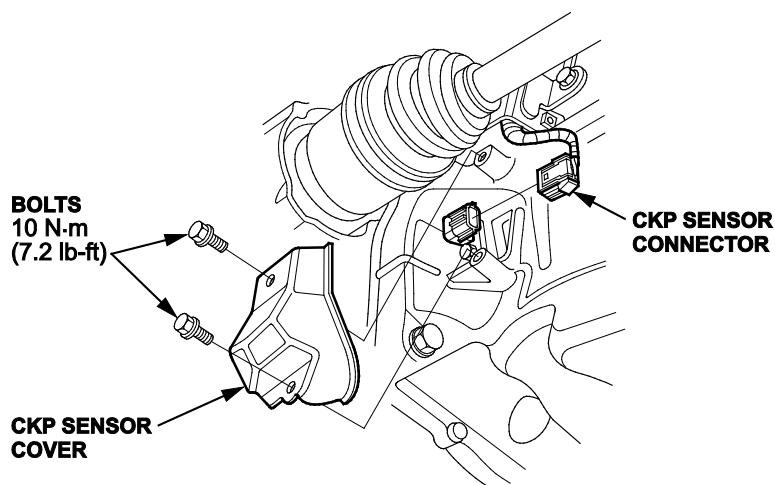


## OIL PAN REMOVAL

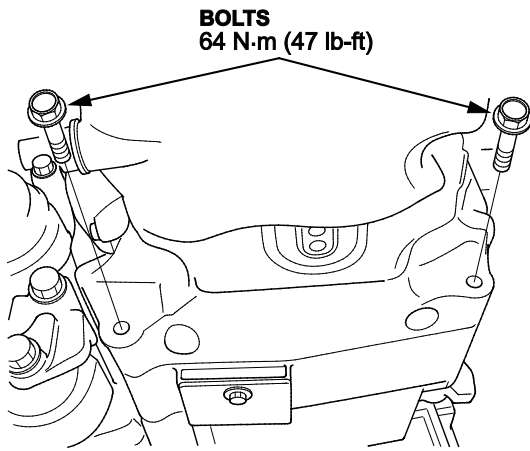
1. Raise the vehicle.
2. Drain the engine oil.
3. Remove the driveshaft heat shield bolt from the engine oil pan.
4. Remove the A/C compressor without disconnecting the A/C lines. Support the compressor with a strap to prevent it from hanging on the A/C lines.
5. Remove the dipstick, then remove the dipstick tube.



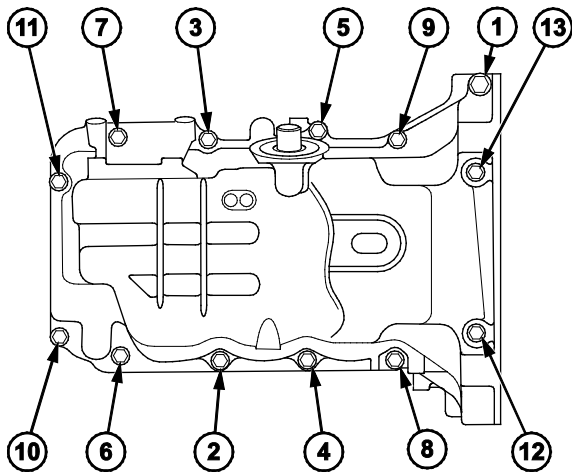
6. Remove the CKP sensor cover, then disconnect and remove the CKP sensor connector.



7. Remove the transmission mounting bolts.



8. Remove the oil pan bolts.

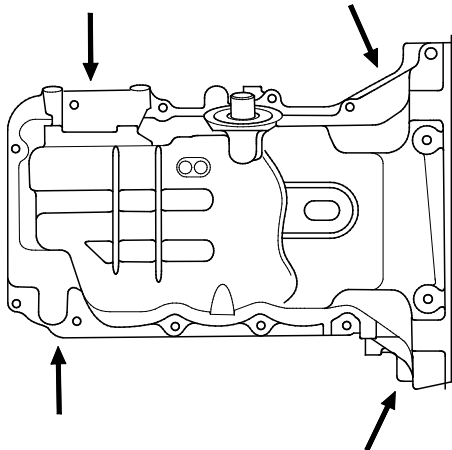


**Specified Torque**

①: 24 N·m (17 lb-ft)

②–⑬: 12 N·m (8.8 lb-ft)

9. Using a flat-blade screwdriver, separate the oil pan from the engine block in the places shown.



10. Remove the oil pan.

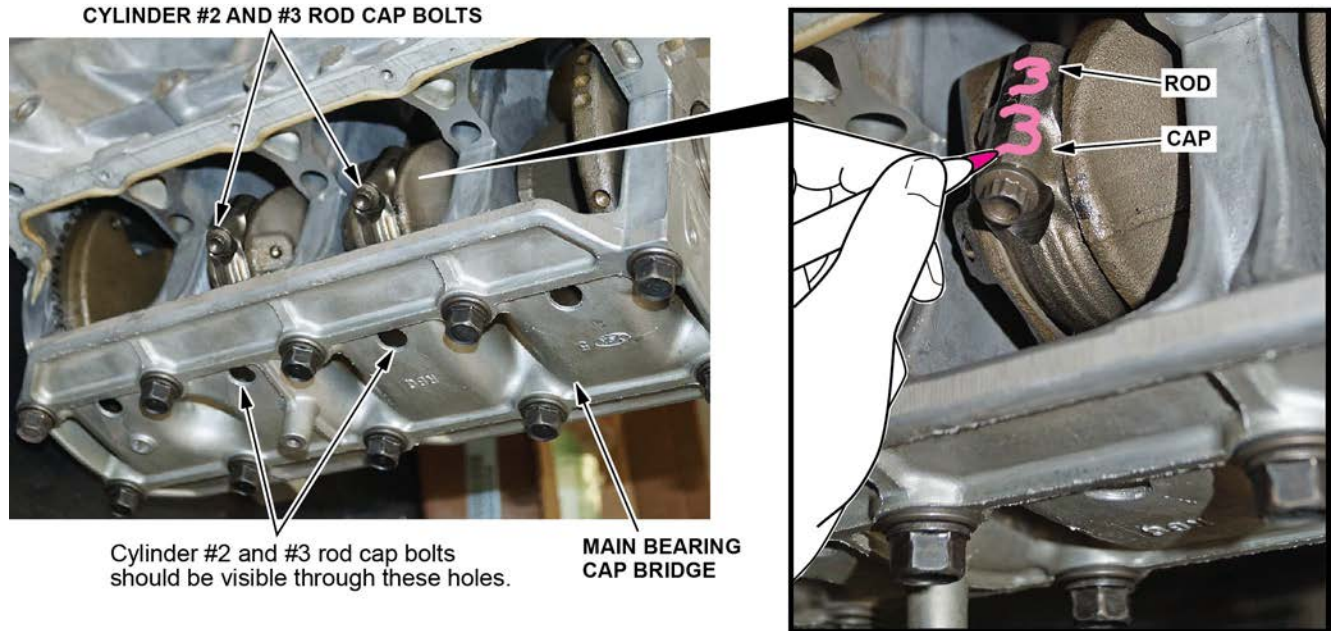
NOTE: Lower the oil pan carefully to avoid damaging the IMA motor rotor position sensor.

11. Remove the oil screen.

## REMOVAL OF PISTONS AND RODS

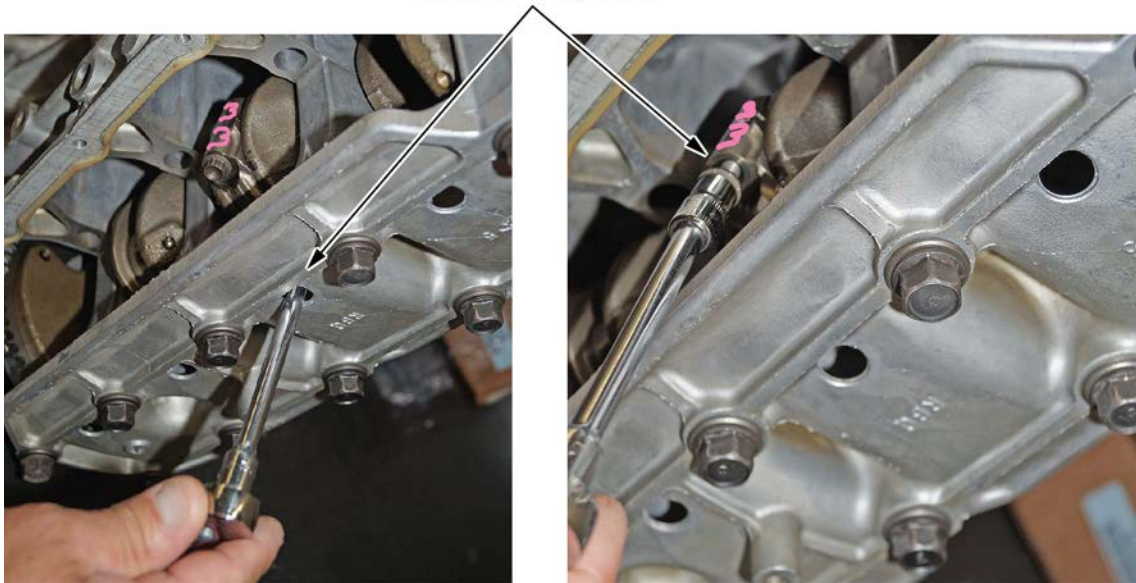
NOTE: Before and during removal of pistons, rods, and caps, mark each piston top with the cylinder number and direction mark towards the front of the engine.

1. Prepare your work bench with a number location for each piston rod assembly to ensure the rods and caps are not mixed as they are not interchangeable. The numbers stamped across the side of the rod and cap does not indicate the cylinders they came from; they are a manufacturing number.
2. Install the crank pulley and the key on the crank without the bolt.
3. Beginning with cylinder No. 2 and 3 at Bottom Dead Center (BDC), rotate the crank slightly until the rod cap bolts align with the holes on the main bearing cap bridge. Mark the caps to the rods with a grease pen as shown below.



4. Using a ¼ inch drive 8 mm 12-point socket (Snap-On TMMD8 or equivalent), loosen and remove the rod caps for cylinders No. 2 and 3, then set the caps on the bench next to the corresponding numbers.

Remove rod cap bolts.

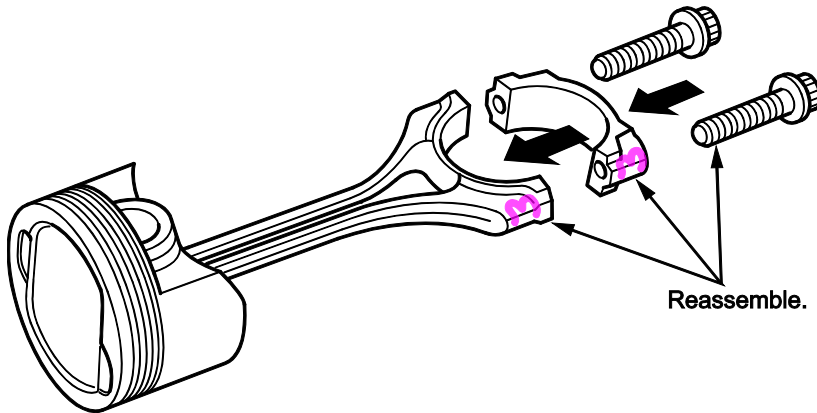


5. Using a wooden or plastic handled hammer, gently push the pistons and rod assemblies No. 2 and 3 out of the short block.
6. Rotate the crankshaft 180 degrees, then repeat steps 3, 4, and 5 on cylinders No. 1 and 4.
7. Visually inspect all connecting rod bearings for signs of damage.

NOTE: If your fingernail catches on a scratch or groove in the bearing, replace it. Pictured are normal, reusable rod bearings after about 35,000 miles. Some discoloration is normal and does not require replacement.



8. Reassemble the rod caps on the corresponding rods.



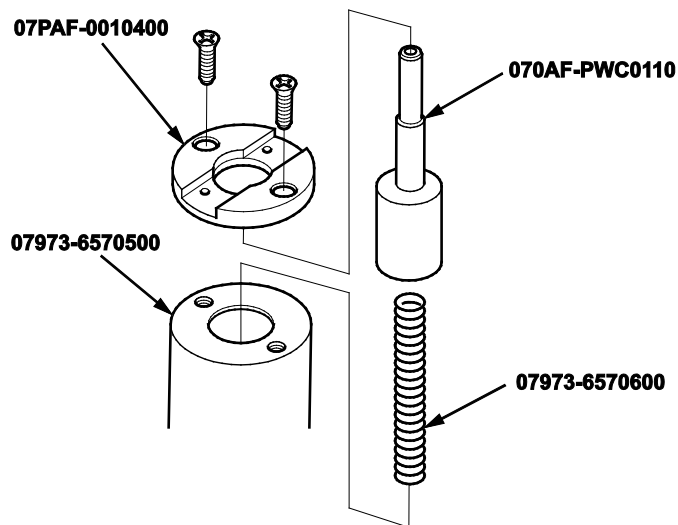
## PISTON & PIN REPLACEMENT

### Special Tools Required

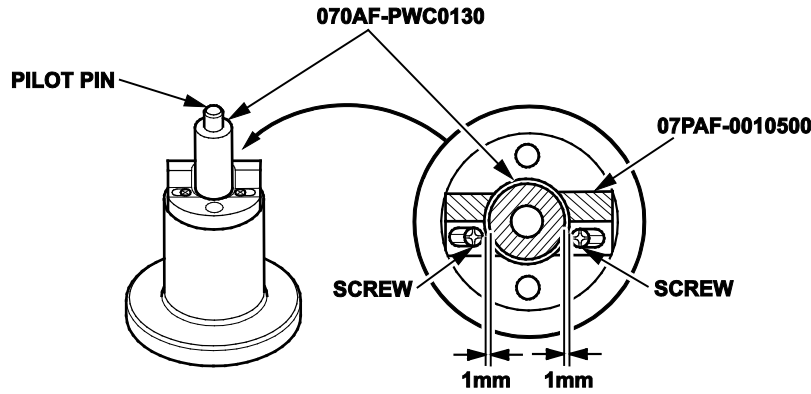
Part Name	Tool Number	Quantity
Piston Base	07973-65700500 or 07973-657A500	1
Piston Base Head	07PAF-0010400 or 07PAF-001A400 or 07TGF-001000A	1
Piston Base Head Insert	07PAF-0010500 or 07PAF-001A500 or 07TGF-001000A	1
Insert Pin	07PAF-0010700 or 07PAF-001A700	1
Piston Base Spring	07973-6570600 or 07973-657A600	1
Pilot Collar OD 18 mm	070AF-PWC0130 or 070AF-PWCA130	1
Insert Adjust	070AF-PWC0120 or 070AF-PWCA120	1
Pilot Pin	070AF-PWC0110 or 070AF-PWCA110	1

### Disassembly

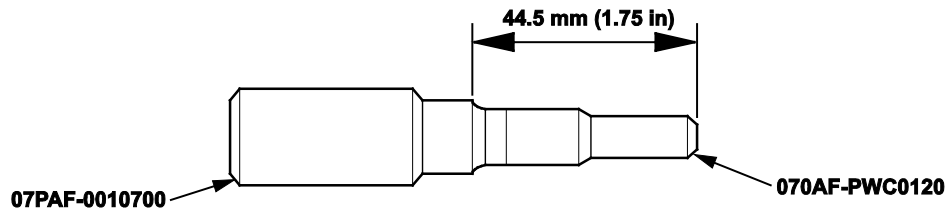
1. Assemble the special tool as shown.



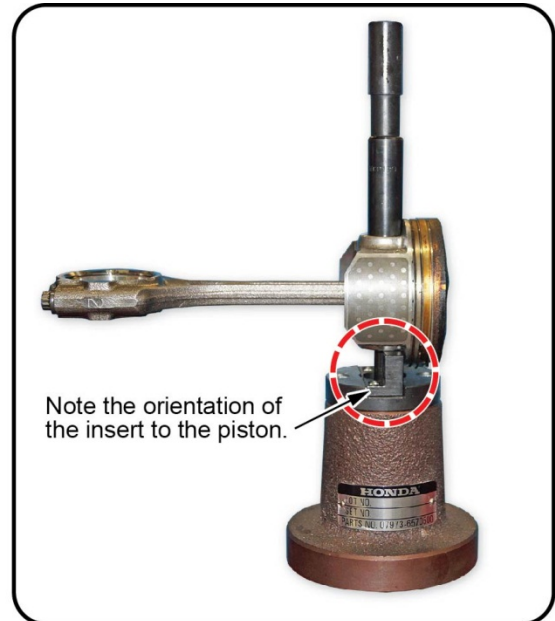
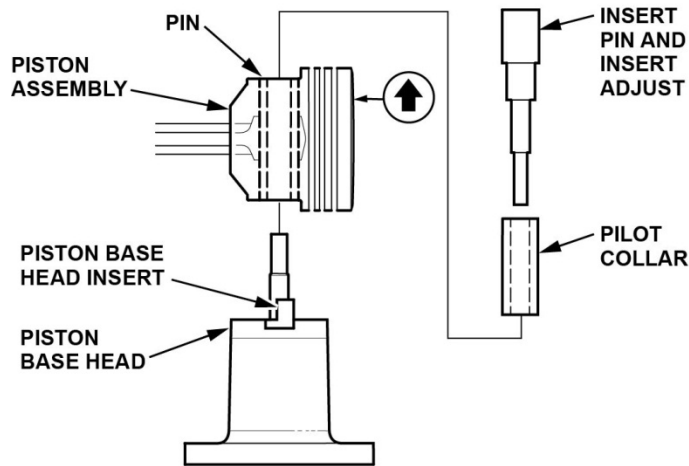
- Temporarily install the pilot collar over the pilot pin and adjust the piston base head insert as shown. Then tighten the screws. Remove the pilot collar.



- Assemble and adjust the length of the insert pin and insert adjust to 44.5 mm.

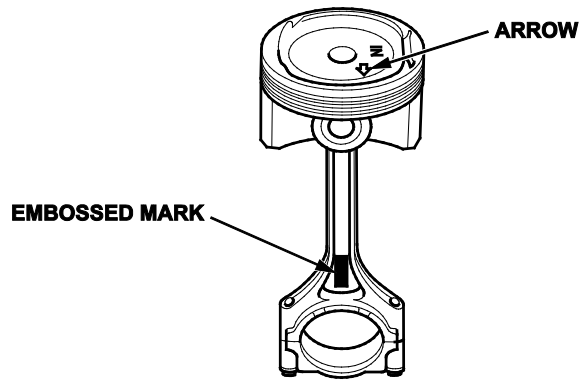


- Starting with rod assembly No. 1, clearly mark the rod with the piston number. With the arrow on top of the piston pointing up, place the piston assembly on the piston base head insert as shown.

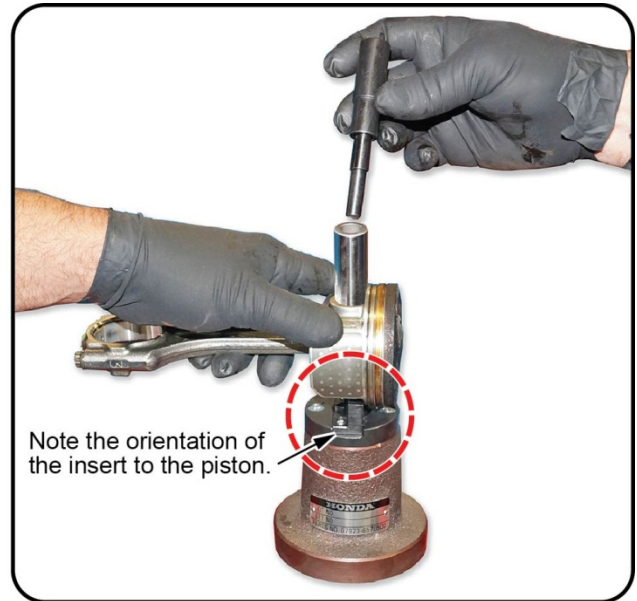
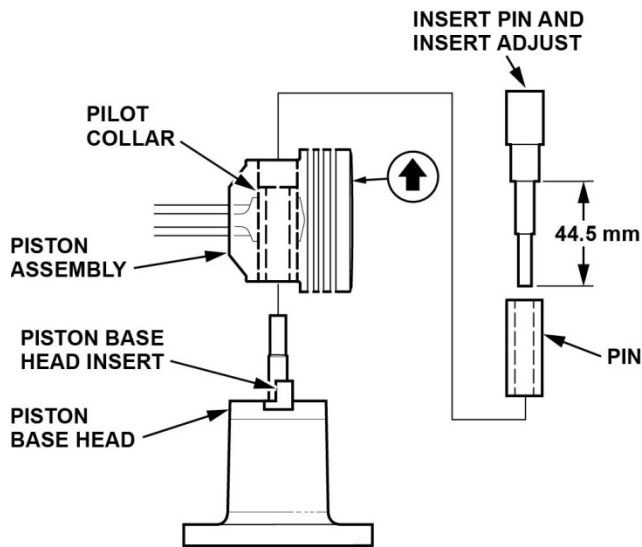


- Press the pin out with the insert pin, the insert adjust tool, the pilot collar, and a hydraulic press.
- Repeat steps 4 and 5 on pistons No. 2, 3, and 4. Do not reuse the old pistons and pins.

- Starting with piston No. 1, assemble the piston and the connecting rod with the arrow and the embossed mark on the same side.



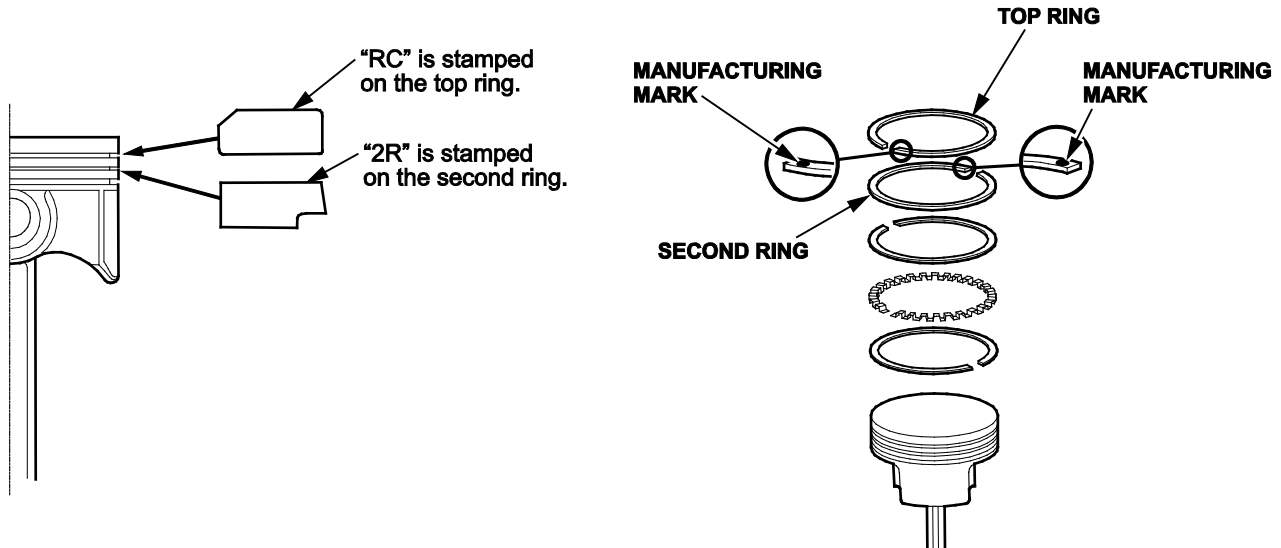
- Insert the pilot collar into the piston and the connecting rod.



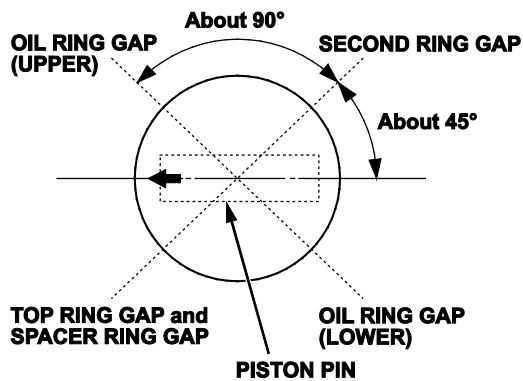
- With the arrow on top of the piston and the embossed mark on the connecting rod facing up, place the piston assembly on the piston base head. Be sure you position the recessed flat area of the piston against the area of the piston base head insert as shown.
- Press the piston pin in using the insert pin, the insert adjust, and a hydraulic press.
- Repeat steps 8 thru 10 with pistons No. 2, 3, and 4.

## ASSEMBLE NEW RINGS ON NEW PISTONS

1. Install the rings as shown. The top ring has an "RC" mark, and the second ring has a "2R" mark. The manufacturing marks must face upward.



2. Rotate the rings in their grooves to make sure they do not bind.
3. Position the ring end gaps as shown.



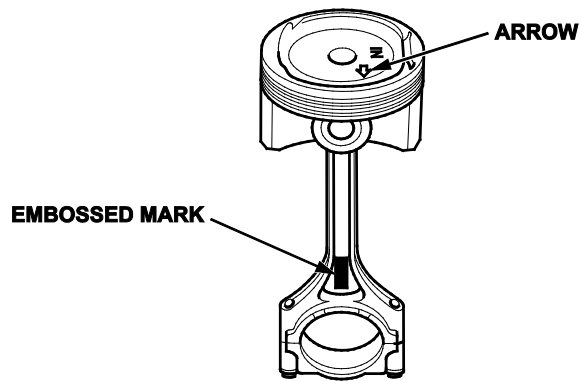
4. Repeat steps 1 thru 3 on the remaining three piston assemblies.

## PISTON INSTALLATION

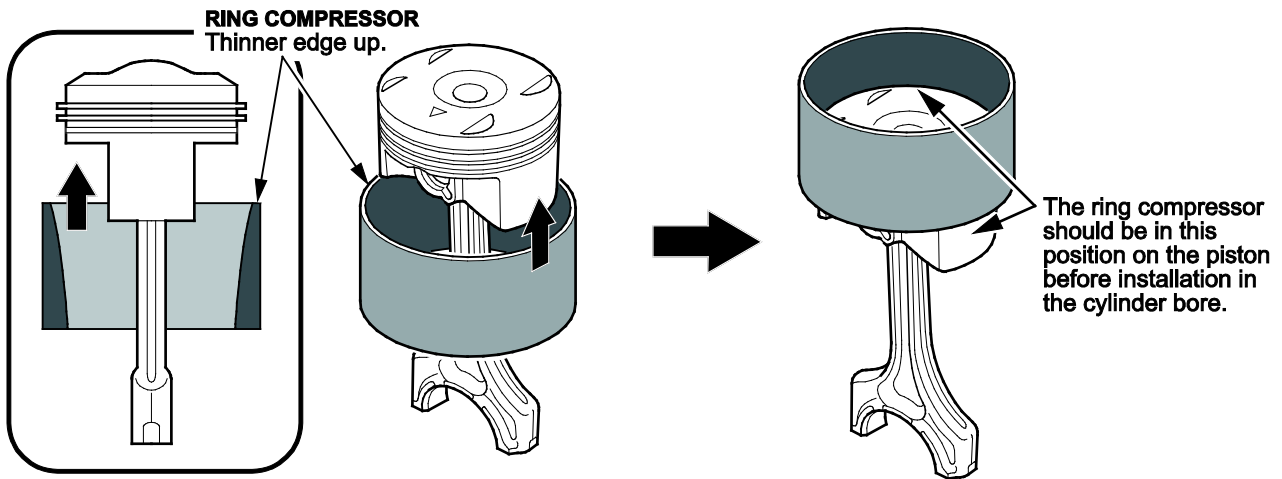
1. Rotate the crankshaft so that cylinders No. 1 and 4 journals are at bottom dead center (BDC).
2. Remove the connecting rod cap to piston No. 1 and check that the bearing is securely in place.
3. Apply new engine oil to the entire piston, the inside of the ring compressor, the cylinder bore, and the rod bearings.



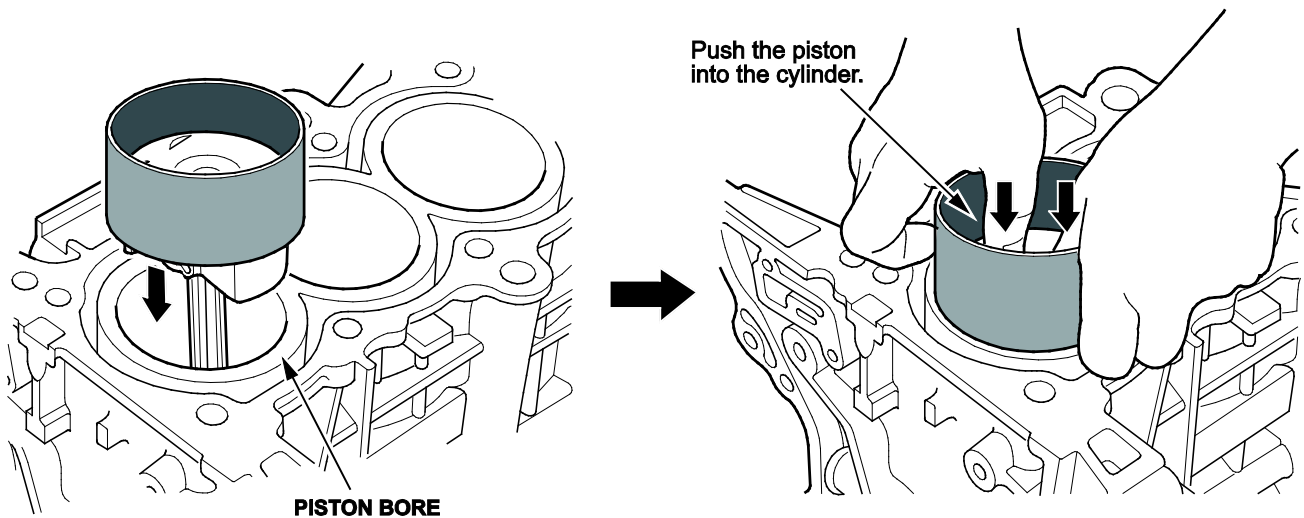
4. Position the embossed mark on the rod to face the cam chain end of the engine block.



5. Set the piston in the ring compressor and position it in the cylinder, noting the rod/cap marks that you made in step 3 of REMOVAL OF PISTONS AND RODS.

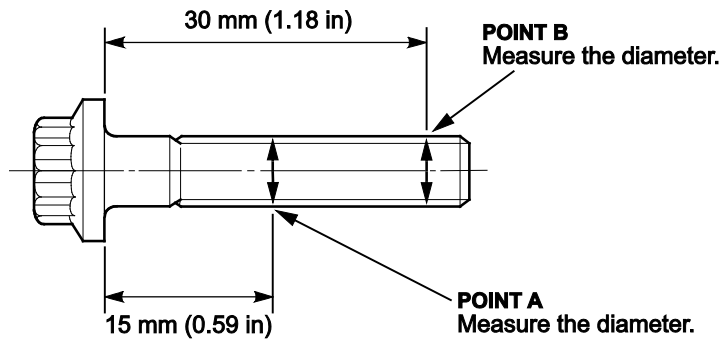


6. Set the ring compressor on the piston bore, then push the piston in with your hands.



7. Stop after the ring compressor pops free, and check the connecting rod-to-rod journal alignment before pushing the piston into place.

- Measure the diameter of each connecting rod bolt at point A and point B with a micrometer.



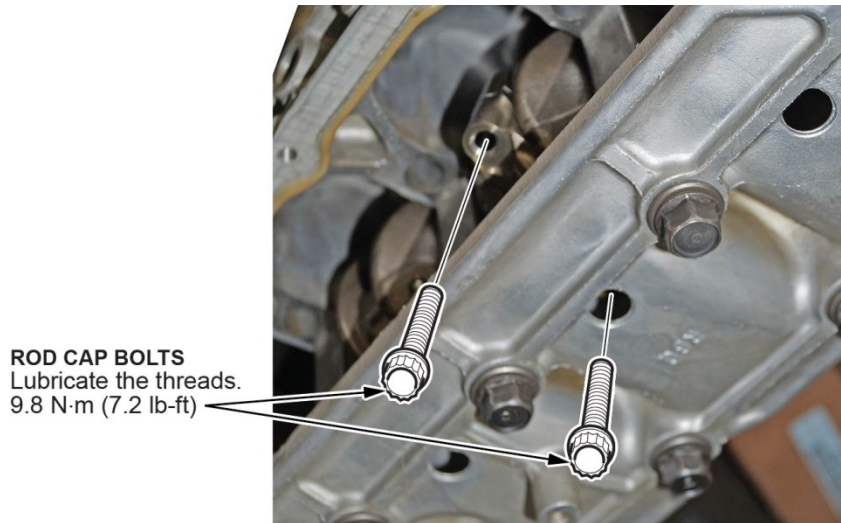
- Calculate the difference in diameter between point A and point B.

**Point A – Point B = Difference in diameter**

**Difference in Diameter**

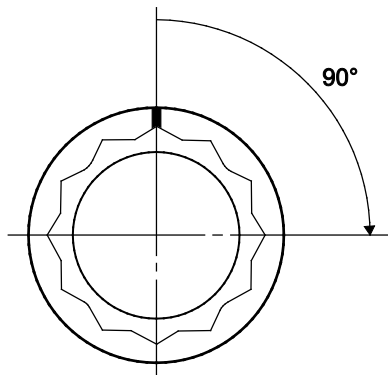
**Specification: 00.05 mm (00.002 in)**

- If the difference in diameter is out of tolerance, replace the connecting rod bolts.
- Apply new engine oil to the bolt threads, then install the rod caps with the bearings. Rotate the crankshaft slightly off BDC in order to line up the cap bolts with the access hole on the main bearing bridge.

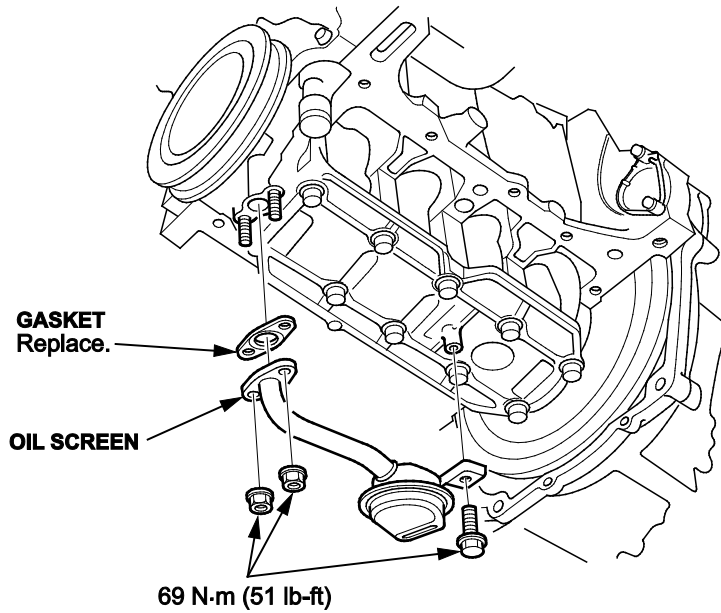


- Torque the bolts to **9.8 N·m (7.2 lb-ft)**.
- Tighten the connecting rod bolts an additional 90 degrees.

**NOTE:** Remove the connecting rod bolt if you tightened it beyond the specified angle, and go back to step 12 and 13 of the procedure. Do not loosen it back to the specified angle

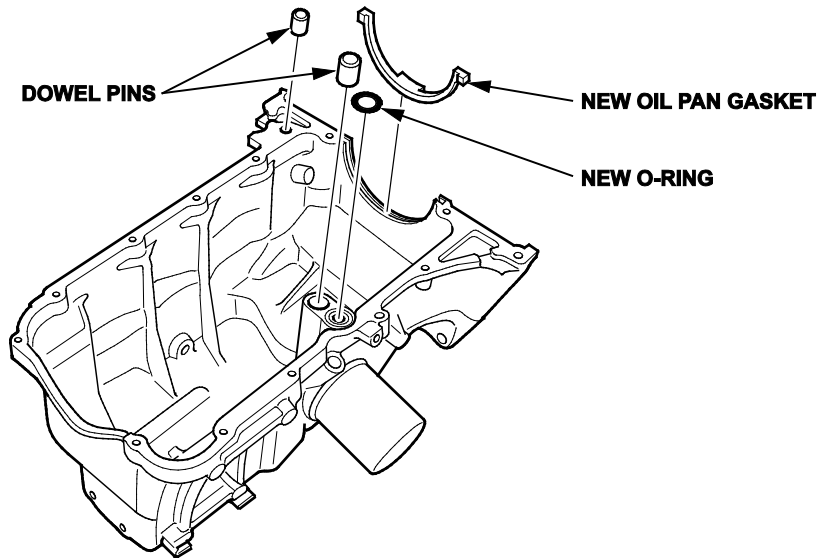


14. Repeat steps 8 thru 13 to install piston No. 4.
15. Rotate the crankshaft 180 degrees and repeat steps 8 thru 13 to install pistons No. 2 and 3.
16. Install the oil screen and gasket. Then torque the nuts to **69 N·m (51 lb-ft)**.



### OIL PAN INSTALLATION

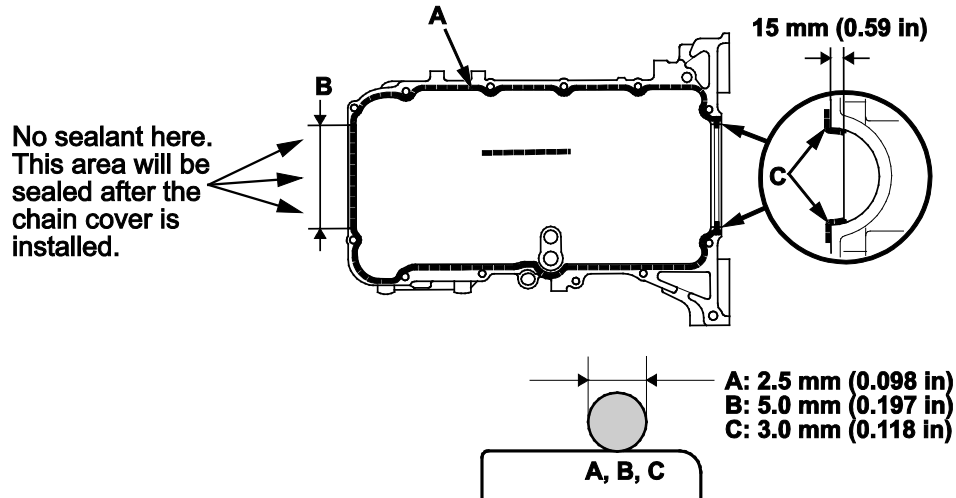
1. Remove all of the old liquid gasket from the oil pan mating surfaces, the bolts, and the bolt holes.
2. Clean and dry the oil pan mating surfaces and the O-ring groove.
3. Install the new oil pan gasket, the new O-ring, and the dowel pins on the oil pan.



4. Apply liquid gasket (P/N 08717-0004, 08718-0003, or 08718-0009) to the engine block mating surface of the oil pan and to the inside edge of the bolt holes but not on the mating surfaces for the timing chain cover. Install the component within 5 minutes of applying the liquid gasket.

NOTE:

- Apply a 2.5 mm (0.098 in)-diameter bead of liquid gasket along the broken line A.
- Apply a 5.0 mm (0.197 in)-diameter bead of liquid gasket to the shaded area B.
- Apply a 3.0 mm (0.118 in)-diameter bead of liquid gasket to the broken line C.
- If you apply liquid gasket P/N 08718-0012, the component must be installed within 4 minutes.
- If too much time has passed after applying the liquid gasket, remove the old liquid gasket and residue, then reapply new liquid gasket.



5. Install the oil pan.

NOTE:

- Raise the oil pan carefully to avoid damaging the IMA motor rotor position sensor.
- Wait at least 30 minutes before filling the engine with oil.
- Do not run the engine for at least 3 hours after installing the oil pan.
- Make sure to install the bolts in the correct locations according to size.

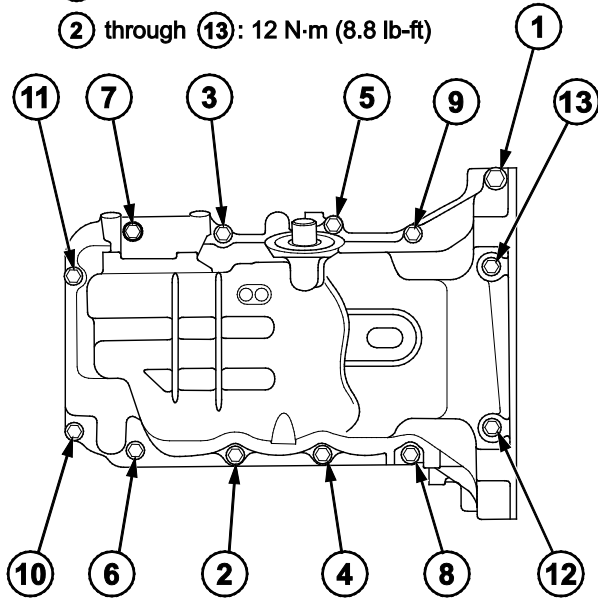
6. Tighten the bolts in three steps. Wipe off the excess liquid gasket from the crankshaft pulley end and timing chain cover sealing surface along with the drive plate end.

**NOTE: Omit bolts 10 and 11 in the torque sequence. They are not installed until the front timing chain cover is installed.**

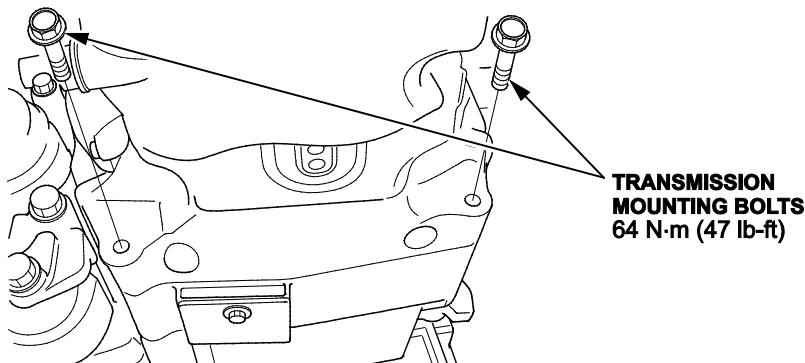
**SPECIFIED TORQUE**

①: 24 N·m (17 lb-ft)

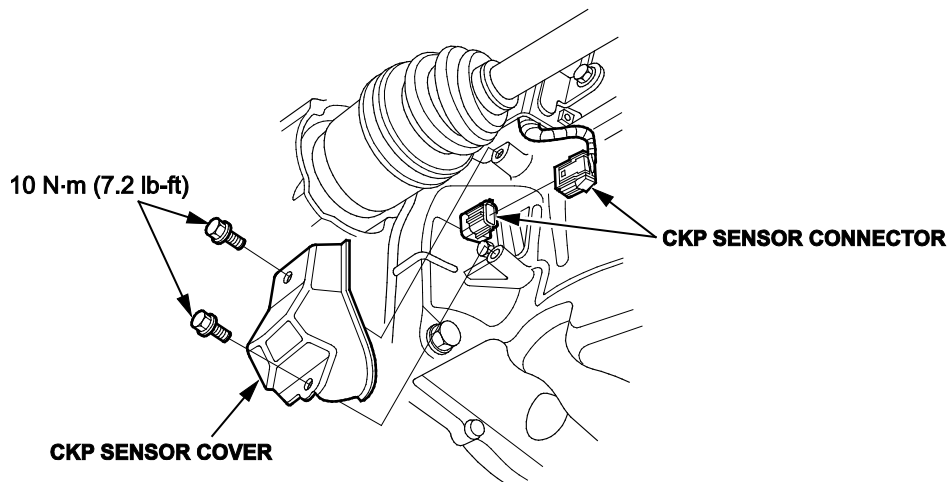
② through ⑬: 12 N·m (8.8 lb-ft)



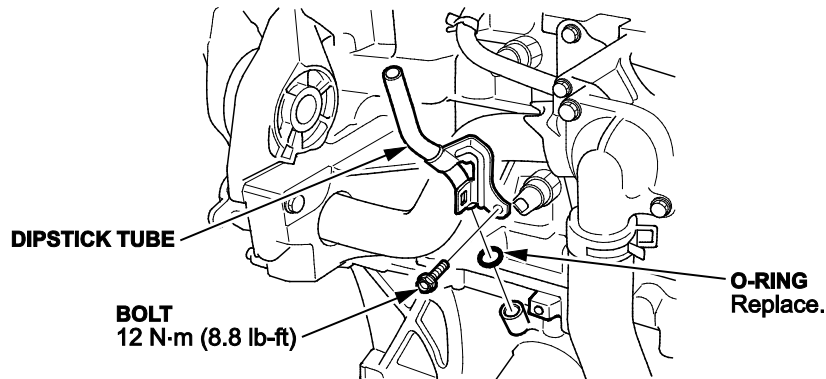
7. Install the transmission mounting bolts and torque them to **64 N·m (47 lb-ft)**.



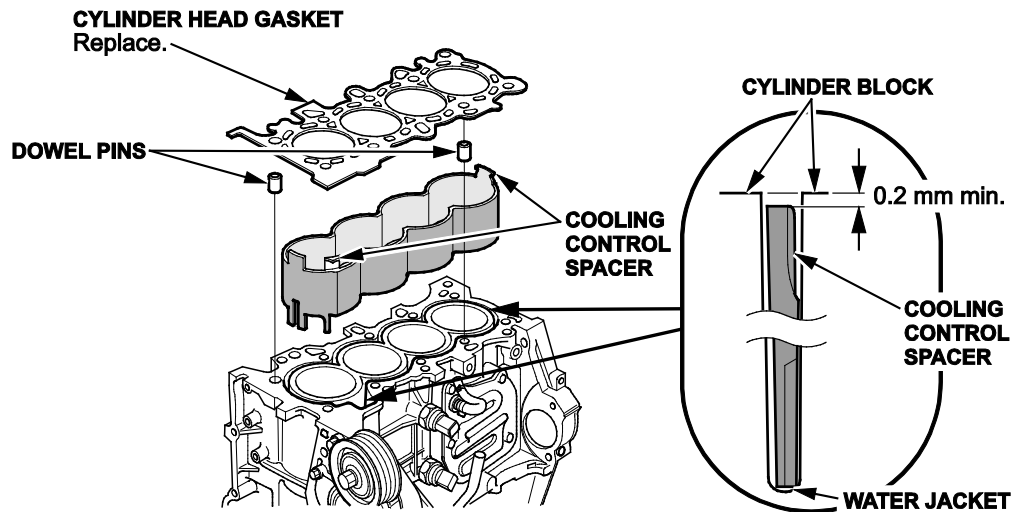
8. Install and connect the CKP sensor connector. Then install the CKP sensor cover and torque the bolts to **10 N·m (7.2 lb-ft)**.



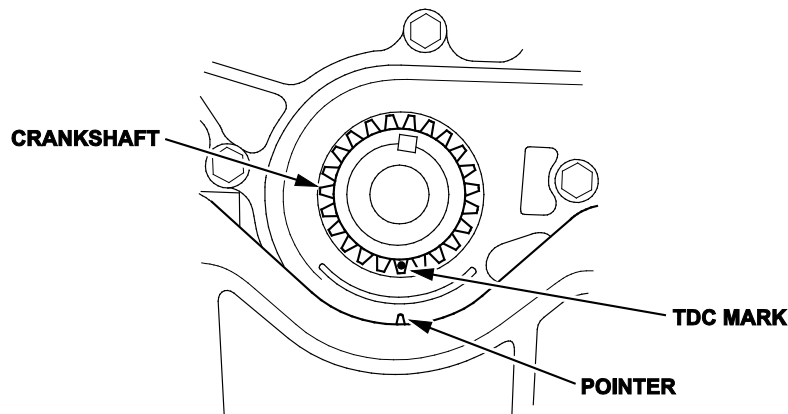
9. Install the A/C compressor.
10. Install the driveshaft heat shield.
11. Lower the vehicle and support the engine with a jack and a wood block under the oil pan.
12. Remove the engine support assembly.
13. Install the dipstick tube with a new O-ring and torque the bolt to **12 N·m (8.8 lb-ft)**. Then install the dipstick.



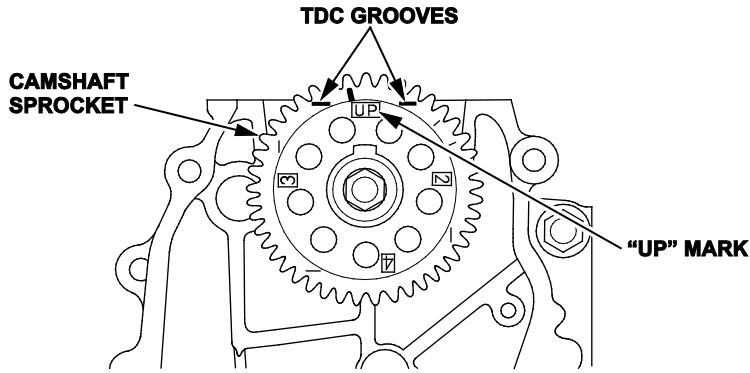
14. Install the new cylinder head gasket and the dowel pins on the engine block. Always use a new cylinder head gasket.



15. Set the crankshaft to top dead center (TDC). Align the TDC mark on the crankshaft sprocket with the pointer on the oil pump.

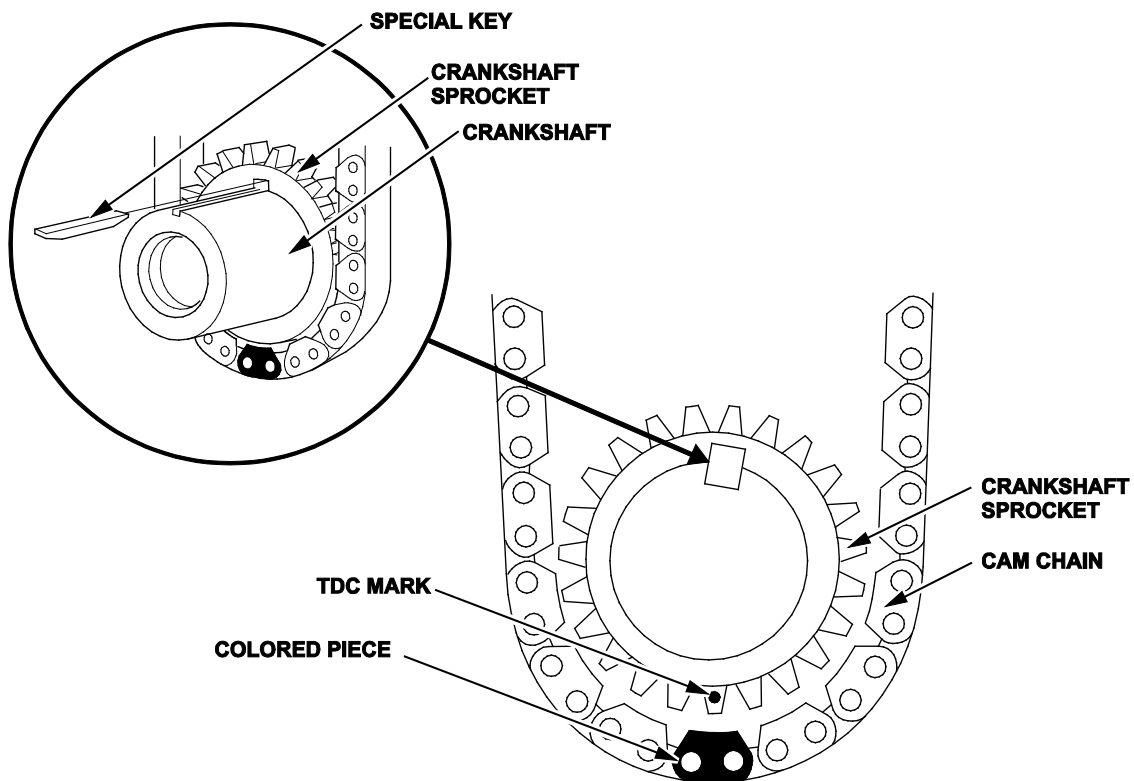


16. Set the camshaft TDC. The "UP" mark on the camshaft sprocket should be at the top and the TDC grooves on the camshaft sprocket should line up with the top edge of the head.

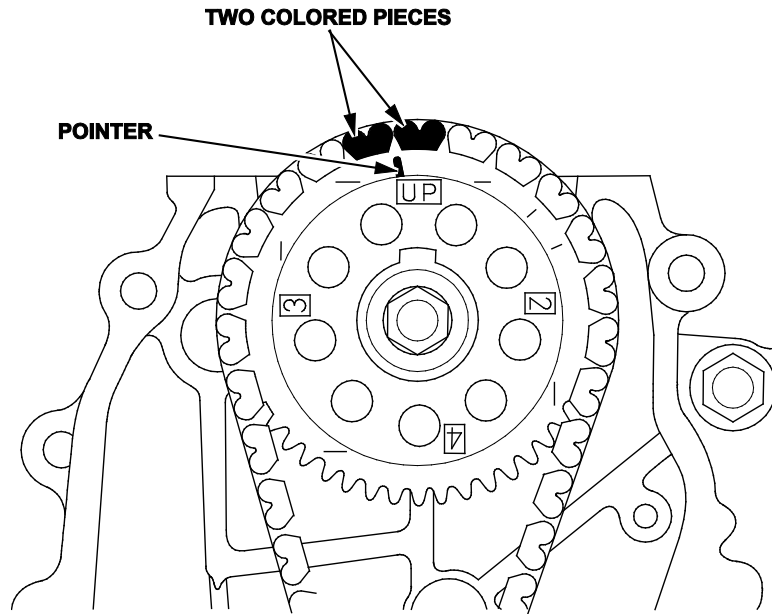


17. Install the cylinder head on the engine block.

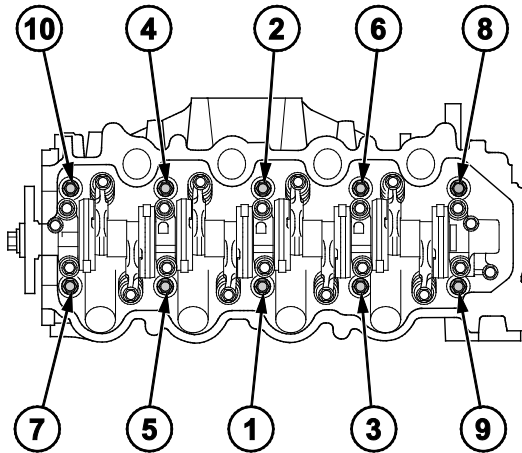
18. Install the cam chain on the crankshaft sprocket with the colored piece aligned with the TDC mark on the crankshaft sprocket, then install the crankshaft sprocket with the special key to the crankshaft.



19. Install the cam chain on the camshaft sprocket with the pointer aligned with the center of the two colored pieces as shown.

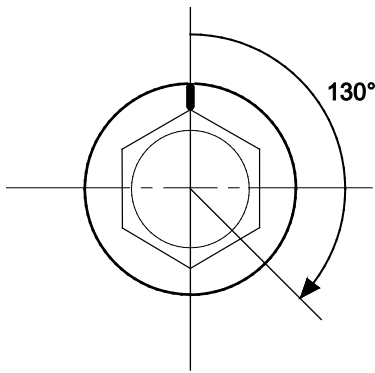


20. Install the water pump pulley.
21. Apply new engine oil to the threads and flange of all cylinder head bolts.
22. Torque the cylinder head bolts in the sequence shown to **29 N·m (22 lb-ft)** with a beam-type torque wrench if possible. When using a preset click-type torque wrench, be sure to tighten slowly and do not over tighten. If a bolt makes any noise while you are torquing it, loosen the bolt and retighten it from the first step.

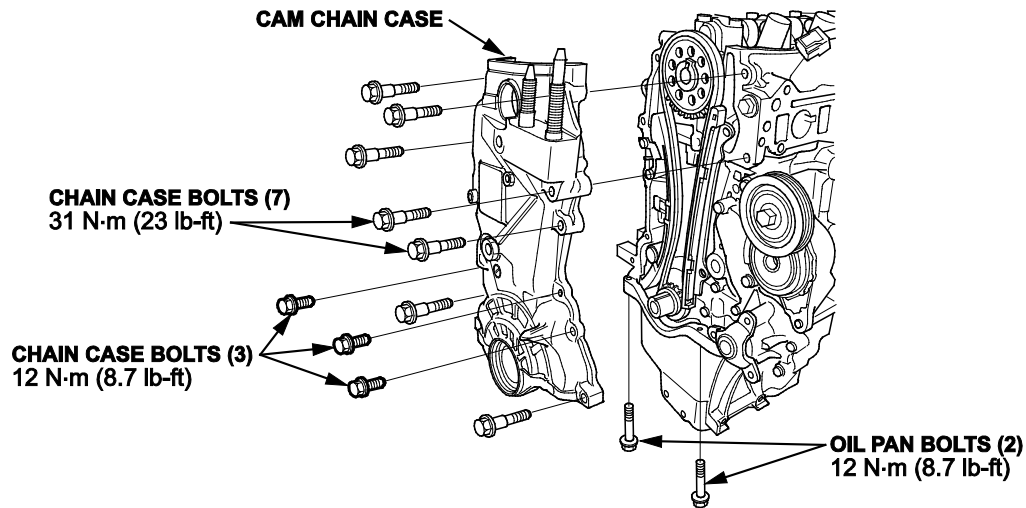




23. Tighten all cylinder head bolts an additional 130 degrees.

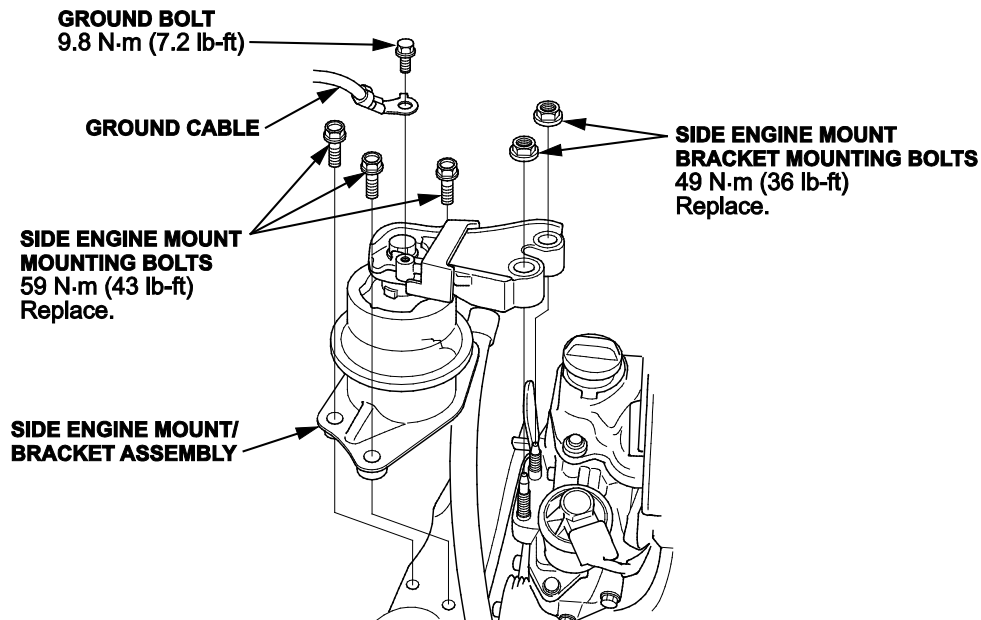


24. Install the cam chain and cover.



25. Install the cylinder head cover.

26. Install the side engine mount using new bolts.



27. Install the warm-up TWC with a new gasket.

28. Install the drive belt.

29. Connect the upper radiator hose, the water bypass hose, and the heater hose.

30. Inspect the valve clearance and adjust it if needed.
31. Reinstall the cylinder head cover.
32. Install the engine harness and ground cable. Then install the fuel pipe nut and the fuel pipe clamp using a new O-ring.
33. Connect the engine wire harness connectors and install the wire harness clamps to the cylinder head:
  - Four injector connectors
  - ECT sensor 1 connector
  - CMP sensor connector
  - Secondary HO2S connector
  - Rocker arm oil control solenoid connector
34. Remove the spark plugs and replace them with new ones.
35. Install the eight ignition coils but leave the connectors unplugged. Install the intake manifold and the air cleaner. Reconnect the battery negative cable.
36. Inspect for fuel leaks. Turn the ignition switch to ON (II) (do not operate the starter) so the fuel pump runs for about 2 seconds and pressurizes the fuel line. Repeat this operation three times, then check for fuel leakage at any point in the fuel line.
37. Refill the radiator using the saved coolant and top off with the new coolant as needed. Then bleed the air from the cooling system.
38. Fill the engine with oil.
39. Crank the engine for about 5 seconds to prime the engine with oil before plugging in the ignition coils.
40. Connect the ignition coils and do the idle learn procedure.

END