

# TECHNICAL BULLETIN

## JTB00434NAS1

### 28 SEP 2015



© Jaguar Land Rover North America, LLC

NOTE: The information in Technical Bulletins is intended for use by trained, professional Technicians with the knowledge, tools, and equipment required to do the job properly and safely. It informs these Technicians of conditions that may occur on some vehicles, or provides information that could assist in proper vehicle service. The procedures should not be performed by 'do-it-yourselfers'. If you are not a Retailer, do not assume that a condition described affects your vehicle. Contact an authorized Jaguar service facility to determine whether this bulletin applies to a specific vehicle.

### **SECTION: 501-08**

## Rear Door Exterior Finisher Delamination

### **AFFECTED VEHICLE RANGE:**

#### **XF (X250)**

**Model Year:** 2013-2015  
**VIN:** U09025-U88785  
**Manufacturing Plant:** Castle Bromwich

### **MARKETS:**

NAS

### **CONDITION SUMMARY:**

**Situation:** On vehicles fitted with black exterior finishers only, the rear door exterior finisher(s) may become separated from the rear door.

**Cause:** This may be caused by heat and stress, leading to adhesion failure.

**Action:** Should a customer express this concern, follow the Service Instruction below.

### **PARTS:**



**NOTE: renew only damaged part(s).**

C2Z17724	Rear door exterior finisher - Black - Right	Quantity: 1 (as required)
C2Z17725	Rear door exterior finisher - Black - Left	Quantity: 1 (as required)
C2Z31690	Rear door exterior finisher short screw (1 per side)	Quantity: 2

### **WARRANTY:**



**NOTE: Repair procedures are under constant review, and therefore times are subject to change; those quoted here must be taken as guidance only. Always refer to TOPIx to obtain the latest repair time.**



**NOTE: DDW requires the use of causal part numbers. Labor only claims must show the causal part number with a quantity of zero.**

DESCRIPTION	SRO	TIME (HOURS)	CONDITION CODE	CAUSAL PART
Rear door exterior finisher - Left-hand - Renew	<b>76.43.84</b>	1.3	07	C2Z17725
Rear door exterior finisher - Right-hand - Renew	<b>76.43.70</b>	1.3	07	C2Z17724

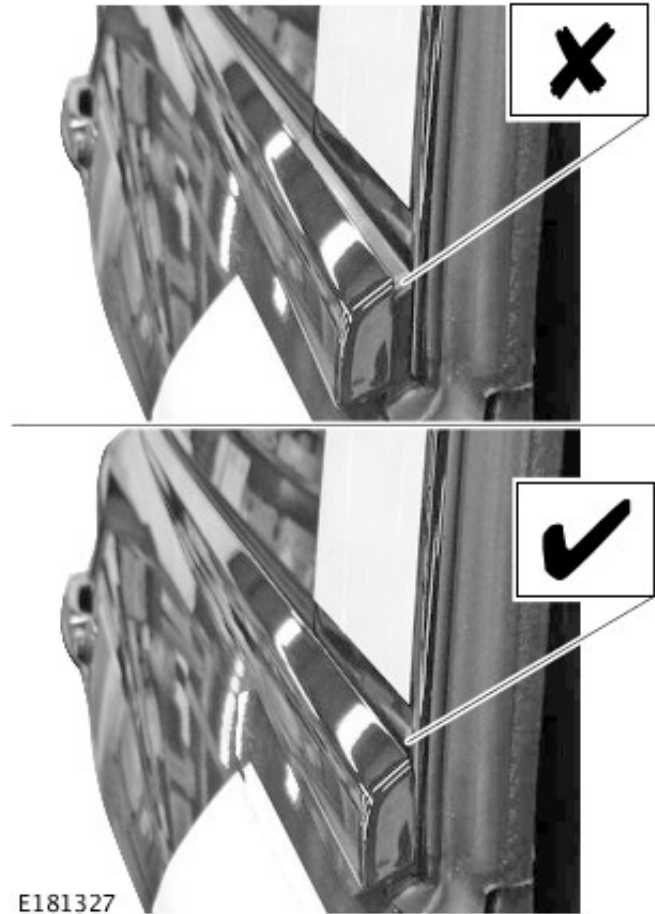


**NOTE: Normal Warranty procedures apply.**

**SERVICE INSTRUCTION:**

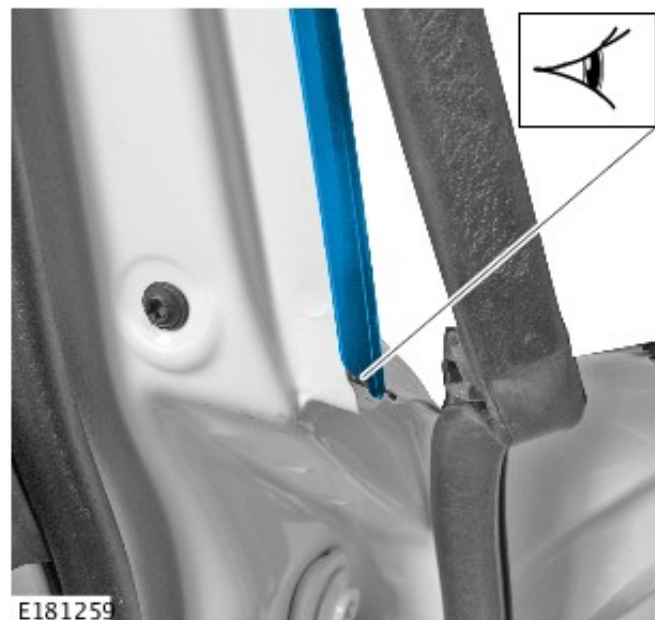
- 1  **NOTE: the rear door exterior finisher will be loose or adrift from the rear door exterior finisher fixing bracket.**

Check the rear door exterior finisher in the area shown for delamination.

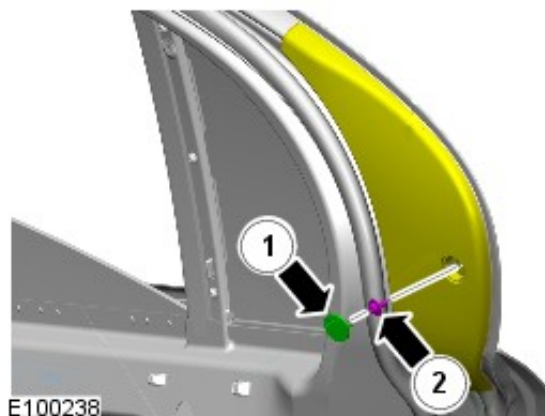


- 2 Check the rear door exterior B-pillar finisher is correctly installed.

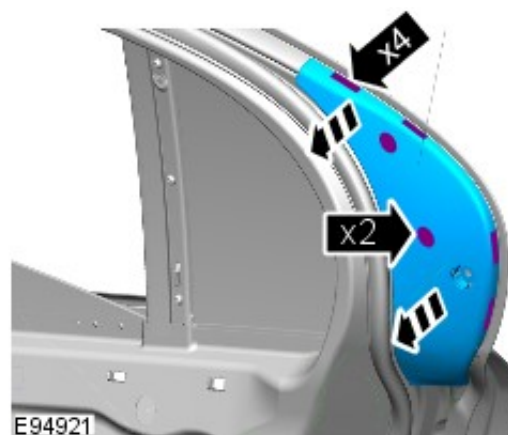
- If the rear door exterior B-pillar finisher is installed **incorrectly** continue from Step 3.
- If the rear door exterior B-pillar finisher is installed **correctly** follow Steps 3 to 6 then continue from Step 17.



3 Remove the rear door cap fixing cover and rear door cap fixing.



4 Remove the rear door cap.



5 Position to one side the rear door seal.

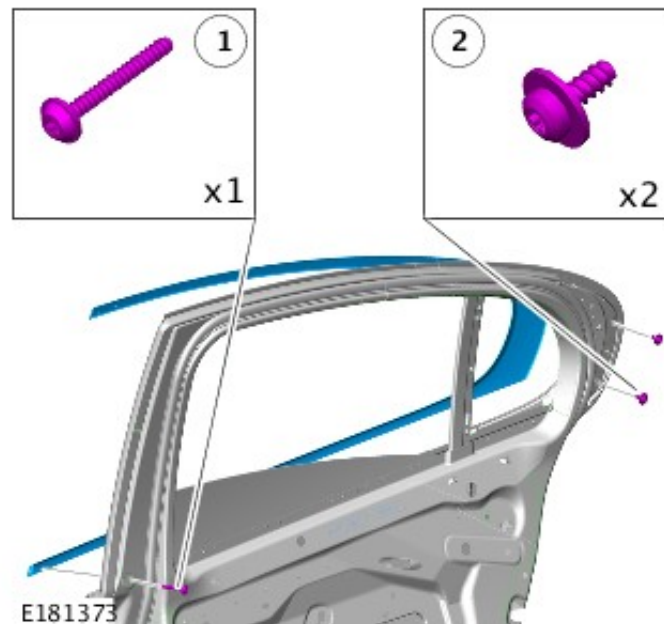


6  **NOTE: note the installed position of the component prior to removal.**

Remove and discard fixing (1).

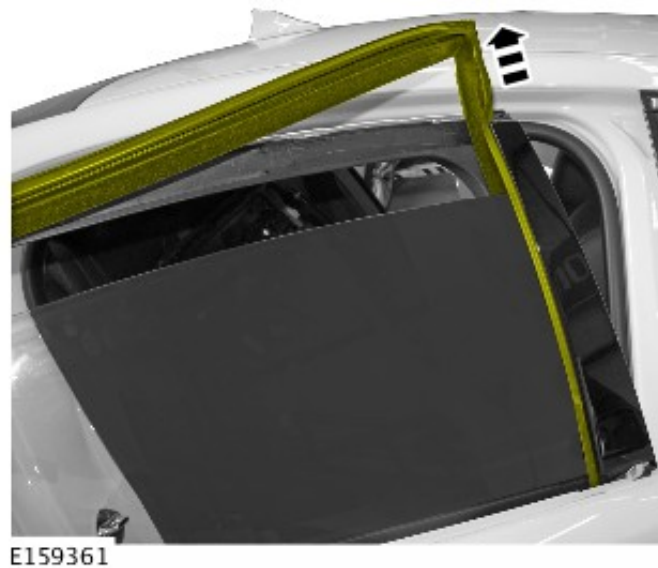
1. Remove the fixings (2).

2. Use a suitable tool to remove the rear door exterior trim.



**7** Remove the rear door trim panel (see TOPIx Workshop Manual, section 501-05).

**8** Remove the rear door glass seal.



**9** Position to one side the rear door glass to gain access to the rear door B-Pillar fixings (see TOPIx Workshop Manual, Section 501-11).

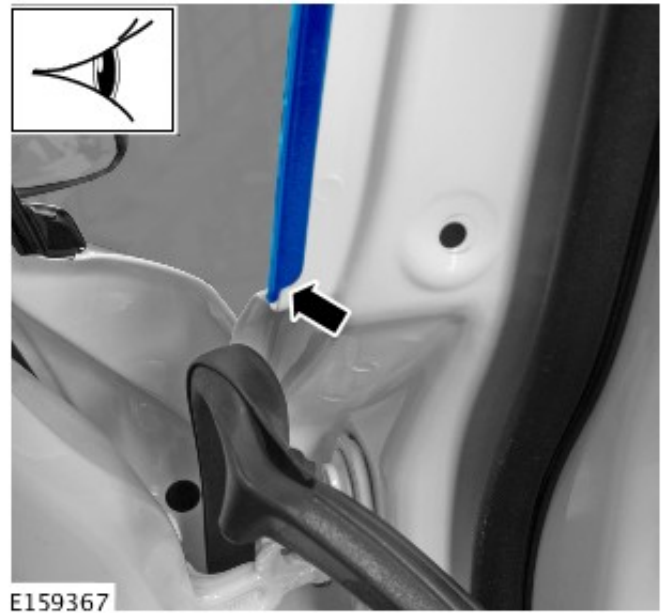
**10** Release the four fixings.



**11** Make sure the B-Pillar rear door exterior finisher is correctly located.

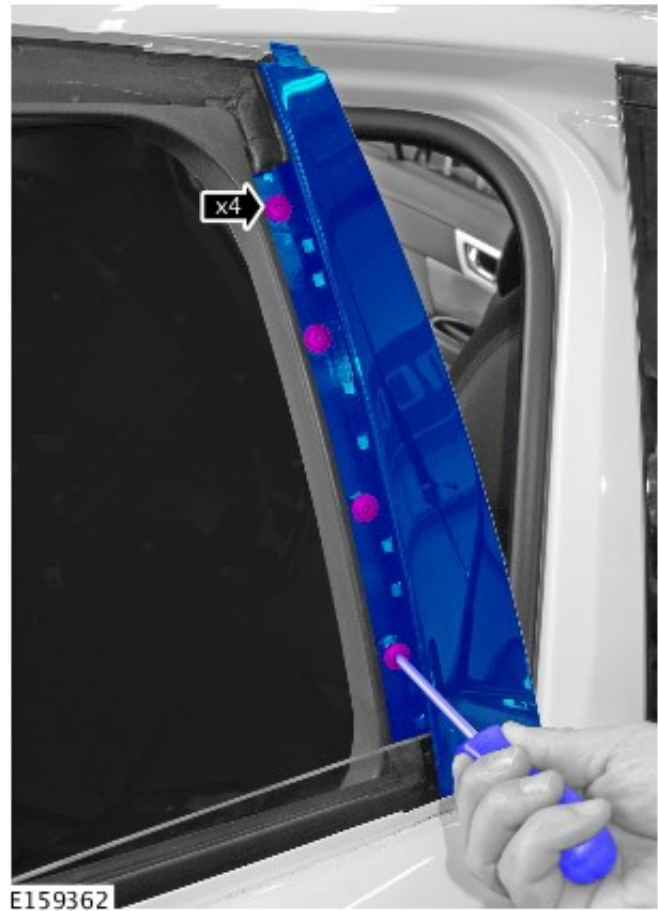


**12** Make sure the B-Pillar rear door exterior finisher is correctly located.



**13** Tighten the fixings.

- Torque: 1.3 Nm



**14** Install the rear door glass (see TOPIx Workshop Manual, Section 501-11).

**15** Install the rear door glass seal.


- Apply a suitable lubricant to allow easier installation of the rear door glass seal.





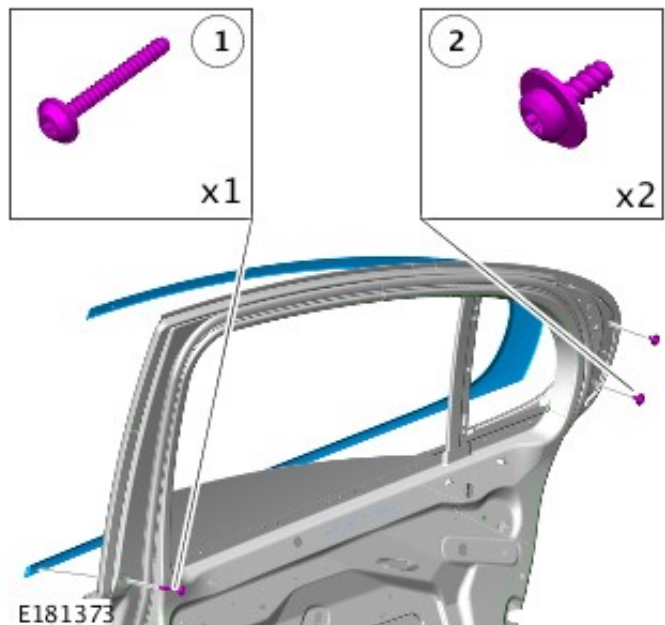
**16** Install the rear door trim panel (see TOPIx Workshop Manual, section 501-05).

**17**  **NOTE: only install a new component if there are visible signs of damage.**

 **NOTE: make sure the component is installed in the correct position.**

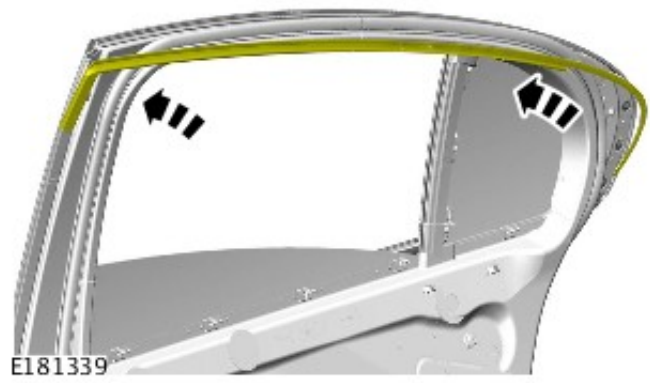
Install the rear door exterior finisher.

- Install the new rear door finisher short fixing (1).
- Install the rear door fixings (2).
- Torque: 2.1 Nm



**18** Install the rear door seal.





**19** Install the rear door cap, fixing and fixing cover.

- 1. Torque: 1.1 Nm

