



PARTS MANUAL BULLETIN

This Parts Manual Bulletin is prepared by the Publications Department of New Flyer Industries Canada ULC. Refer to details below.

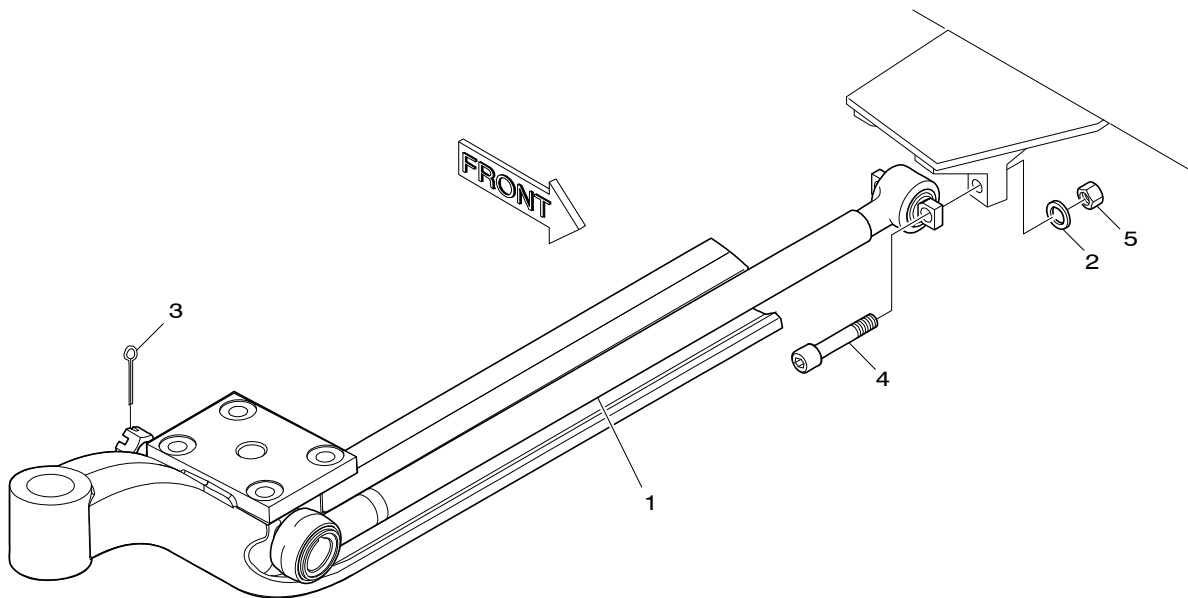
PMB-045

ISSUE DATE: Jul 02 2015

APPLICABILITY					
VEHICLE LENGTH	<input type="checkbox"/> 30ft.	<input type="checkbox"/> 35ft.	<input type="checkbox"/> 40ft.	<input type="checkbox"/> 60ft.	<input checked="" type="checkbox"/> ALL
VEHICLE TYPE	<input type="checkbox"/> High Floor	<input checked="" type="checkbox"/> Low Floor	<input type="checkbox"/> Invero®	<input type="checkbox"/> Xcelsior®	<input type="checkbox"/> ALL
FUEL TYPE	<input type="checkbox"/> Diesel	<input type="checkbox"/> Electric	<input type="checkbox"/> CNG	<input type="checkbox"/> LNG	<input checked="" type="checkbox"/> ALL
	<input type="checkbox"/> Diesel/Electric	<input type="checkbox"/> Gas/Electric	<input type="checkbox"/> Fuel Cell		
SUBJECT	Lateral Rod Installation & Assembly MAN V8-65L				
SECTION TITLE	1 - FRONT AXLE & SUSPENSION				
DETAILS	<p>This bulletin provides a revised OEM breakdown for the Lateral Rod and the Lateral Rod Repair Kit used on your New Flyer vehicle with MAN V8-65L axles.</p> <p>This information supercedes all prior information on this subject already provided in your New Flyer Manuals. Make this Parts Bulletin available to service personnel to inform them of changed information.</p>				



Lateral Rod
Installation
2030113c.v
f
2030113c.v
f



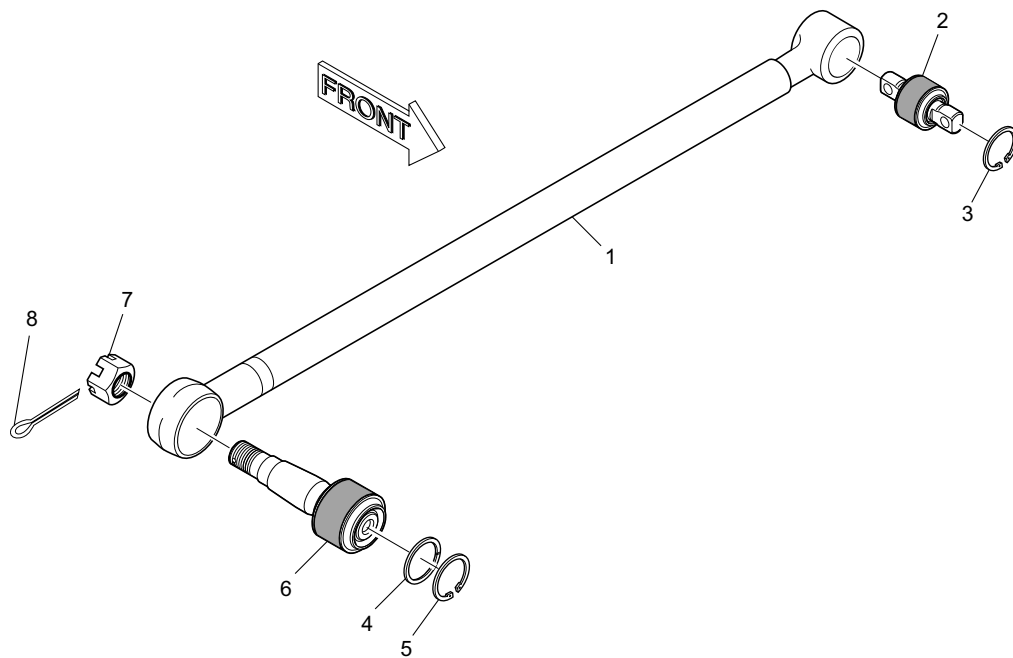


NEW FLYER

PARTS MANUAL BULLETIN PMB-045
DRAFT **LATERAL ROD INSTALLATION**

2030113C.WMF

ITEM	QTY	PART NUMBER	DESCRIPTION
1	1	018151	Lateral Rod, Front
1	1	018151NFA	<i>Lateral Rod, Front</i>
2	2	20W12000	Washer, Flat Hardened 3/4"
3	1	103312	Pin, Cotter
4	2	050867	Screw, Hex Head Cap 3/4" - 10 UNC x 3 1/2" Lg.
5	2	042439	Nut, Lock Prevailing Torque 3/4" - 10 UNC





NEW FLYER

PARTS MANUAL BULLETIN PMB-045
DRAFT
LATERAL ROD ASSEMBLY

P00001999E

ITEM	QTY	PART NUMBER	DESCRIPTION
1	1	018151	Lateral Rod Assembly, Front (Incl. 2...8)
<i>1</i>	<i>1</i>	<i>018151NFA</i>	<i>Lateral Rod Assembly, Front</i>
2	1	NSS	Bushing
3	1	NSS	Ring, Internal Snap
4	1	NSS	Ring, Lock
5	1	NSS	Ring, Internal Snap
6	1	NSS	Bushing
7	1	6342525	Nut, Castle M26 x 1.5
8	1	103312	Pin, Cotter
KIT	1	6313766	Lateral Rod Repair Kit - Curbside (Incl. 4...6)
<i>KIT</i>	<i>1</i>	<i>6313766NFA</i>	<i>Lateral Rod Repair Kit - Curbside (Incl. 4...8)</i>
KIT	1	6387366	Lateral Rod Repair Kit - Streetside (Incl. 2 & 3)